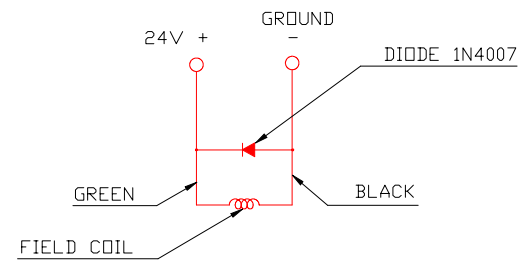
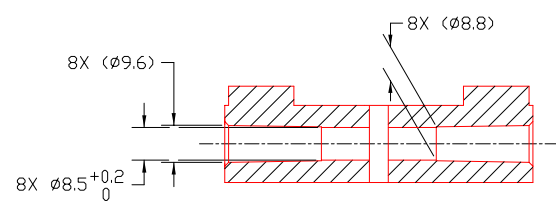


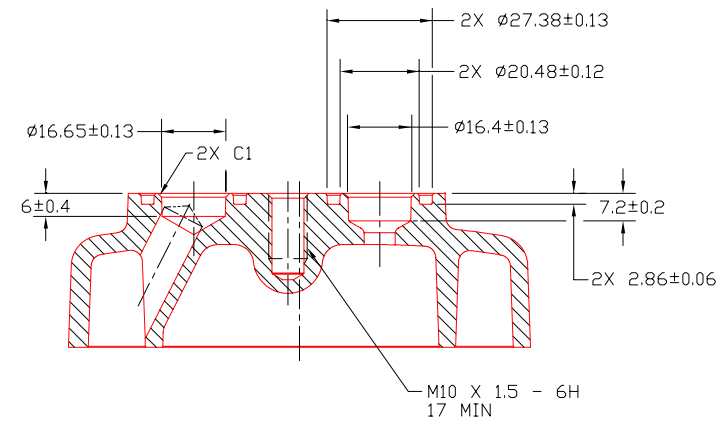
PDCN	REV	APPV DATE	REVISIONS	DWN	DSGN	CHK	APPV
2006310	A	11/20/06	INITIAL ISSUE REF. DWG. NO. A05M0-6000 REV. A PRV 4307-6470 WAS 4967-6470				
				DRL	RM	DRL	RM



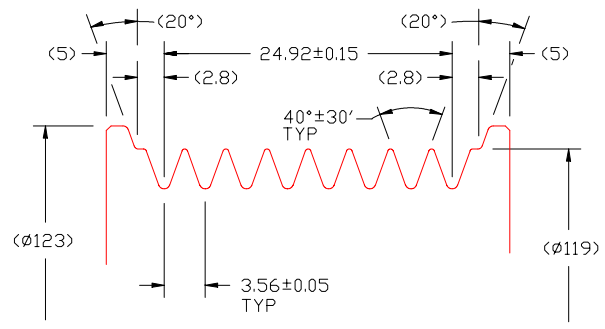
CIRCUIT DIAGRAM



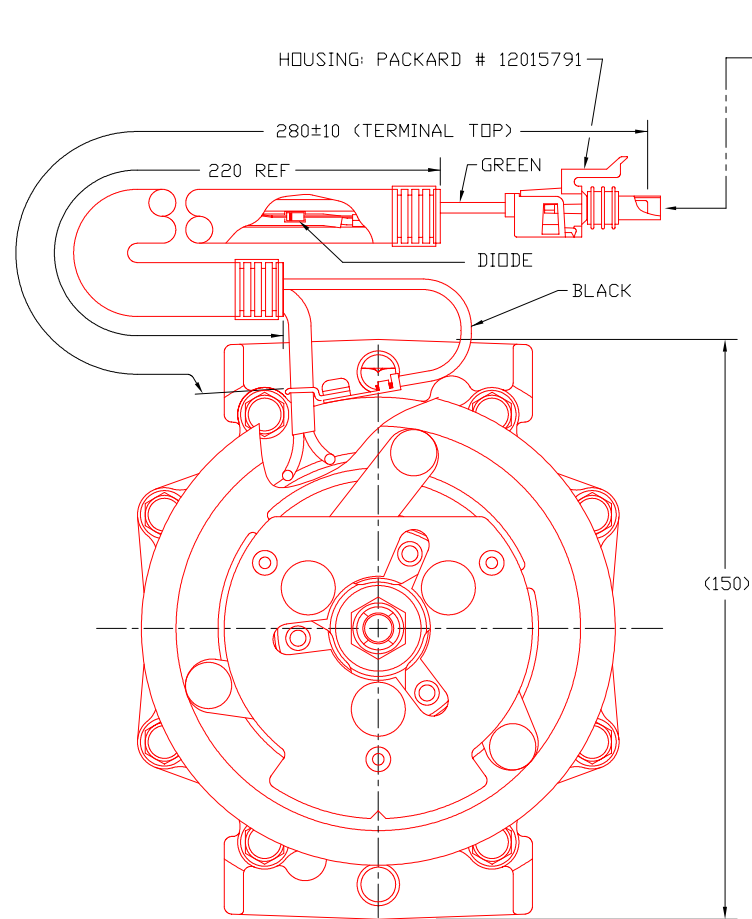
SECTION A-A



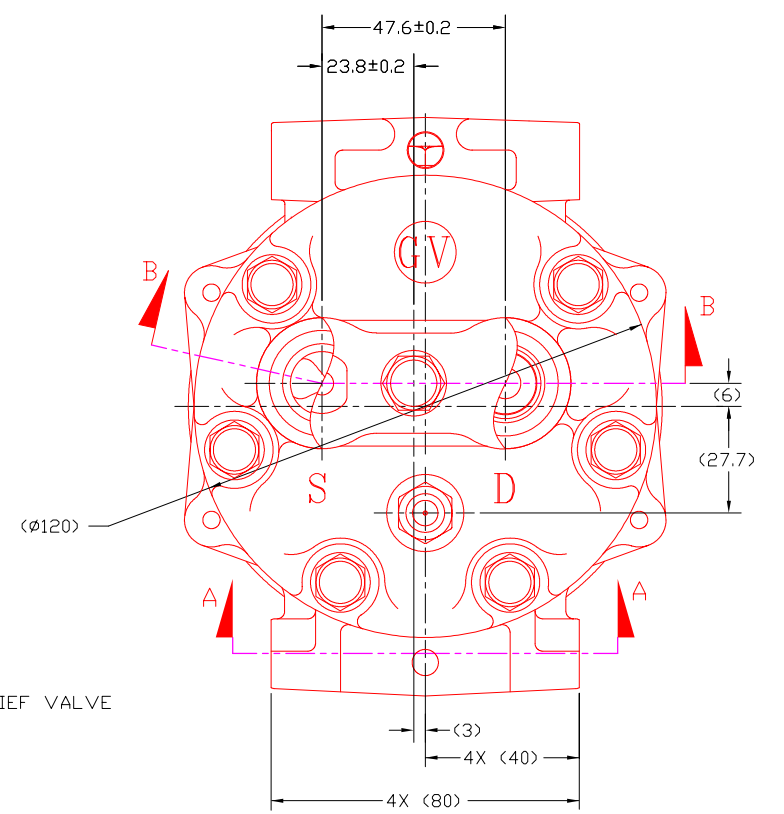
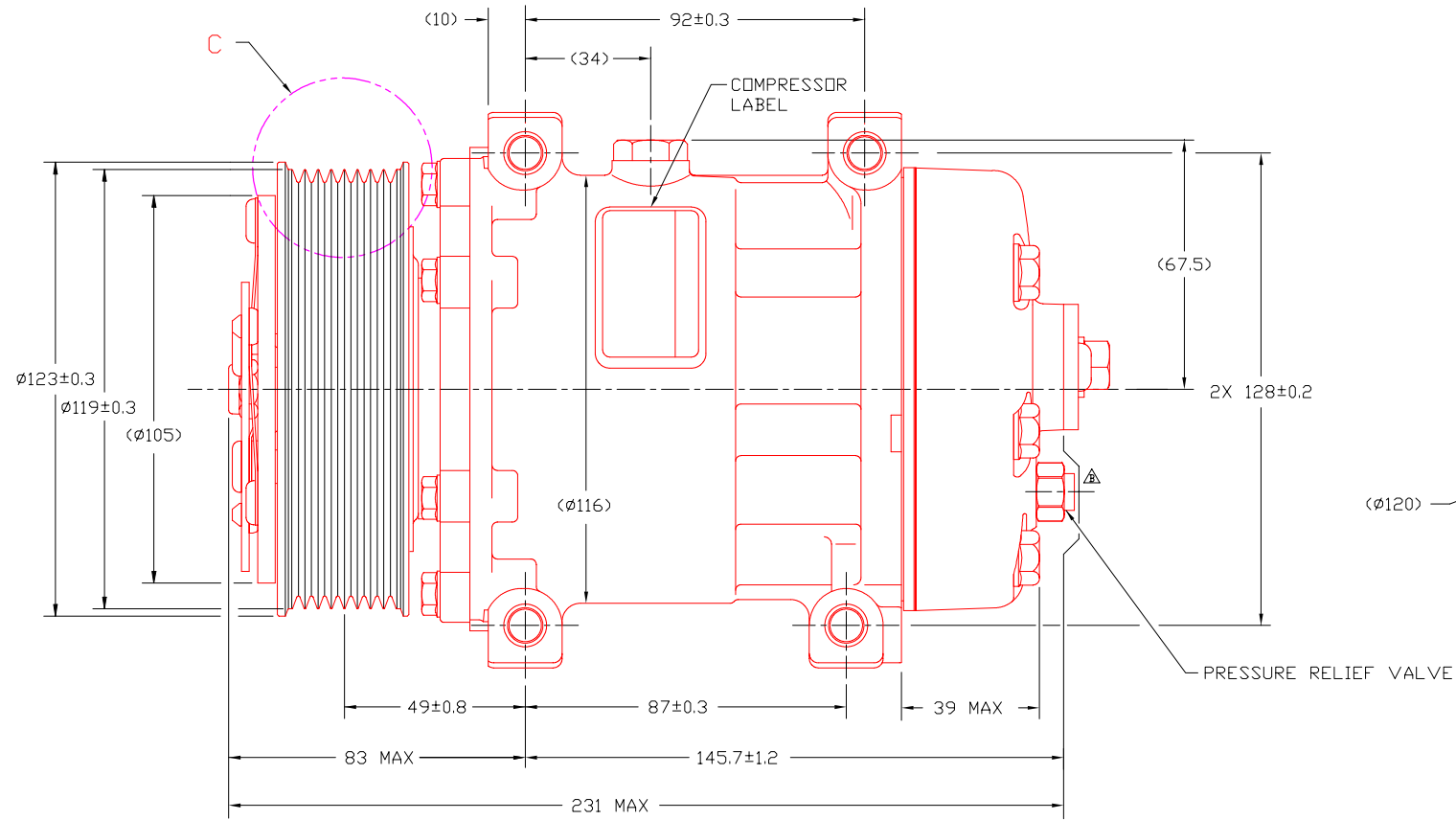
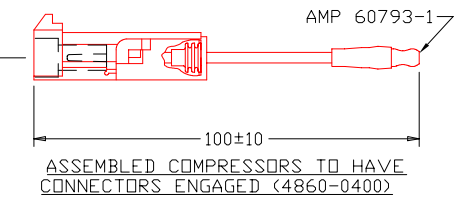
SECTION B-B  
(SECTION WITH O-RINGS, SHIPPING PAD ASSEMBLY, AND BOLT REMOVED)



DETAIL C  
SCALE: 3:1



CLOCKWISE ROTATION



COMPRESSOR SPECIFICATIONS

DISPLACEMENT PER REVOLUTION	154.9 cc / rev. ( 9.5cu.in. / rev. )
MAXIMUM ALLOWABLE SPEED	8000 R.P.M.
MAXIMUM ALLOWABLE CONTINUOUS SPEED	6000 R.P.M.
REFRIGERANT	R134a
OIL ( SP-15 )	200 cc ( 6.76 fl.oz. )

CLUTCH SPECIFICATIONS

RATED VOLTAGE	DC 24V
BREAKAWAY TORQUE	3.5 kgf-m min. @ 24V
MINIMUM ENGAGEMENT VOLTAGE	16V @ AIR GAP 0.6mm REF
POWER CONSUMPTION	34 watts max.
BELT TYPE	PV8 TYPE
MAXIMUM ALLOWABLE BELT TENSION	120 kgf
PULLEY DIAMETER	ø119 mm ( 4.69 in. )
CLUTCH TYPE	STANDARD

NOTE:  
1. N<sub>2</sub> HOLDING CHARGE DELETED.

DO NOT SCALE

		<b>SANDEN INTERNATIONAL ( U.S.A. ), INC.</b>	
REV. LEVEL A DWN: <i>Jimmy Sall</i> 1/15/05 CHK: <i>DRL HF</i> APPV: <i>Robert Sarover</i> 4/15/05 DATE: 4/15/05	RELEASED FOR: EMERG. DEVELOPMENT DSGN: <i>Jimmy Sall</i> 1/15/05 APPV: <i>Robert Sarover</i> 4/15/05 DATE: 4/15/05	DRAWN SCALE REF 1:1 PLOTTED SCALE REF 1:1 <b>METRIC</b>	INTERPRETATION OF THIS DRAWING PER <b>ASME Y14.5M-1994</b>
REV. LEVEL A DSGN: <i>Jimmy Sall</i> 1/15/05 APPV: <i>Robert Sarover</i> 4/15/05 DATE: 4/15/05	RELEASED FOR: DESIGN VALIDATION DSGN: <i>Jimmy Sall</i> 1/15/05 APPV: <i>Robert Sarover</i> 4/15/05 DATE: 4/15/05	THIRD ANGLE PROJECTION 	SIZE <b>D</b>
REV. LEVEL A DSGN: <i>Jimmy Sall</i> 1/15/05 APPV: <i>Robert Sarover</i> 4/15/05 DATE: 4/15/05	RELEASED FOR: PRODUCTION VAL'D. DSGN: <i>Jimmy Sall</i> 1/15/05 APPV: <i>Robert Sarover</i> 4/15/05 DATE: 4/15/05	MATERIAL: -	NAME <b>COMPRESSOR</b>
REV. LEVEL B DSGN: <i>A. ARMENDARIZ</i> APPV: <i>E. ARRIETA</i> DATE: 08/06/07	RELEASED FOR: PRODUCTION DSGN: <i>A. ARMENDARIZ</i> APPV: <i>E. ARRIETA</i> DATE: 08/06/07	DWG. NO. <b>4327-6000</b>	REV. <b>B</b>