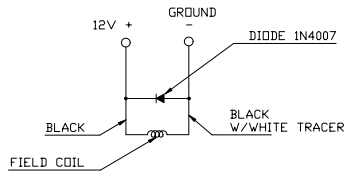
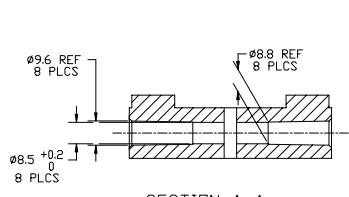


16 | 15 | 14 | 13 | 12 | 11 | 10 | 9 | 8 | 7 | 6 | 5 | 4 | 3 | 2 | 1

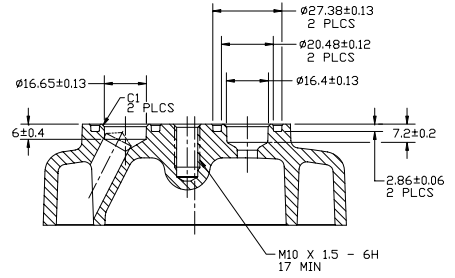
PCDN	REV.	APPLY DATE	REVISIONS	DWN	ESGN	CHK	APPV
000241	05/30/02	4945B WAS 4945S	INITIAL ISSUE				
000399	06/09/02	2788 WAS 2418 MAX 2462&26 WAS 148&16					



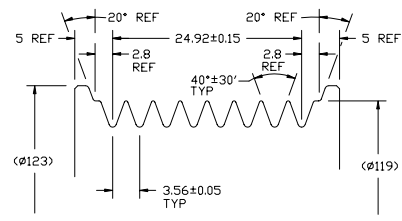
CIRCUIT DIAGRAM



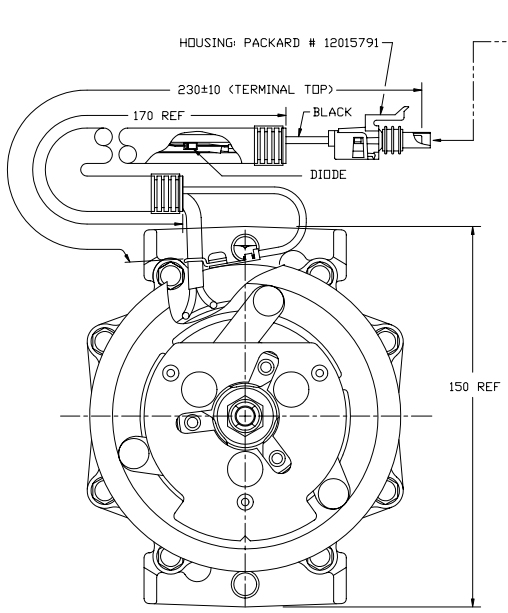
SECTION A-A



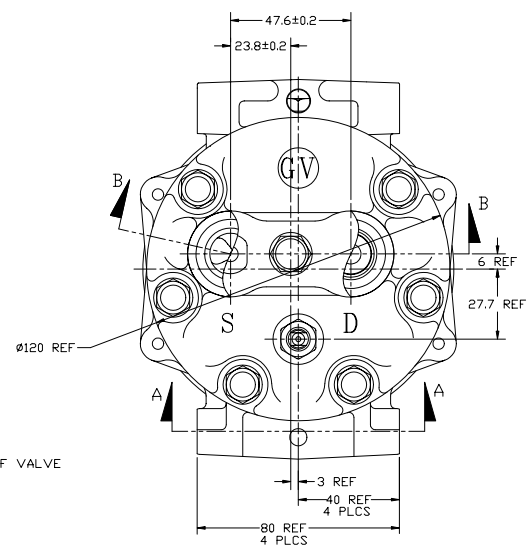
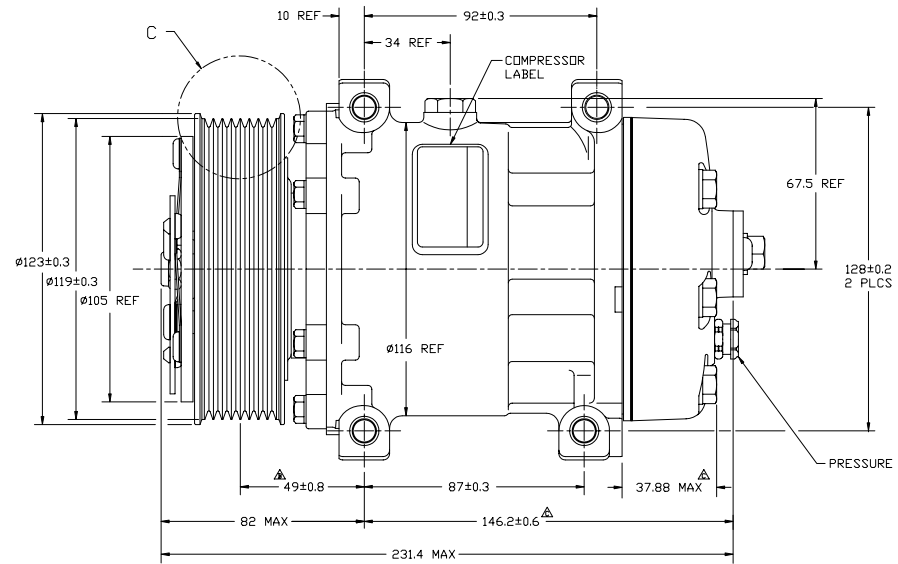
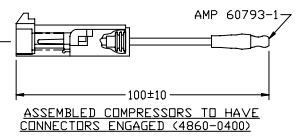
SECTION B-B
(SECTION WITH O-RINGS, SHIPPING PAD ASSEMBLY, AND BOLT REMOVED)



DETAIL C
SCALE: 3:1



CLOCKWISE ROTATION



COMPRESSOR SPECIFICATIONS

DISPLACEMENT PER REVOLUTION	154.9 cc / rev. (9.5cuin. / rev.)
MAXIMUM ALLOWABLE SPEED	8000 R.P.M.
MAXIMUM ALLOWABLE CONTINUOUS SPEED	6000 R.P.M.
REFRIGERANT	R134a
OIL (SP-15)	200 cc (6.76 floz.)

CLUTCH SPECIFICATIONS

RATED VOLTAGE	DC 12V
BREAKAWAY TORQUE	3.5 kgf-m min. @ 12V
MINIMUM ENGAGEMENT VOLTAGE	7.5V @ AIR GAP 0.6mm REF
POWER CONSUMPTION	49 watts max.
BELT TYPE	PV8 TYPE
MAXIMUM ALLOWABLE BELT TENSION	120 kgf
PULLEY DIAMETER	Ø119 mm (4.69 in.)
CLUTCH TYPE	STANDARD

NOTE:
1. N₂ HOLDING CHARGE DELETED.

REV. LEVEL	RELEASED FOR DESIGN DEVELOPMENT	 SANDEN INTERNATIONAL (U.S.A.), INC. <small>THIS DRAWING AND THE INFORMATION CONTAINED HEREON ARE CONFIDENTIAL AND PROPRIETARY TO SANDEN INTERNATIONAL (U.S.A.), INC. AND ARE NOT TO BE REPRODUCED OR TRANSMITTED IN ANY FORM OR BY ANY MEANS, ELECTRONIC OR MECHANICAL, WITHOUT THE WRITTEN PERMISSION OF SANDEN INTERNATIONAL (U.S.A.), INC.</small>	SCALE REF 1:1	PLATTER	SCALE REF 1:1	METRIC
A	APPLY. DATE: 05/30/02 DRAWN BY: J. Sullivan CHECKED BY: J. Sullivan		INTERPRETATION OF THIS DRAWING PER ASME Y14.5M-1994	SIZE	D	
REV. LEVEL	RELEASED FOR DESIGN VALIDATION					
B	APPLY. DATE: 01/16/02 DRAWN BY: J. Sullivan CHECKED BY: J. Sullivan	THIRD ANGLE PROJECTION				
REV. LEVEL	RELEASED FOR PRODUCTION VAL. S.	MATERIAL:				
B	APPLY. DATE: 01/16/02 DRAWN BY: J. Sullivan CHECKED BY: J. Sullivan	NAME:	COMPRESSOR			
REV. LEVEL	RELEASED FOR PRODUCTION	DWG. NO.	4420-6000		REV	C
B	APPLY. DATE: 01/16/02 DRAWN BY: J. Sullivan CHECKED BY: J. Sullivan					

DO NOT SCALE

16 | 15 | 14 | 13 | 12 | 11 | 10 | 9 | 8 | 7 | 6 | 5 | 4 | 3 | 2 | 1