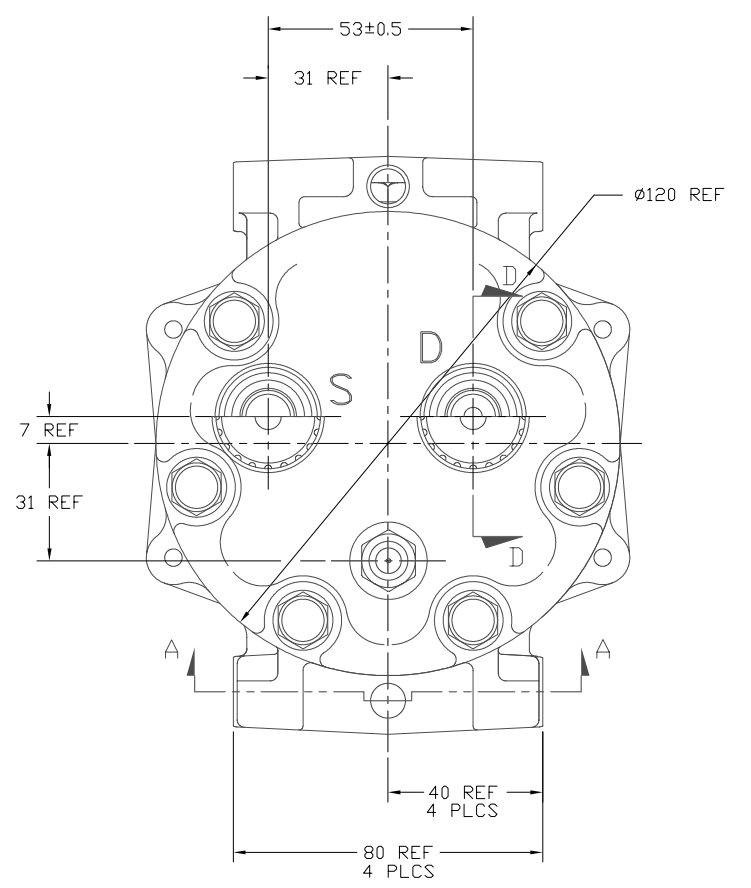
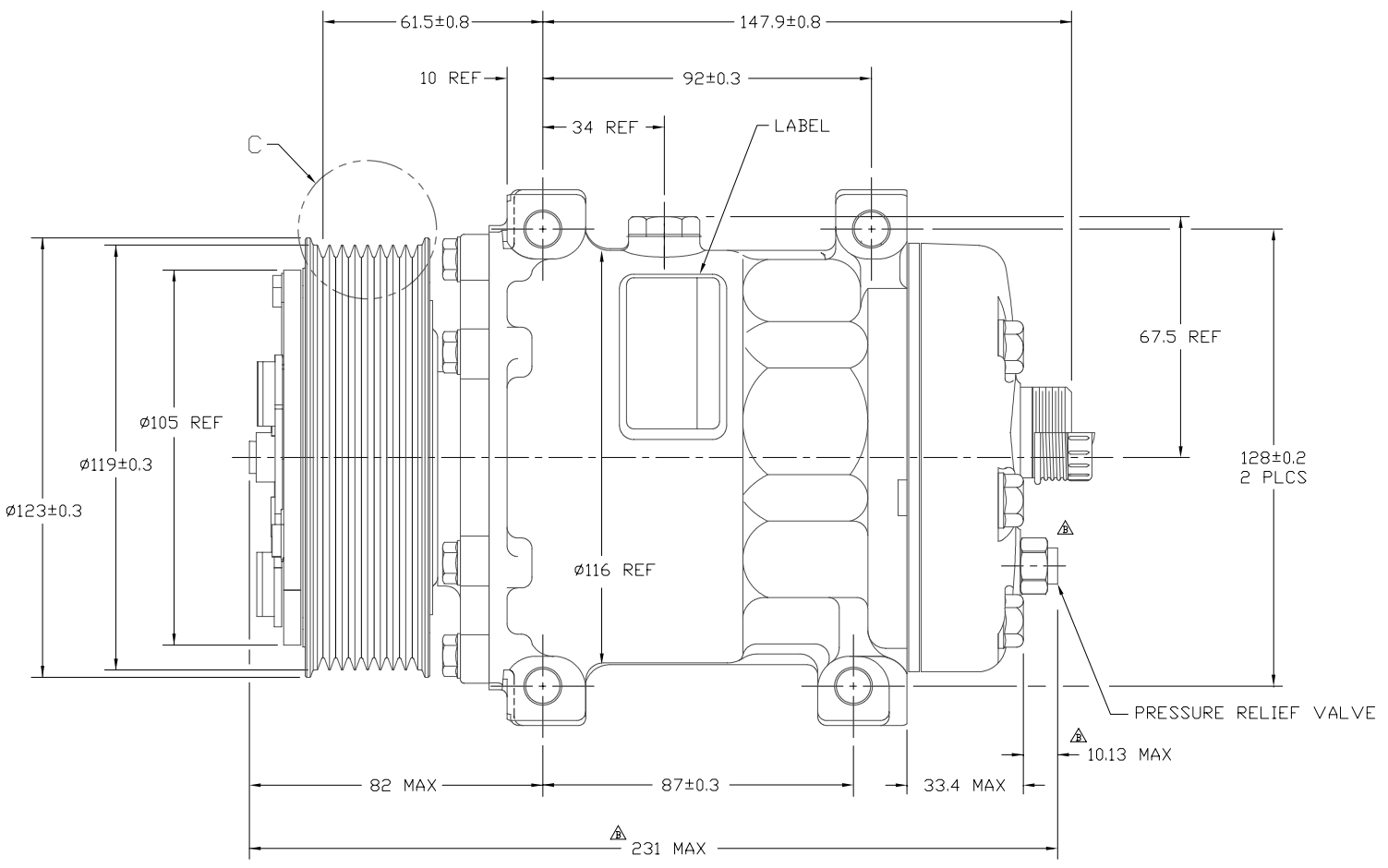
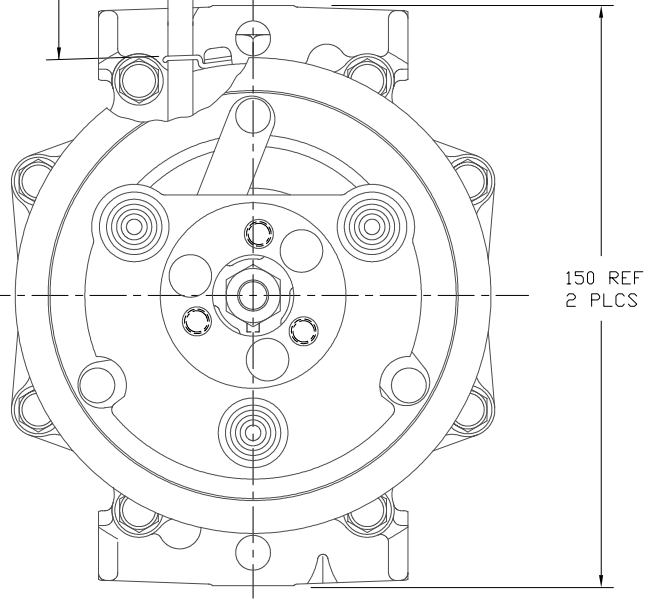
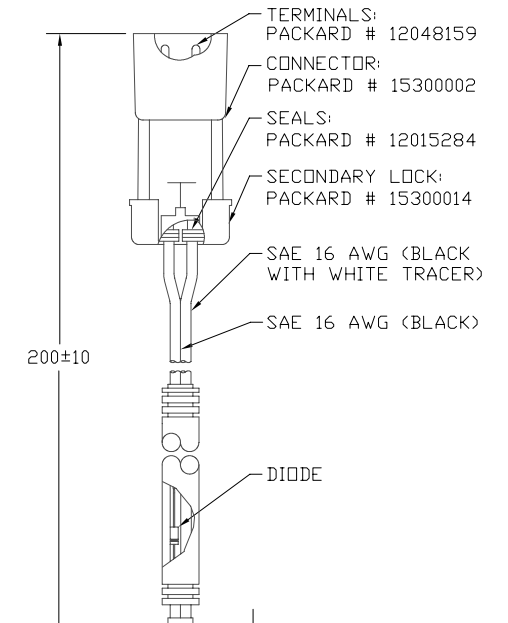
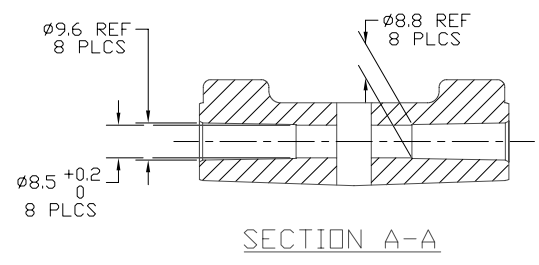
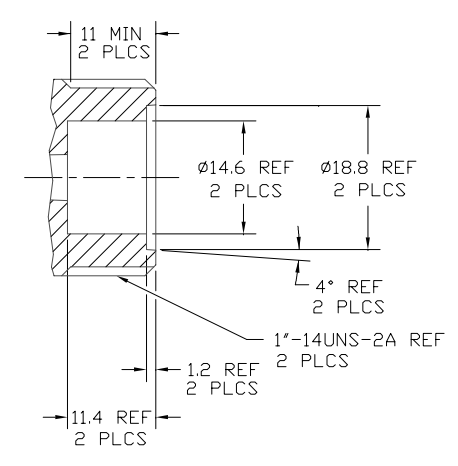
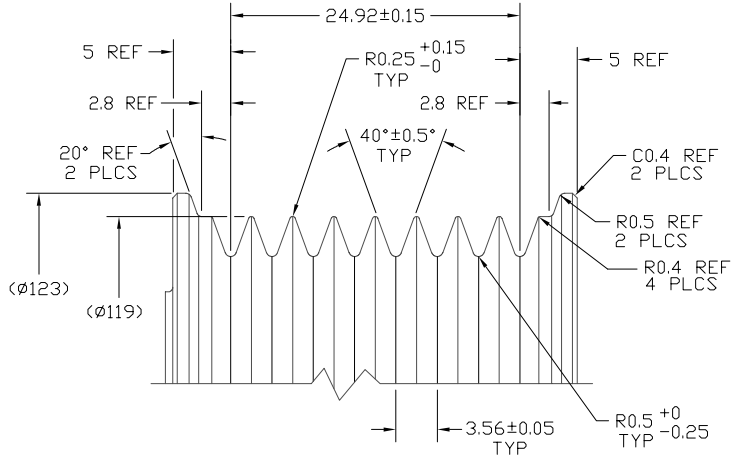
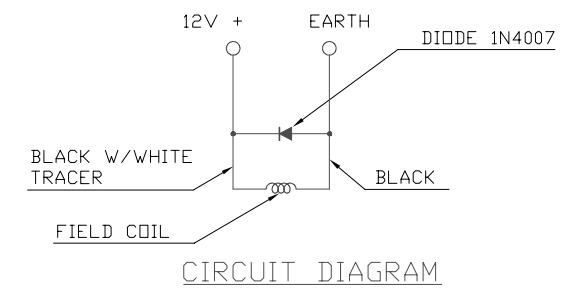
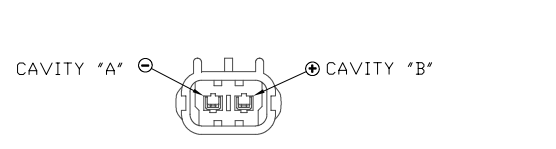


PDCN	REV.	APPV DATE	REVISIONS	DWN	DSGN	CHK	APPV
2006310	1	01/25/07	INITIAL ISSUE				
			1013 MAX WAS 913 MAX; 231 MAX WAS 230 MAX				
			PRV CHANGE: 4307-6470 WAS 4967-6470	RSR	JW	DRL	RM



COMPRESSOR SPECIFICATIONS (REF)

DISPLACEMENT PER REVOLUTION	154.9 cc / rev. (9.5cu.in. / rev.)
MAXIMUM ALLOWABLE R.P.M.	8000 R.P.M.
MAXIMUM ALLOWABLE CONTINUOUS R.P.M.	6000 R.P.M.
REFRIGERANT	R134a
OIL (SP-15)	300 cc (10.1 fl.oz.)

CLUTCH SPECIFICATIONS (REF)

RATED VOLTAGE	DC 12V
BREAKAWAY TORQUE	3.5 kgf-m min. @ 12V
MINIMUM ENGAGEMENT VOLTAGE	7.5V @ AIR GAP 0.6mm
POWER CONSUMPTION	49 watts max.
BELT TYPE	PV8 TYPE
MAXIMUM ALLOWABLE BELT TENSION	120 kgf
PULLEY DIAMETER	Ø119 mm (4.68 in.)
CLUTCH TYPE	HEAVY DUTY

REV. LEVEL	RELEASED FOR: ENG'G DEVELOPMENT	<p>SANDEN INTERNATIONAL (U.S.A.), INC.</p>
DWN	KS HIF	
CHK	Mark Harrington	DRAWN SCALE REF 1:1 PLOTTED SCALE REF NONE METRIC
APPV.	NB JC	<p>This drawing and the information contained hereon are CONFIDENTIAL and PROPRIETARY to Sanden International (U.S.A.), Inc., are received in CONFIDENCE and shall not be used, copied, or disclosed to others without the written permission of Sanden International (U.S.A.), Inc.</p>
DATE	4/12/04	
REV. LEVEL	RELEASED FOR: DESIGN VALIDATION	INTERPRETATION OF THIS DRAWING PER ASME Y14.5M-1994
DWN	KS HIF	THIRD ANGLE PROJECTION
APPV.	NB JC	SIZE D
DATE	4 13 2004	
REV. LEVEL	RELEASED FOR: PRODUCTION VAL'D.	MATERIAL: -
DWN	Mark Harrington	
APPV.	NB JC	NAME
DATE	4 13 2004	COMPRESSOR
REV. LEVEL	RELEASED FOR: PRODUCTION	DWG. NO.
DWN	Mark Harrington	4482-6000
APPV.	NB JC	REV
DATE	4 13 2004	B

DO NOT SCALE