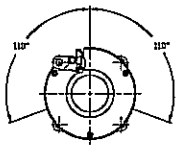
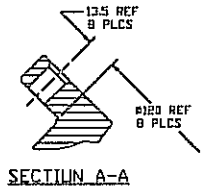


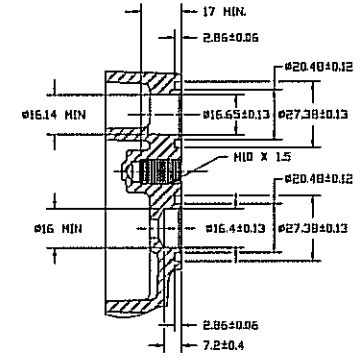
FORM NO.	REV.	DATE	REVISIONS	ENR	ECN	CHK	APPV.
			INITIAL RELEASE				



MOUNTING WINDOW

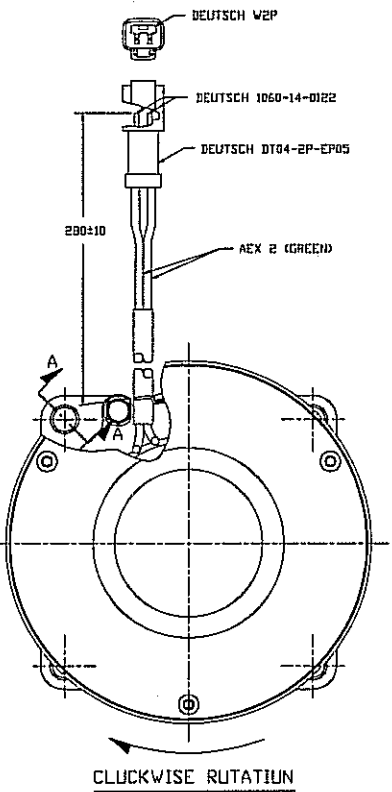


SECTION A-A



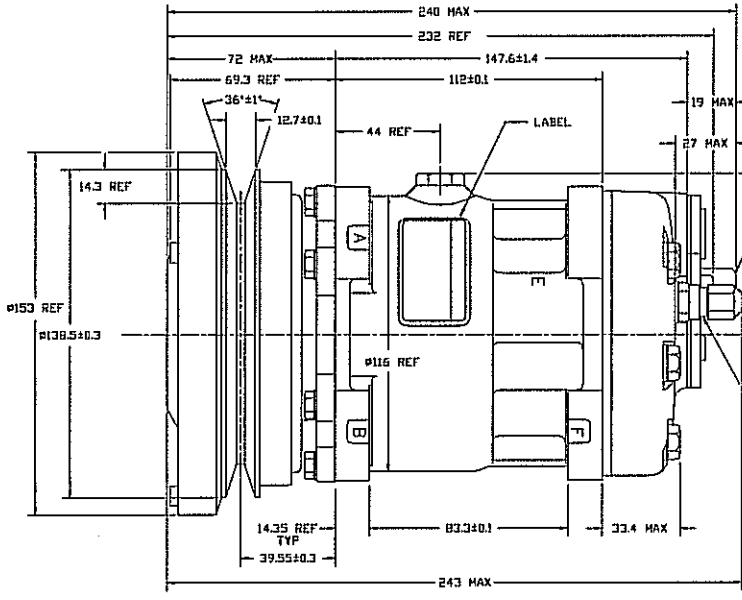
SECTION C-C

(SECTION WITH O-RINGS, SHIPPING PAD ASSEMBLY, AND BOLT REMOVED)



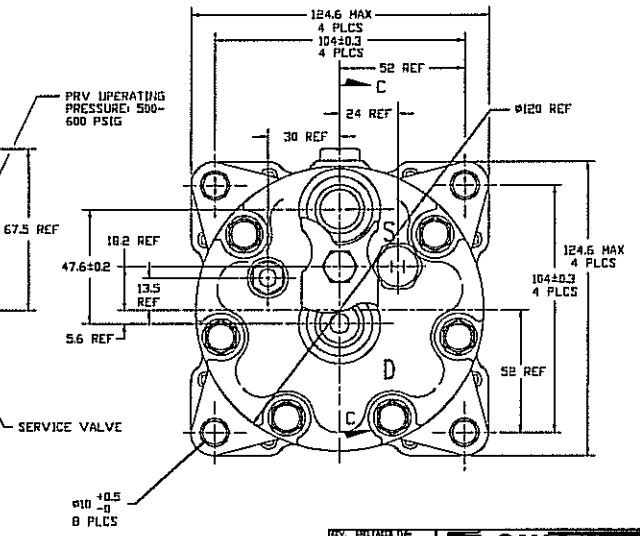
COMPRESSOR SPECIFICATIUNS

DISPLACEMENT PER REVOLUTION	154.9 cc / rev. (9.5cuin. / rev.)
MAXIMUM ALLOWABLE R.P.M.	4000 R.P.M.
MAXIMUM ALLOWABLE CONTINUOUS R.P.M.	4000 R.P.M.
REFRIGERANT	R134a
UL C-SP-15	300 cc (10.1 FLoz.)
WEIGHT	7.4 kg (16.4 lb.)



CLUTCH SPECIFICATIUNS

RATED VOLTAGE	DC 24V
BREAKAWAY TORQUE	3.5 kgF-m min. @ 24V
MINIMUM ENGAGEMENT VOLTAGE	16V @ AIR GAP 0.6mm REF
POWER CONSUMPTION	40 watts max.
BELT TYPE	A TYPE
MAXIMUM ALLOWABLE BELT TENSION	60 kgF
PULLEY DIAMETER	Ø138.5mm (5.453 in.)
CLUTCH TYPE	SEALED HEAVY DUTY



SANDÉN SANDÉN INTERNATIONAL, U.S.A., INC. 11111 METRIC	
DATE: 1/11/81 REV: 1 APPV: 1 DATE: 4/13/81	THIS DRAWING AND THE INFORMATION CONTAINED HEREIN ARE CONFIDENTIAL AND PROPRIETARY TO SANDÉN. NO PART OF THIS DRAWING IS TO BE REPRODUCED OR TRANSMITTED IN ANY FORM OR BY ANY MEANS, ELECTRONIC OR MECHANICAL, INCLUDING PHOTOCOPYING, RECORDING, OR BY ANY INFORMATION STORAGE AND RETRIEVAL SYSTEM, WITHOUT THE WRITTEN PERMISSION OF SANDÉN INTERNATIONAL (U.S.A.), INC. INTERPRETATION OF THIS DRAWING PER ASME Y14.5M-1994 THIS IS A SINGLE PROJECTION TITLE: COMPRESSOR P/N: 4468-6000 REV: A

DJI
NLT
SCALE