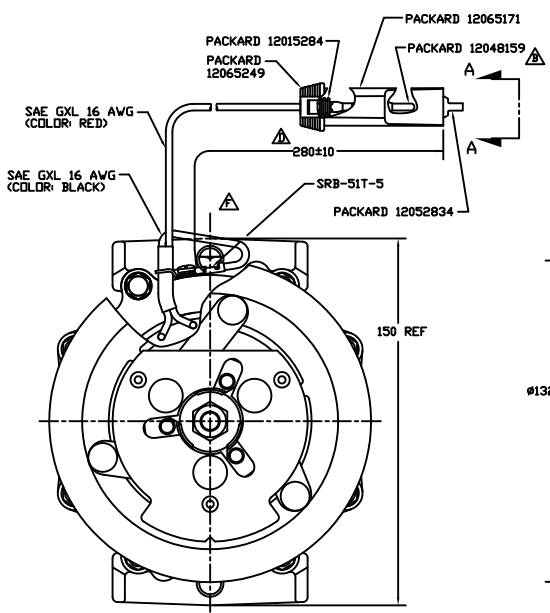
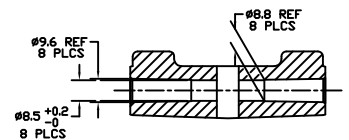
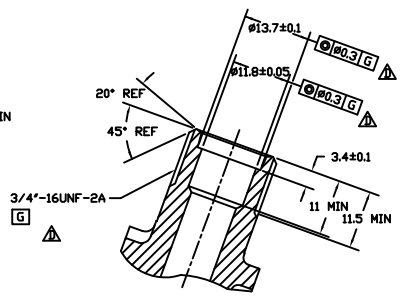
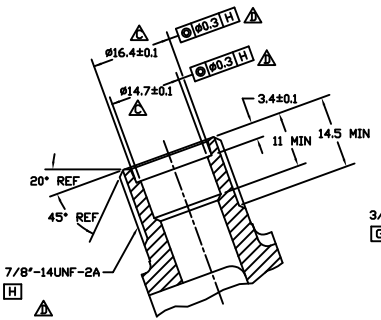
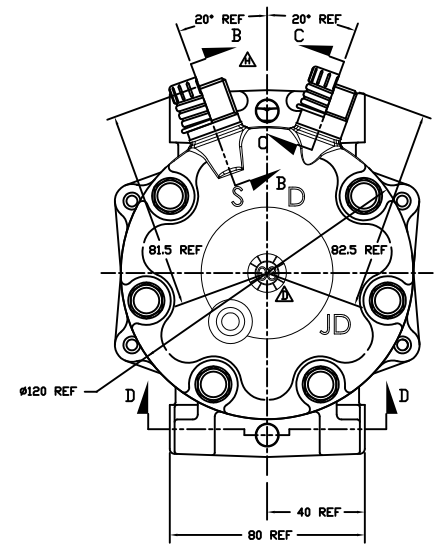
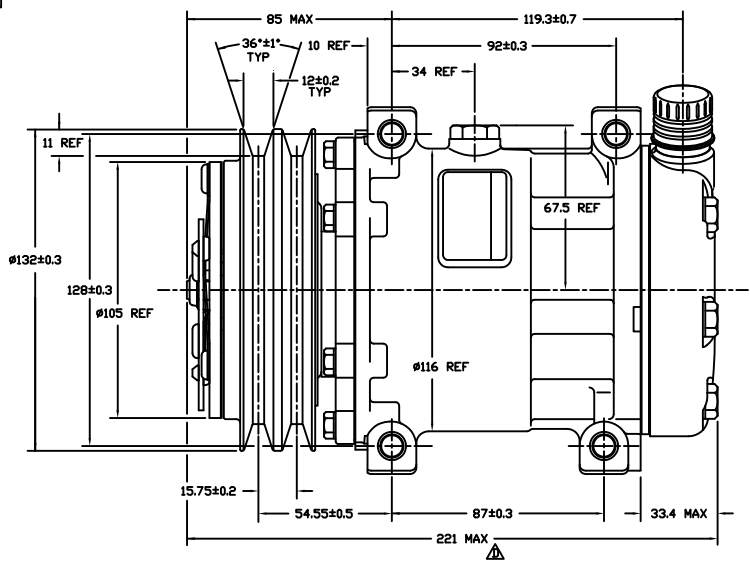


PNL NO.	REV.	DATE	REVISIONS	ENR	DRW	CHK	APPV
93-073	△	3/11/93	DELETED P.T. NO. 888597 FROM LABEL	PV	JRL	EMA	JB
94330	△	5/9/94	CHANGED TERMINAL P.W. WAS 3248999 NEW 3248999	RH	RH	FK	EMA
94327	△	6/10/94	#47381 WAS #46886L	RH	JON	JON	EMA
94943	△	1/28/96	ADDED CONCENTRICITY SPEC. UPDATED TO CURRENT STANDARDS	RH	DD	DRL	EMA
94944	△	1/28/96	ADDED HITE 1 ADDED PROTECTIVE TUBE LENGTH	RH	CBA	DRL	EMA
94945	△	1/28/96	ADDED HITE 1 ADDED PROTECTIVE TUBE LENGTH	RH	LN	DRL	DD
99887	△	4/23/99	CHANGED TO SINGLE FIELD COIL	RH	LN	DRL	DD
99887	△	11/29/01	REVISED BINDER DEL. GP-ED WAS DEL. GP-80	DKC	JEC	JUREZ	JAY
99887	△	7/15/00	UPDATED TO REFLECT LATEST REVISIONS OF CYL. HEAD 7385-8428	TG	AA	SN	DK



CLOCKWISE ROTATION



COMPRESSOR SPECIFICATIONS

DISPLACEMENT PER REVOLUTION	154.9 cc / rev. (9.5cuin. / rev.)
MAXIMUM ALLOWABLE R.P.M.	8000 R.P.M.
MAXIMUM ALLOWABLE CONTINUOUS R.P.M.	6000 R.P.M.
REFRIGERANT	R134a
OIL (SP-15)	300 cc (10.1 floz.)
WEIGHT	7.4 kg (16.4 lb.)

CLUTCH SPECIFICATIONS

RATED VOLTAGE	DC 12V
BREAKAWAY TORQUE	3.5 kgf-m min. @ 12V
MINIMUM ENGAGEMENT VOLTAGE	7.5V @ AIR GAP 0.6mm REF
POWER CONSUMPTION	49 watts max.
BELT TYPE	A TYPE
MAXIMUM ALLOWABLE BELT TENSION	60 kgf PER BELT
PULLEY DIAMETER	φ132 mm (5.2 in.)
CLUTCH TYPE	HEAVY DUTY

NOTE:

- [G] AND [H] ARE THE OUTSIDE DIAMETERS OF 3/4"-16UNF-2A AND 7/8"-14UNF-2A, RESPECTIVELY.

DO NOT SCALE

SANDEN INTERNATIONAL (U.S.A.), INC. 11111 METRIC	
This drawing and the information contained herein are the property of Sanden International (U.S.A.), Inc. and are to be used only for the specific application and under the terms of the license agreement between Sanden International (U.S.A.), Inc. and the licensee.	
INTERPRETATION OF THIS DRAWING PER ASME Y14.5M-1994	THIRD ANGLE PROJECTION
NAME SD7H15JD4626 COMPRESSOR	SIZE D
PNL NO. 4626-6000	REV H