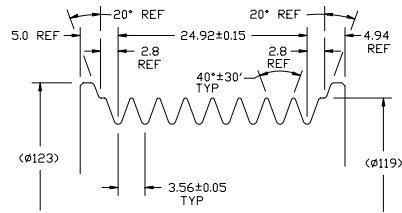
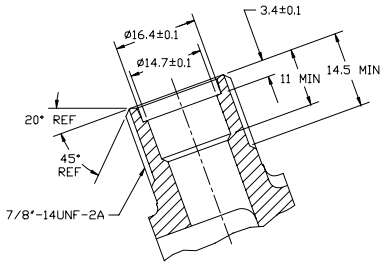


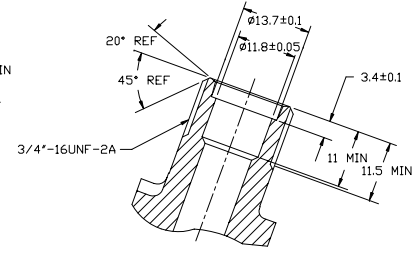
PCN	REV.	APPV. DATE	REVISIONS	DVN	ESGN	CHK	APPV.
			INITIAL ISSUE				
99190	Δ	5/3/79	CHANGE FROM MONOPHASE TO BIPHASE FIELD COIL. ADDED COMPRESSOR LABEL.	JV	LM	DRL	DD
200340	Δ	11/1/88	DEL. SP-15 WAS SP-80	JS	LK	DRL	MY
200349	Δ	12/4/93	120 kgf WAS 105 kgf	JS	HF	DRL	RG



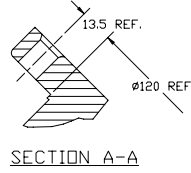
**DETAIL C**  
SCALE: 3:1



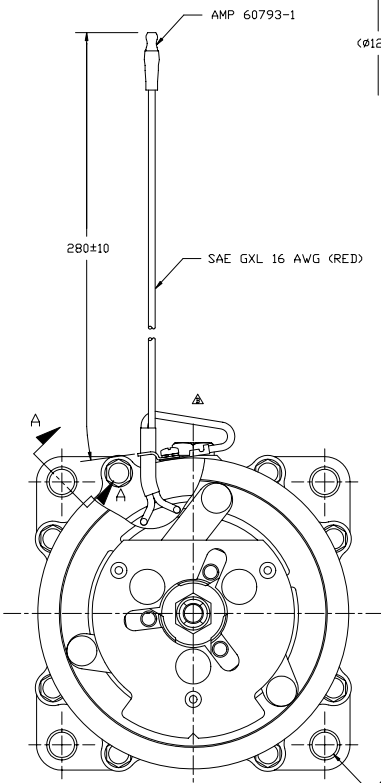
**SECTION E-E**  
SCALE: 2:1  
(SECTION SHOWN WITH SEAL CAP REMOVED)



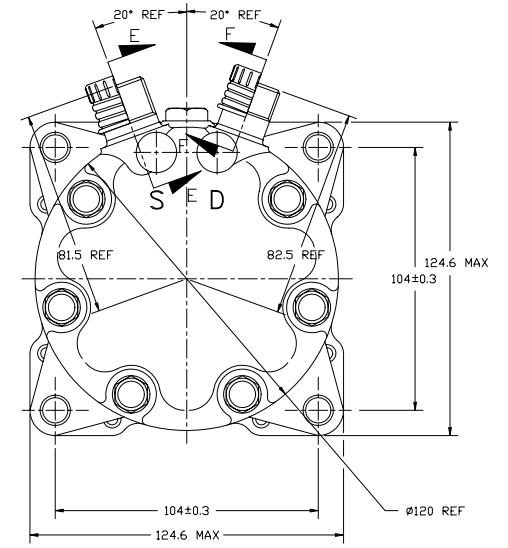
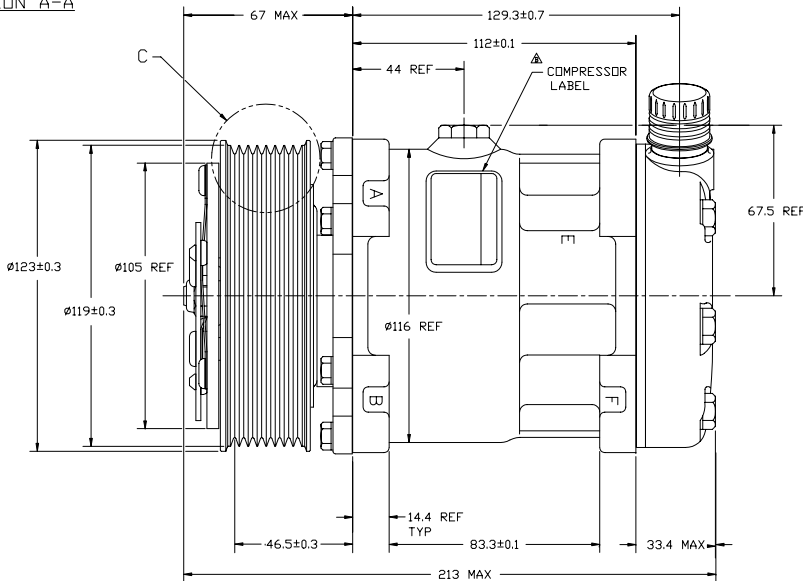
**SECTION F-F**  
SCALE: 2:1  
(SECTION SHOWN WITH SEAL CAP REMOVED)



**SECTION A-A**



CLOCKWISE ROTATION



**COMPRESSOR SPECIFICATIONS**

DISPLACEMENT PER REVOLUTION	154.9 cc / rev. ( 9.5cuin. / rev. )
MAXIMUM ALLOWABLE R.P.M.	8000 R.P.M.
MAXIMUM ALLOWABLE CONTINUOUS R.P.M.	6000 R.P.M.
REFRIGERANT	R134a
Δ OIL ( SP-15 )	135 cc ( 4.5 floz. )
WEIGHT	7.2 kg ( 15.9 lb )

**CLUTCH SPECIFICATIONS**

RATED VOLTAGE	DC 12V
BREAKAWAY TORQUE	3.5 kgf-m min. @ 12V
MINIMUM ENGAGEMENT VOLTAGE	7.5V @ AIR GAP 0.6mm REF.
POWER CONSUMPTION	49 watts max.
BELT TYPE	PV8
MAXIMUM ALLOWABLE BELT TENSION	120 kgf Δ
PULLEY DIAMETER	Ø119 mm ( 4.69 in. )
CLUTCH TYPE	STANDARD

REV. LEVEL	RELEASED FOR PRODUCTION	 SANDEN INTERNATIONAL (U.S.A.), INC.	DRAWN BY: <u>          </u> SCALE REF: 1:1 CHECKED BY: <u>          </u> SCALE REF: 1:1 METRIC
A~	DESIGN DEVELOPMENT		This drawing and the information contained herein are CONFIDENTIAL and PROPRIETARY to Sanden International (U.S.A.), Inc. and shall not be used, copied, or disclosed to others without the written permission of Sanden International (U.S.A.), Inc.
B	DESIGN VALIDATION	INTERPRETATION OF THIS DRAWING PER ASME Y14.5M-1994 THIRD ANGLE PROJECTION 	MATERIAL: <u>          </u> NAME: <u>          </u> COMPRESSOR
A~	DESIGN DEVELOPMENT		REV. NO.: <u>          </u> 4711-6000 REV. D

DO NOT SCALE