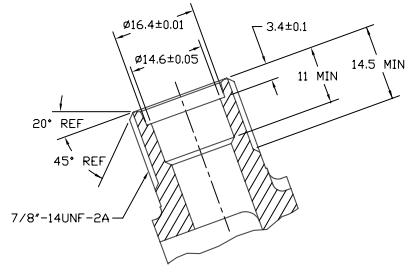
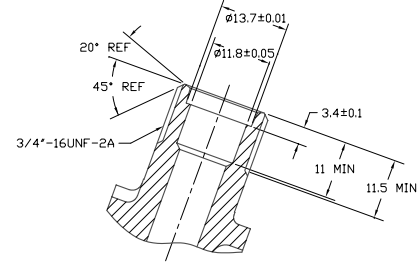


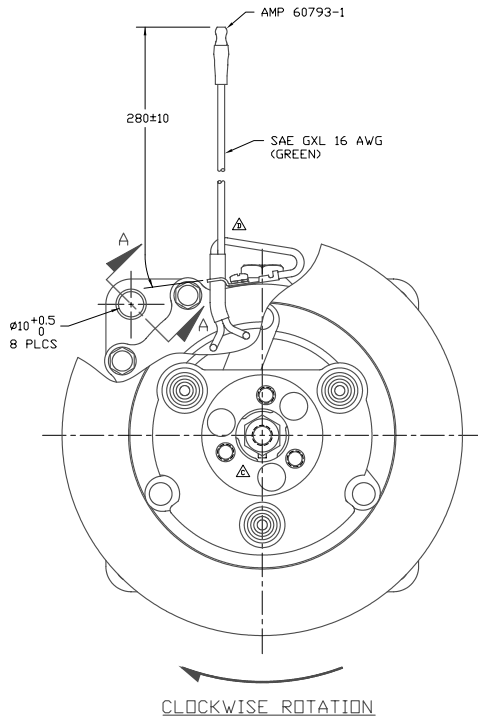
SECTION A-A



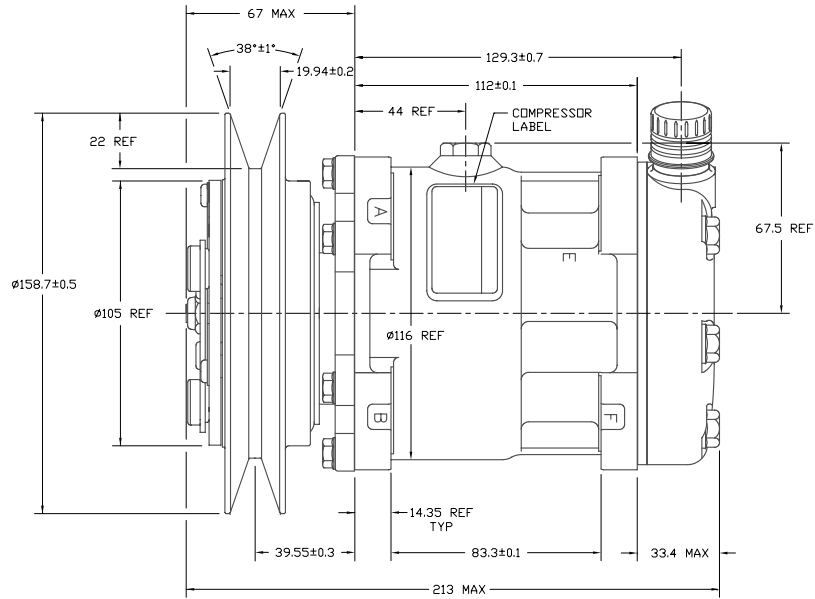
SECTION B-B  
SCALE: 2:1  
(SECTION SHOWN WITH  
SEAL CAP REMOVED)



SECTION C-C  
SCALE: 2:1  
(SECTION SHOWN WITH  
SEAL CAP REMOVED)

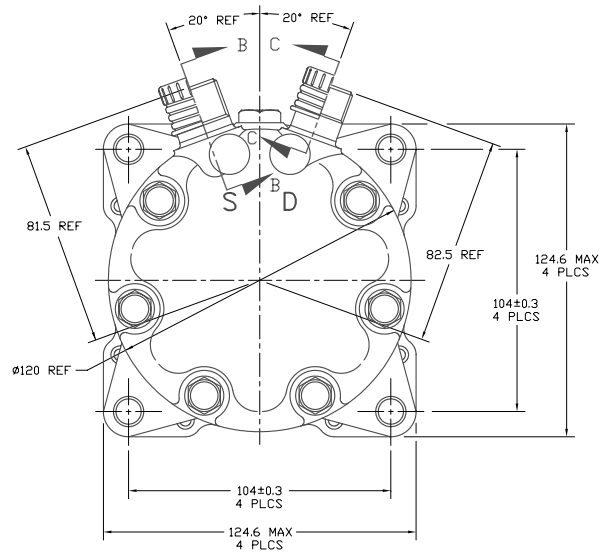


CLOCKWISE ROTATION



CLUTCH SPECIFICATIONS (REF)

RATED VOLTAGE	DC 24V
BREAKAWAY TORQUE	3.5 kgf-m min. @ 24V
MINIMUM ENGAGEMENT VOLTAGE	16V @ AIR GAP 0.6mm
POWER CONSUMPTION	42 watts max.
BELT TYPE	C TYPE
MAXIMUM ALLOWABLE BELT TENSION	60 kgf per belt
PULLEY DIAMETER	158.75mm ( 6.25 in. )
CLUTCH TYPE	HEAVY DUTY



COMPRESSOR SPECIFICATIONS (REF)

DISPLACEMENT PER REVOLUTION	154.9 cc / rev. ( 9.5 cuin. / rev. )
MAXIMUM ALLOWABLE R.P.M.	6000 R.P.M.
MAXIMUM ALLOWABLE CONTINUOUS R.P.M.	4000 R.P.M.
REFRIGERANT	R134a
OIL ( SP-15 )	175 cc ( 5.9 floz. )

PICN	REV.	APPV.	DATE	REVISIONS	DWN	ESGN	CHK	APPV.
000340	1			INITIAL RELEASE				
000340	2			REF. DRAWING ATX-6000 REV. 1.				
000297	1		11/19/93	OIL CSP-15 WAS OIL CSP-200	DKC	LK	DRL	MY
				UPDATED BOOKS				
000297	2		04/04/93	CHANGED TO KEYED RDA	RSR	HF	DRL	RC
000602	1		3/20/96	CHANGED FIELD COIL ASSY FROM 6716-6040 TO 6775-6040	RSR	HF	DRL	YN

RELEASED FOR DESIGN DEVELOPMENT	<p>SANDEN INTERNATIONAL, U.S.A., INC.</p>	SCALE REF 1:1	PLOTTED
DESIGN		SCALE REF 1:1	METRIC
APPV. DATE	<p>THIS DRAWING AND THE INFORMATION CONTAINED HEREON ARE CONFIDENTIAL AND PROPRIETARY TO SANDEN INTERNATIONAL (U.S.A.), INC. AND ARE TO BE KEPT IN CONFIDENCE AND NOT TO BE REPRODUCED OR DISCLOSED TO OTHERS WITHOUT THE WRITTEN PERMISSION OF SANDEN INTERNATIONAL (U.S.A.), INC.</p>	<p>INTERPRETATION OF THIS DRAWING PER ASME Y14.5M-1994</p>	
RELEASED FOR DESIGN VALIDATION	<p>THIRD ANGLE PROJECTION</p>	SIZE	D
DESIGN	MATERIAL:		
RELEASED FOR PRODUCTION VAL. 3.	NAME:	SD7H15JD4745	
DESIGN	COMPRESSOR		
RELEASED FOR PRODUCTION	DWG. NO.	4745-6000	
DESIGN	REV	D	
APPV. DATE			

DO NOT SCALE