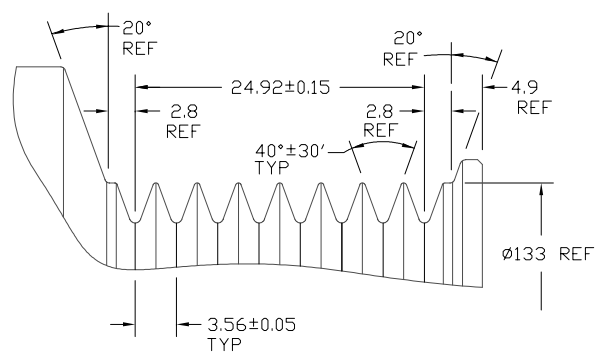
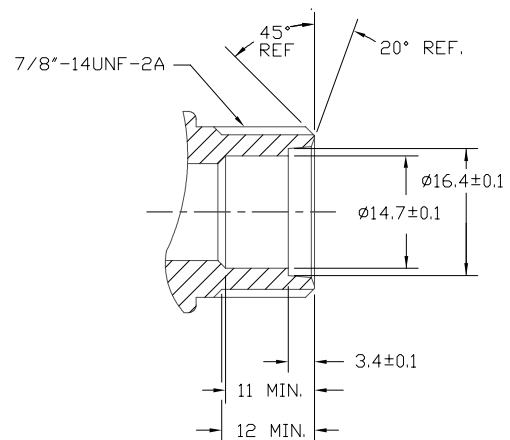


MOUNTING WINDOW

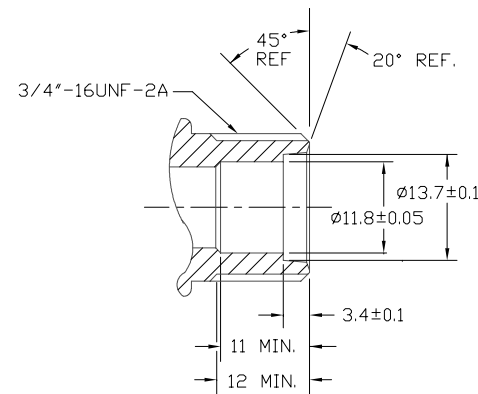


DETAIL B
SCALE: 3:1



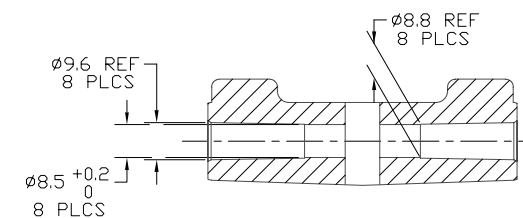
SECTION E-E

SCALE: 2:1
(SECTION SHOWN WITH SEAL CAP REMOVED)

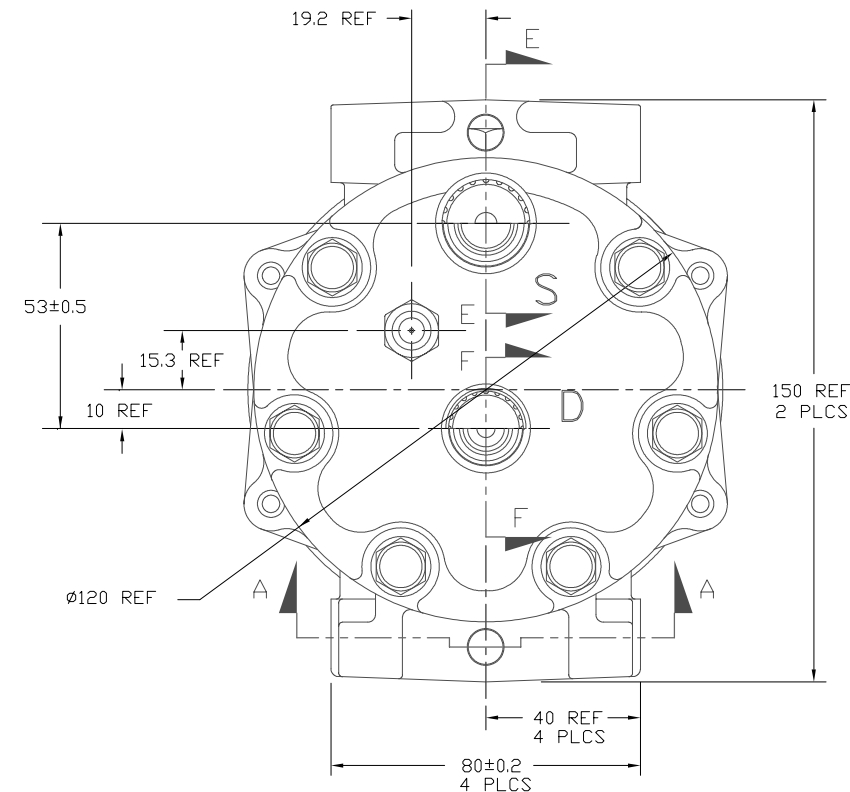
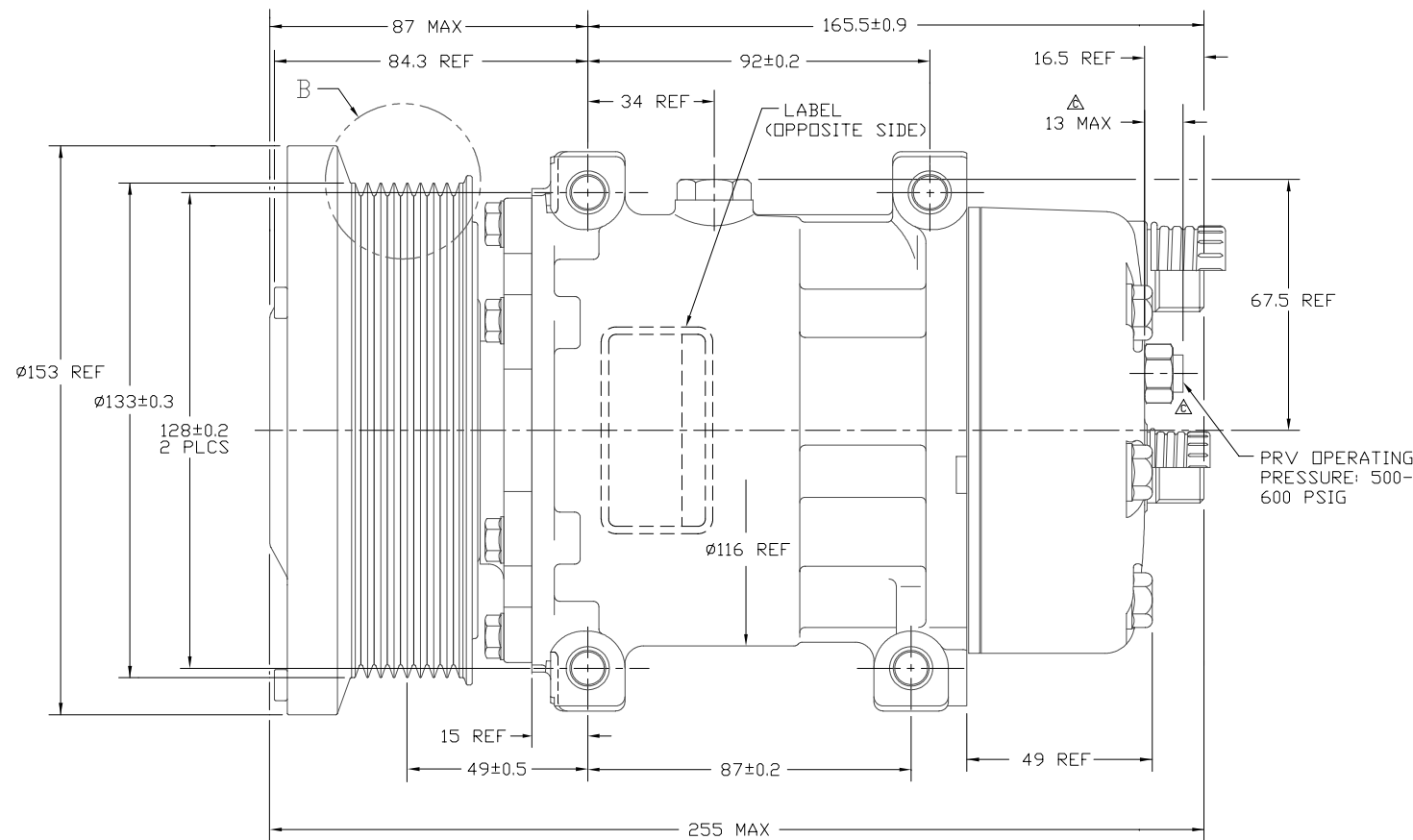
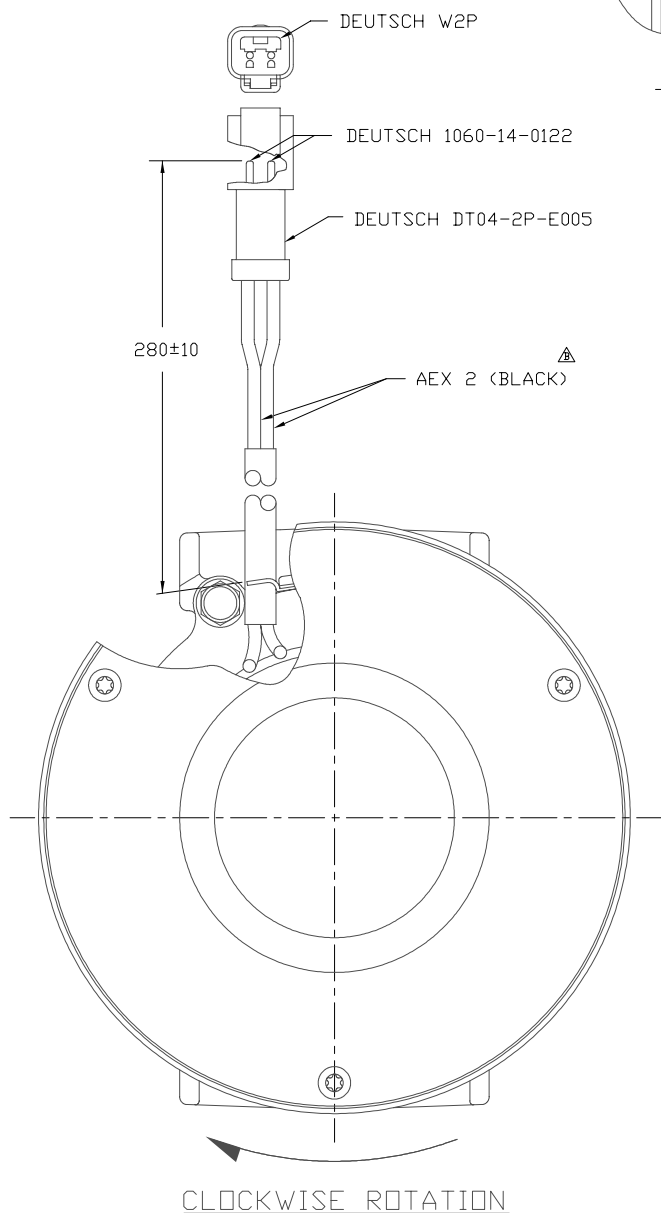


SECTION F-F

SCALE: 2:1
(SECTION SHOWN WITH SEAL CAP REMOVED)



SECTION A-A



COMPRESSOR SPECIFICATIONS (REF)

DISPLACEMENT PER REVOLUTION	154.9 cc / rev. (9.5cu.in. / rev.)
MAXIMUM ALLOWABLE R.P.M.	4000 R.P.M.
MAXIMUM ALLOWABLE CONTINUOUS R.P.M.	4000 R.P.M.
REFRIGERANT	R134a
OIL (SP-15)	300 cc (10.1 fl.oz.)
WEIGHT	TBD

CLUTCH SPECIFICATIONS (REF)

RATED VOLTAGE	DC 12V
BREAKAWAY TORQUE	3.5 kgf-m min. @ 12V
MINIMUM ENGAGEMENT VOLTAGE	7.5V @ AIR GAP 0.6mm
POWER CONSUMPTION	43 watts max.
BELT TYPE	PV8 TYPE
MAXIMUM ALLOWABLE BELT TENSION	120 kgf
PULLEY DIAMETER	Ø133mm (5.2 in.)
CLUTCH TYPE	SEALED HEAVY DUTY

REV. LEVEL	RELEASED FOR: ENG'G DEVELOPMENT	<p>SANDEN INTERNATIONAL (U.S.A.), INC.</p>	<p>DRAWN SCALE REF 1:1 PLOTTED SCALE REF NONE METRIC</p> <p>This drawing and the information contained hereon are CONFIDENTIAL and PROPRIETARY to Sanden International (U.S.A.), Inc., and shall not be used, copied, or disclosed to others without the written permission of Sanden International (U.S.A.), Inc.</p>
DWN	M Harrington		
CHK	Dennis Lee 4/8/04	<p>INTERPRETATION OF THIS DRAWING PER ASME Y14.5M-1994</p> <p>THIRD ANGLE PROJECTION</p>	<p>SIZE D</p>
APPV.	NB JC		
APPV. DATE	4/12/04	<p>MATERIAL:</p>	<p>NAME</p>
REV. LEVEL	RELEASED FOR: DESIGN VALIDATION		
DWN	M Harrington	<p>COMPRESSOR</p>	<p>DWG. NO. 4498-6000</p>
APPV.	NB JC		
APPV. DATE	4/13/04	<p>REV. C</p>	<p>REV. C</p>
REV. LEVEL	RELEASED FOR: PRODUCTION		
DWN	M Harrington		
APPV.	NB JC		
APPV. DATE	4/13/04		

DO NOT SCALE