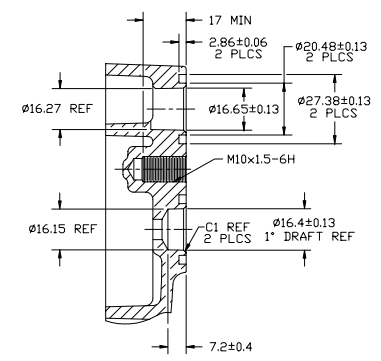
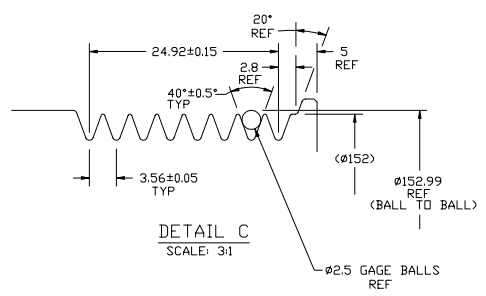
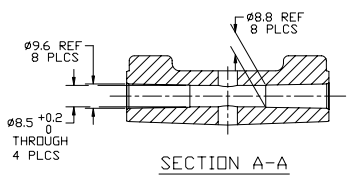
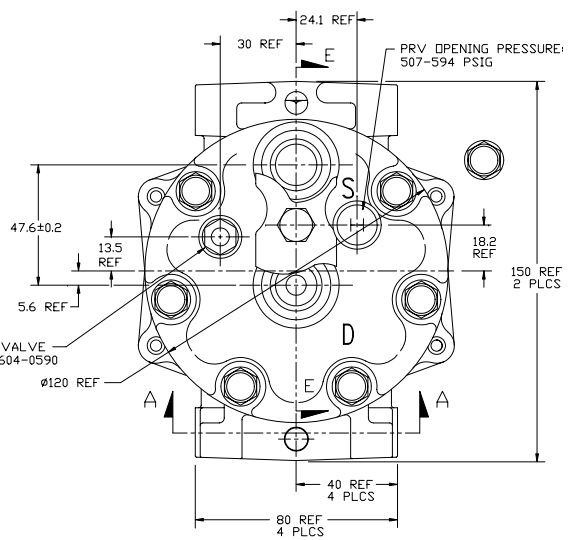
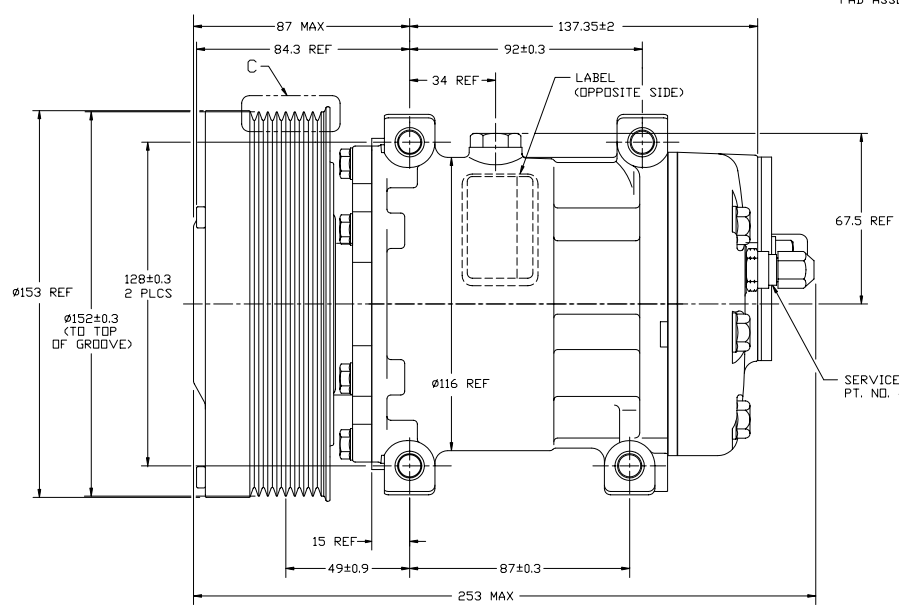
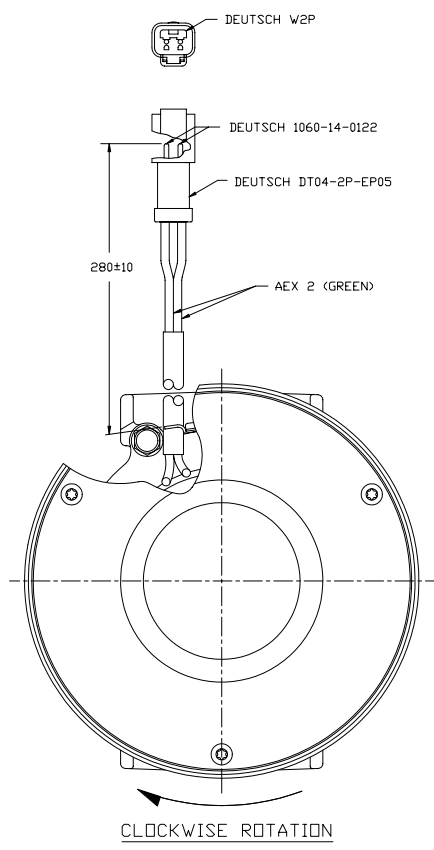


PCDN	REV.	APPR. DATE	REVISIONS	DWN	ESGN	CHK	APPV
			INITIAL ISSUE				



SECTION E-E
(SECTION WITH O-RINGS, SHIPPING PAD ASSEMBLY, AND BOLT REMOVED)



COMPRESSOR SPECIFICATIONS

DISPLACEMENT PER REVOLUTION	154.9 cc / rev. (9.5cuin. / rev.)
MAXIMUM ALLOWABLE R.P.M.	4000 R.P.M.
MAXIMUM ALLOWABLE CONTINUOUS R.P.M.	4000 R.P.M.
REFRIGERANT	R134a
OIL (SP-15)	300 cc (10.1 floz.)
WEIGHT	9.0 kg (19.7 lb.)

CLUTCH SPECIFICATIONS

RATED VOLTAGE	DC 24V
BREAKAWAY TORQUE	3.5 kgf-m min. @ 24V
MINIMUM ENGAGEMENT VOLTAGE	16V @ AIR GAP 0.6mm REF
POWER CONSUMPTION	34 watts max.
BELT TYPE	PV8 TYPE
MAXIMUM ALLOWABLE BELT TENSION	120 kgf
PULLEY DIAMETER	152mm (5.98 in.)
CLUTCH TYPE	SEALED HEAVY DUTY

REV. LEVEL	RELEASED FOR:	DATE	DESCRIPTION
A	DESIGN DEVELOPMENT	02/24/94	REVISED TO 11
A	DESIGN VALIDATION	02/24/94	REVISED TO 11
A	RELEASED FOR PRODUCTION	02/24/94	REVISED TO 11

CHECKED BY: *[Signature]*
 DRAWN BY: *[Signature]*
 SCALE REF: 1:1
 PLATTER REF: 1:1
 METRIC

SANDEN INTERNATIONAL (U.S.A.), INC.
 This drawing and the information contained herein are CONFIDENTIAL and PROPRIETARY to Sanden International (U.S.A.), Inc. and shall not be used, copied, or disclosed to others without the written permission of Sanden International (U.S.A.), Inc.

INTERPRETATION OF THIS DRAWING PER ASME Y14.5M-1994
 THIRD ANGLE PROJECTION
 SIZE D

NAME: COMPRESSOR
 DWG. NO.: 4302-6000
 REV. A

DO NOT SCALE