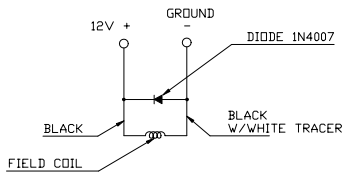
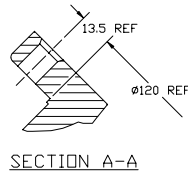


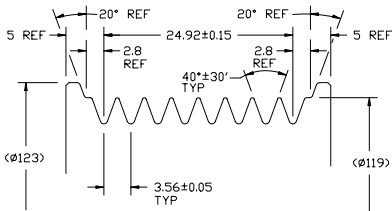
16 | 15 | 14 | 13 | 12 | 11 | 10 | 9 | 8 | 7 | 6 | 5 | 4 | 3 | 2 | 1



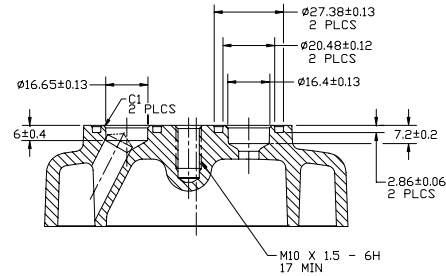
CIRCUIT DIAGRAM



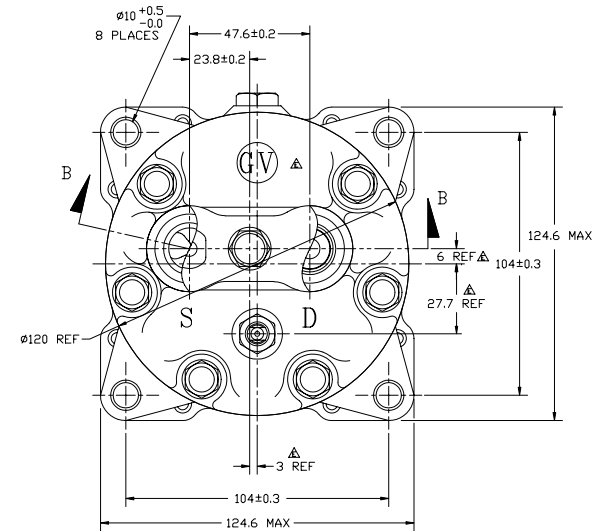
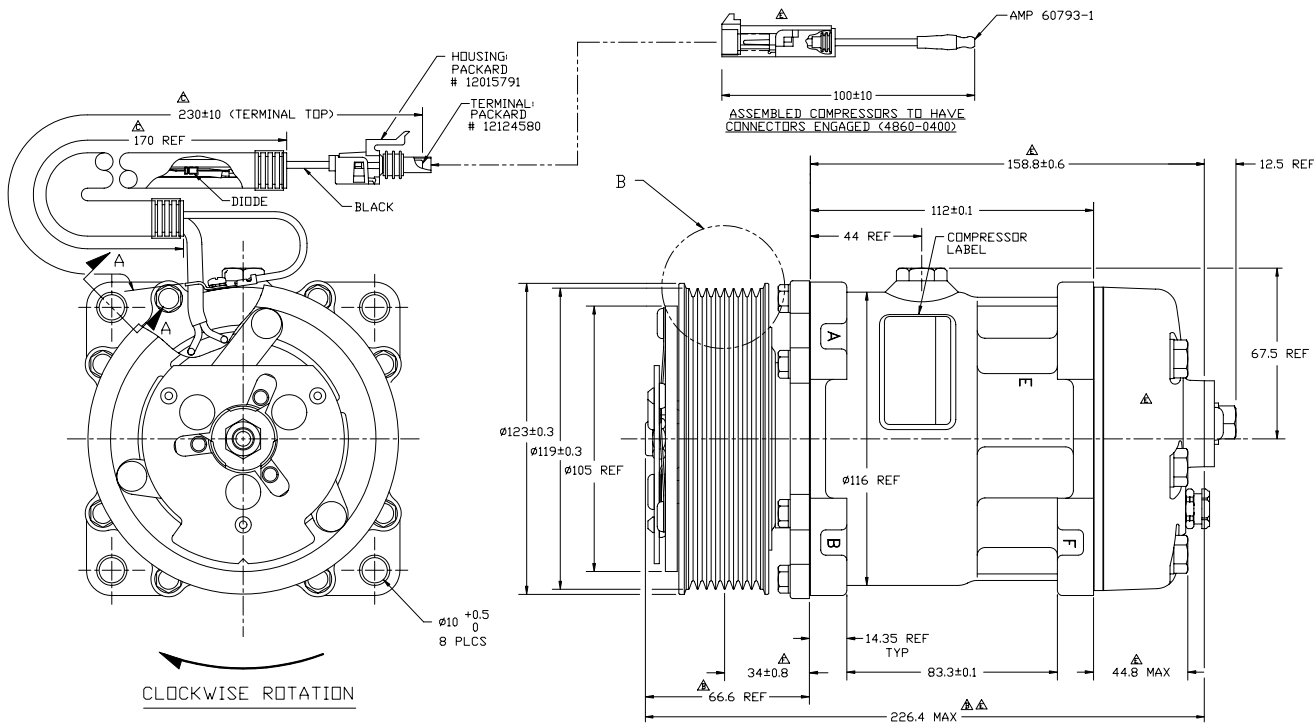
SECTION A-A



DETAIL B
SCALE: 3:1



SECTION B-B
(SECTION WITH O-RINGS, SHIPPING PAD ASSEMBLY, AND BOLT REMOVED)



COMPRESSOR SPECIFICATIONS

DISPLACEMENT PER REVOLUTION	154.9 cc / rev. (9.5cuin. / rev.)
MAXIMUM ALLOWABLE SPEED	7000 R.P.M.
MAXIMUM ALLOWABLE CONTINUOUS SPEED	6000 R.P.M.
REFRIGERANT	R134a
Δ OIL (SP-15)	200 cc (6.76 floz.)
WEIGHT	7.6 kg (16.8 lb.)

CLUTCH SPECIFICATIONS

RATED VOLTAGE	DC 12V
BREAKAWAY TORQUE	3.5 kgf-m min. @ 12V
MINIMUM ENGAGEMENT VOLTAGE	7.5V @ AIR GAP 0.6mm REF
POWER CONSUMPTION	49 watts max.
BELT TYPE	PV8 TYPE
MAXIMUM ALLOWABLE BELT TENSION	120 kgf
PULLEY DIAMETER	Ø119 mm (4.69 in.)
CLUTCH TYPE	STANDARD

NOTE:
1. N₂ HOLDING CHARGE DELETED.

PNCR	REV.	APPV DATE	REVISIONS	DWN	ESGN	CHK	APPV
			INITIAL RELEASE				
200112	Δ	3/26/01	666 REF WAS 666 MAX REMOVED 220 MAX. ADDED 215 MAX	JLW	JK	JK	JLW
200262	Δ	8/1/01	Ø20410 (TERMINAL TOP) WAS Ø20120 (TERMINAL TOP) 170 REF WAS 220 REF	JLW	JK	JK	JLW
200190	Δ	11/7/01	OIL SP-15 WAS SP-20	JLW	JK	JK	JLW
200074	Δ	3/27/02	REMOVED 10V CYLINDER HEAD WITH DIMENSIONS. ADDED 10V CYLINDER HEAD WITH DIMENSIONS CHANGED VIEW OF VORING ADAPTER 4860-9400 648 MAX WAS 524 MAX 1588406 WAS 1474806 226.4 MAX WAS 215 MAX	JLW	JK	JK	JLW
2002175	Δ	6/24/02	34420 WAS 34405	JS	JK	JK	JS

REV. LEVEL	RELEASED FOR DESIGN DEVELOPMENT	 SANDEN INTERNATIONAL (U.S.A.), INC. DRAWN BY: [Name] / 2/27/01 CHECKED BY: [Name] / 2/27/01 SCALE REF: 1:1 PLATTERS SCALE REF: 1:1 METRIC
A	APPR. [Name] / 3/26/01 DATE: 3/26/01 TYPOR: [Name]	
REV. LEVEL	RELEASED FOR DESIGN VALIDATION	This drawing and the information contained herein are CONFIDENTIAL and PROPRIETARY to Sanden International (U.S.A.), Inc. and are released in CONFIDENCE and shall not be used, copied, or disclosed to others without the written permission of Sanden International (U.S.A.), Inc. INTERPRETATION OF THIS DRAWING PER ASME Y14.5M-1994 THIRD ANGLE PROJECTION ⌀ ↯
A	APPR. [Name] / 3/27/01 DATE: 3/27/01 TYPOR: [Name]	
REV. LEVEL	RELEASED FOR PRODUCTION VAL. S.	MATERIAL: NAME: COMPRESSOR
A	APPR. [Name] / 3/27/01 DATE: 3/27/01 TYPOR: [Name]	
REV. LEVEL	RELEASED FOR PRODUCTION	DWG. NO.: 4864-6000
F	APPR. [Name] / 6/26/02 DATE: 6/26/02	

DO NOT SCALE

16 | 15 | 14 | 13 | 12 | 11 | 10 | 9 | 8 | 7 | 6 | 5 | 4 | 3 | 2 | 1