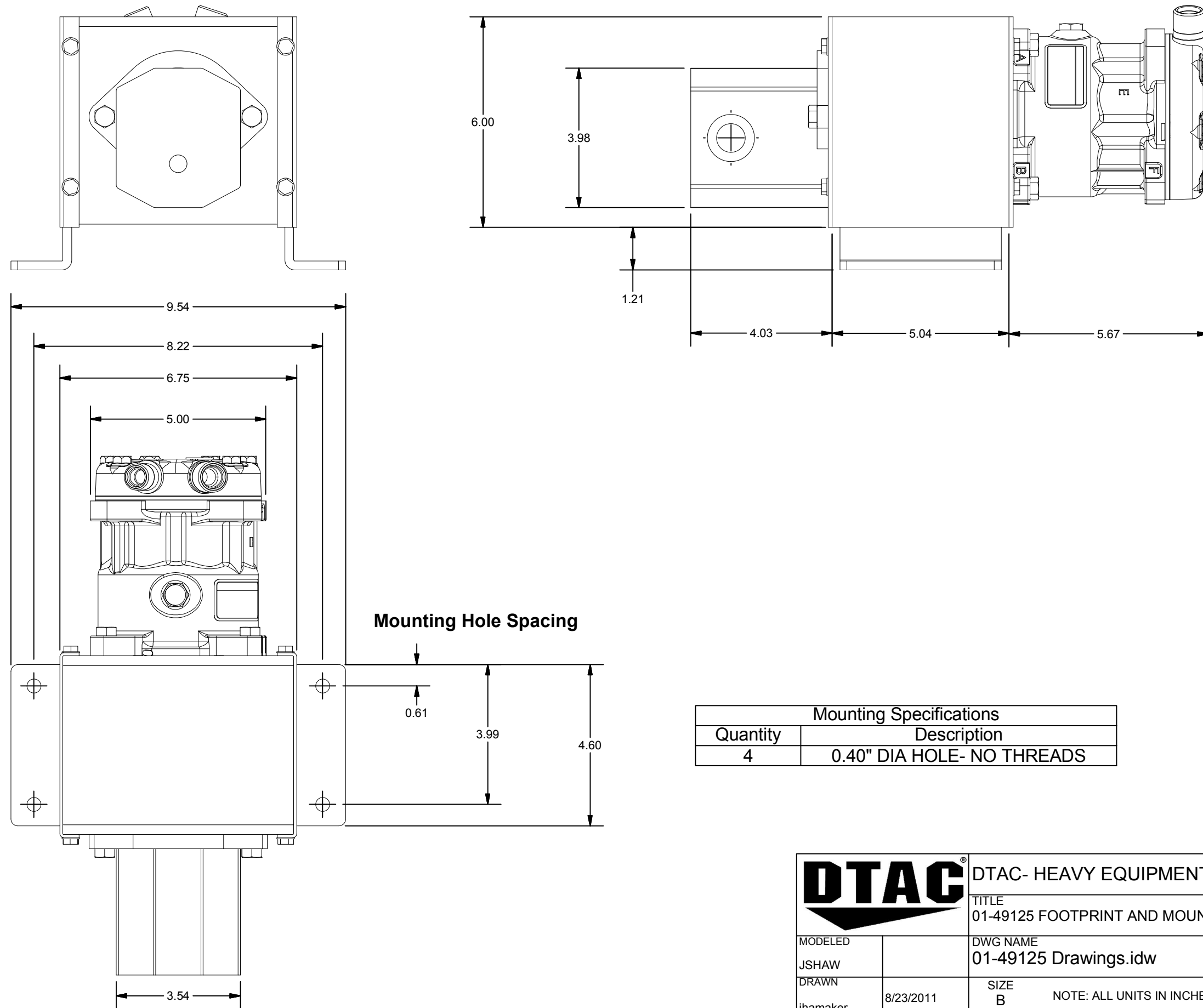



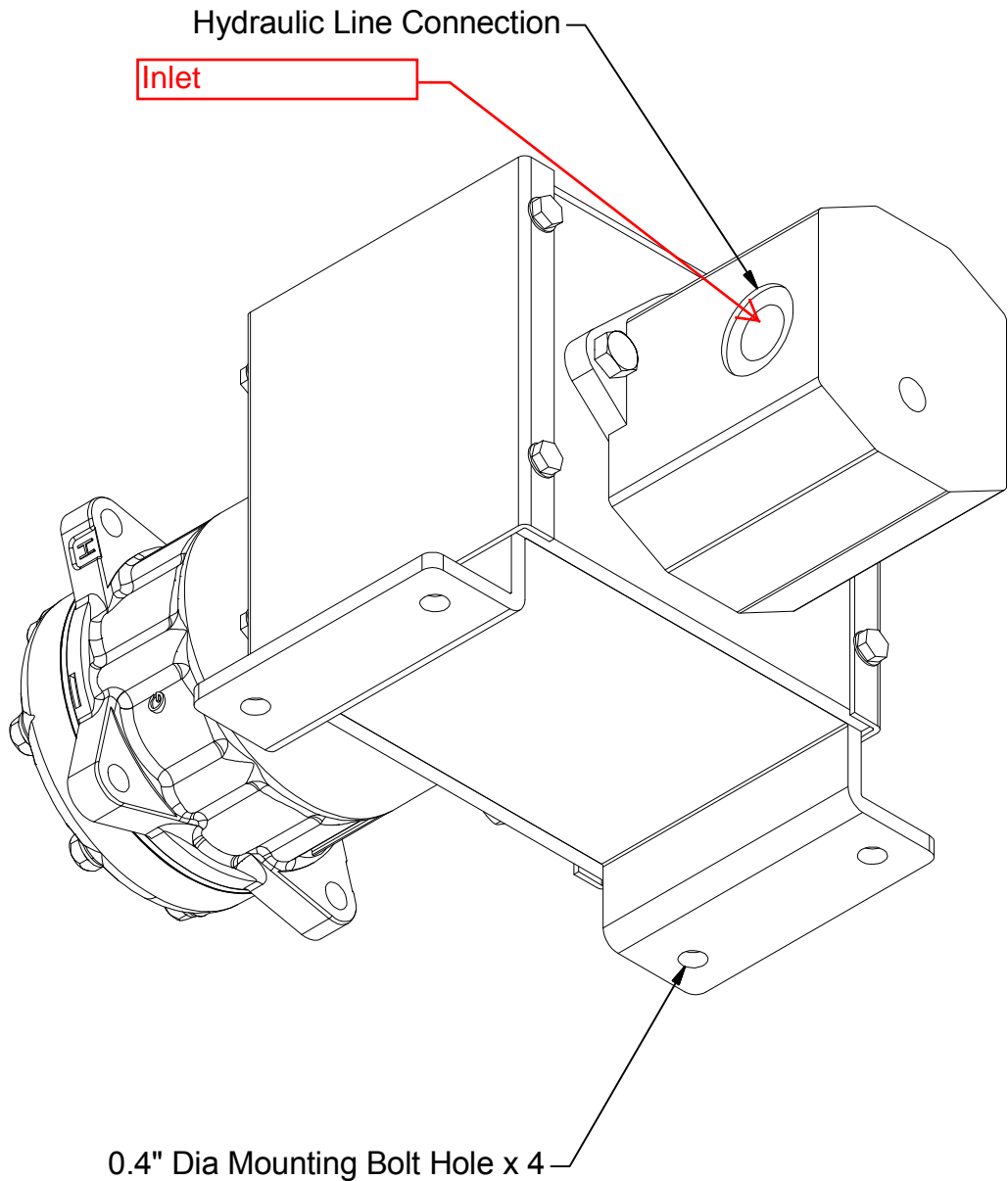
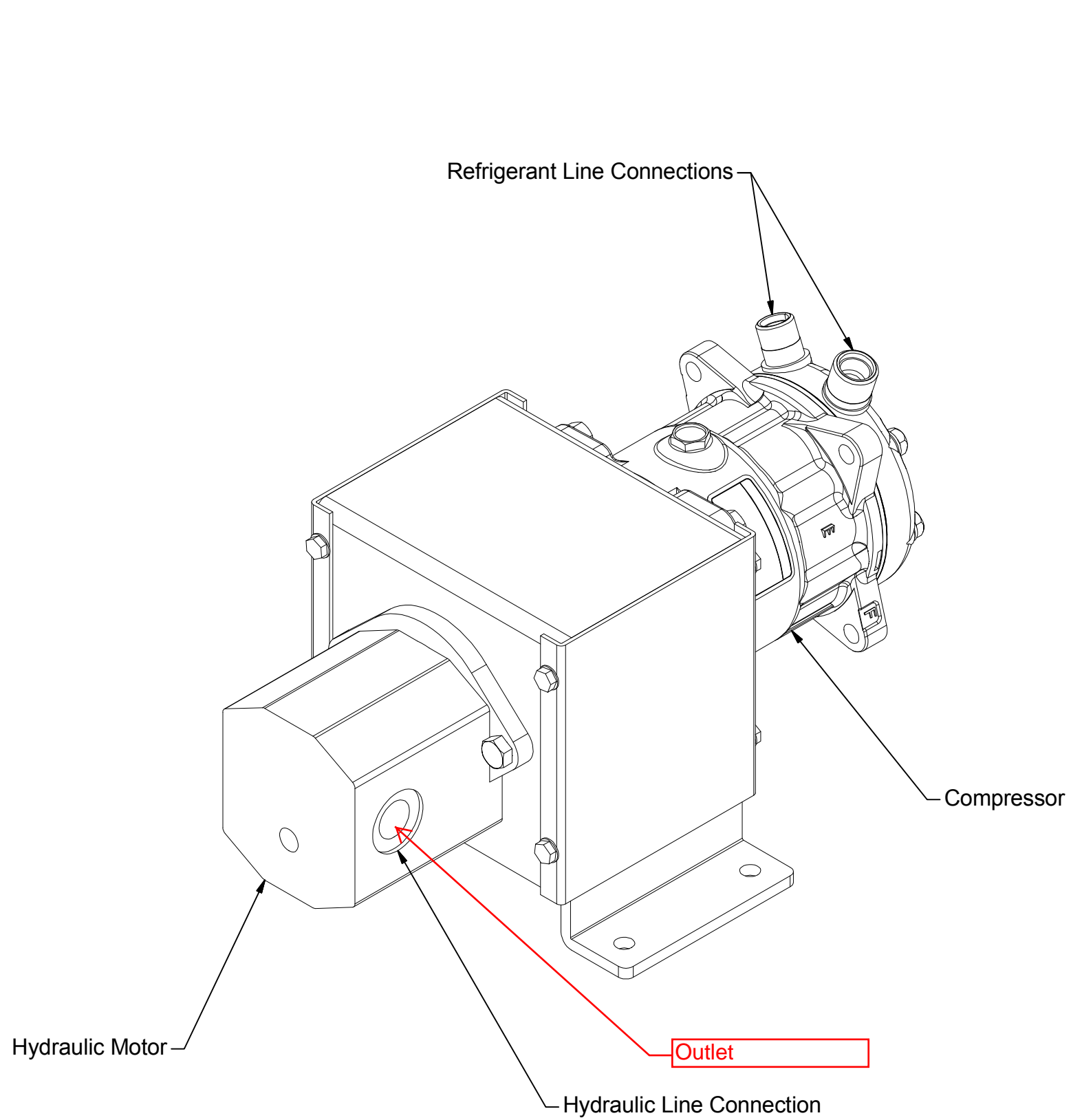
01-49125 FOOTPRINT AND MOUNTING INFORMATION



Mounting Specifications	
Quantity	Description
4	0.40" DIA HOLE- NO THREADS

		DTAC- HEAVY EQUIPMENT HEAT/COOL SYSTEMS	
		TITLE 01-49125 FOOTPRINT AND MOUNTING INFORMATION	
MODELED	JSHAW	DWG NAME 01-49125 Drawings.idw	
DRAWN		8/23/2011	SIZE B
jhamaker		SHEET 1 OF 3	

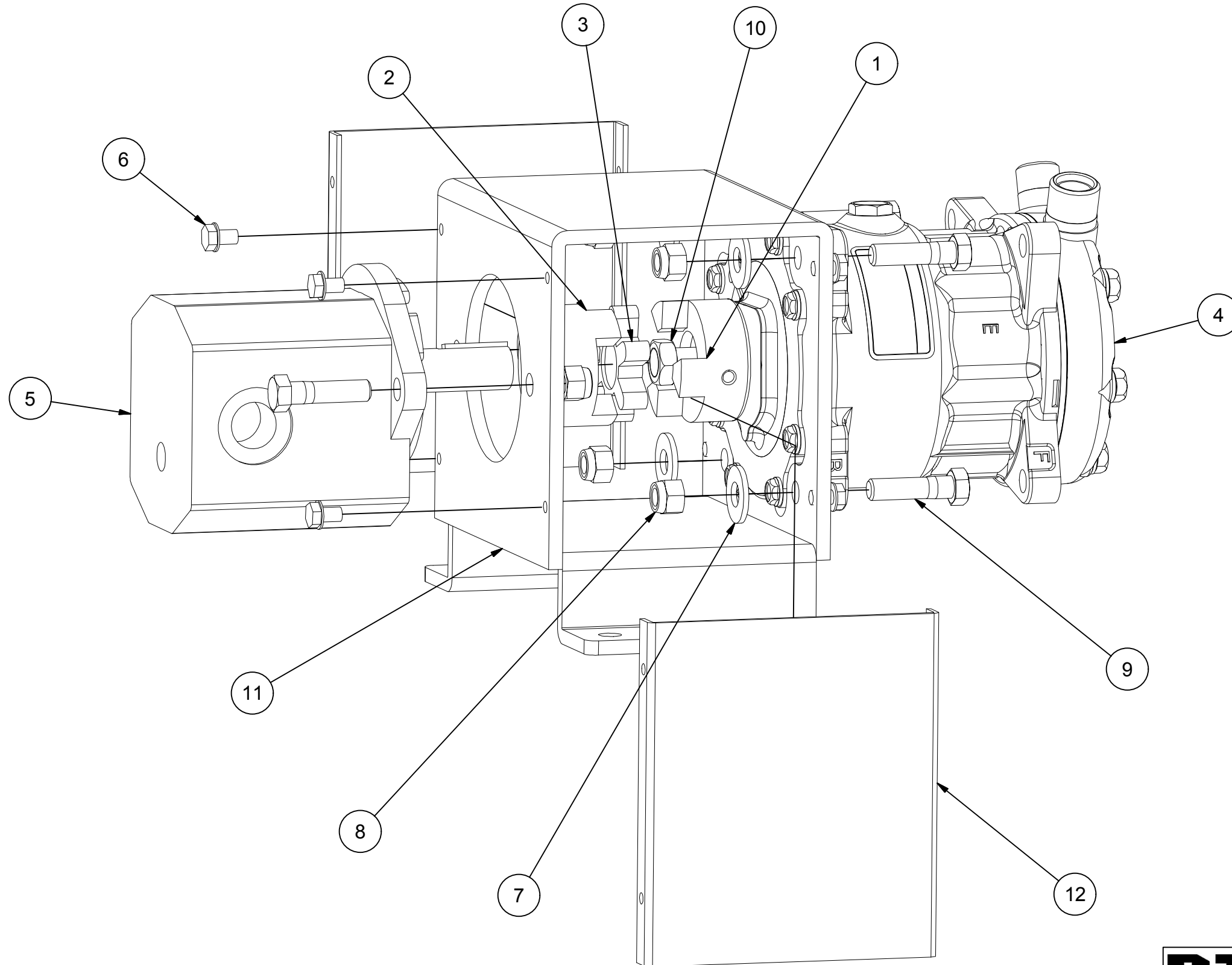
01-49125 FEATURE SPECIFICATIONS



NOTE: Identical to 01-49212 and 01-49224, but without valve assembly


DTAC		DTAC- HEAVY EQUIPMENT HEAT/COOL SYSTEMS	
		TITLE 01-49125 FEATURE SPECIFICATIONS	
MODELED JSHAW		DWG NAME 01-49125 Drawings.idw	
DRAWN jhamaker	8/23/2011	SIZE B	NOTE: ALL UNITS IN INCHES

01-49125 PARTS BREAKDOWN AND UNIT SPECIFICATIONS



Parts Breakdown			
ITEM	QTY	DTAC NO.	DESCRIPTION
1	1	01-10768	Coupler Special 7/16
2	1	01-10770	Coupler 5/8 x 3/16
3	1	01-11070	NBR Spider Coupler
4	1	01-55093	Sanden w/o Clutch
5	1	02-40004	Hydraulic Motor w/ Case Drain
6	8	12-00003	1/4-20 X 3/8 Bolt
7	6	12-00007	3/8 Flatwasher
8	6	12-00009	3/8 Std NC Nylock Nut
9	6	12-00013	Hex Bolt 3/8-16 UNC - 1.25
10	1	12-00102	Jam Nut Hyd. Setup
11	1	75-00003	Aluminum Hydraulic Bracket
12	2	75-00004	Cover Plate

UNIT SPECIFICATIONS				
MINIMUM GPM	MAXIMUM GPM	OPERATING PSI	WEIGHT	DTAC NO.
5	40	1300	37 LBS	01-49125

		DTAC- HEAVY EQUIPMENT HEAT/COOL SYSTEMS	
		TITLE 01-49125 PARTS BREAKDOWN AND UNIT SPECIFICATIONS	
MODELED JSHAW		DWG NAME 01-49125 Drawings.idw	
DRAWN jhamaker	8/23/2011	SIZE B	NOTE: ALL UNITS IN INCHES