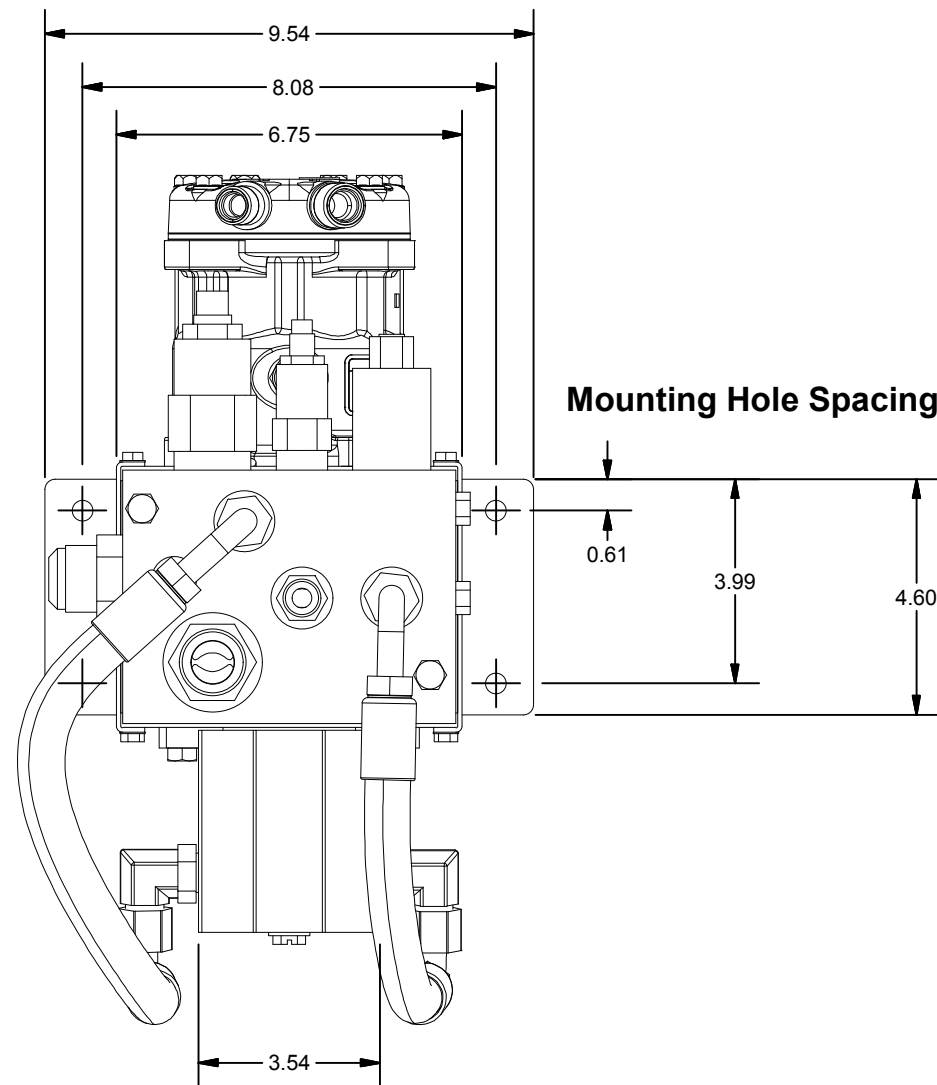
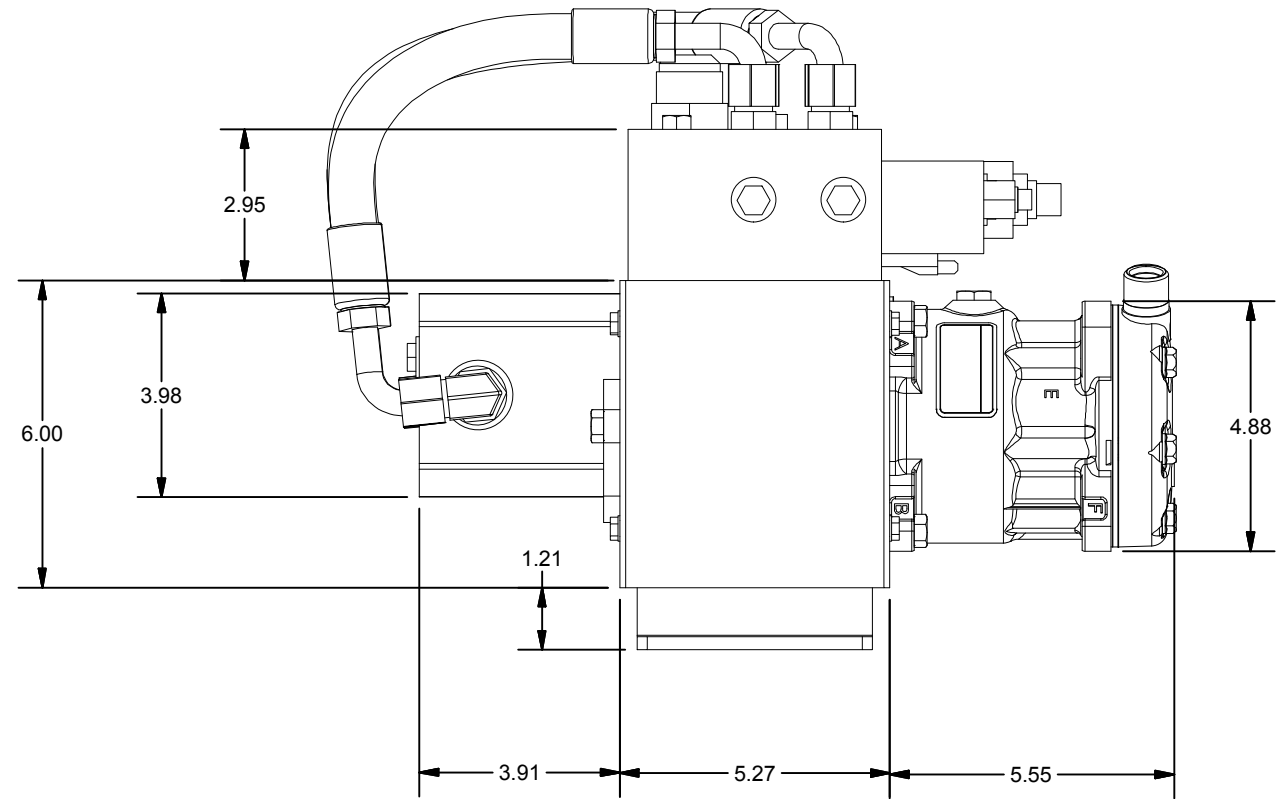
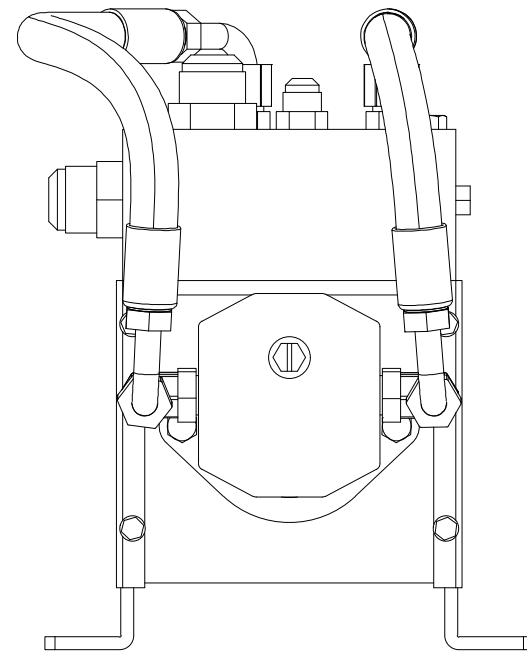


# 01-49212, 01-49224 FOOTPRINT AND MOUNTING INFORMATION



Mounting Specifications	
Quantity	Description
4	0.40" DIA HOLE- NO THREADS



DTAC- HEAVY EQUIPMENT HEAT/COOL SYSTEMS

TITLE  
01-49212, 01-49224 FOOTPRINT AND MOUNTING INFORMATION

MODELED

JSHAW

DRAWN

jhamaker

DWG NAME

01-49212, 01-49224 Drawings.idw

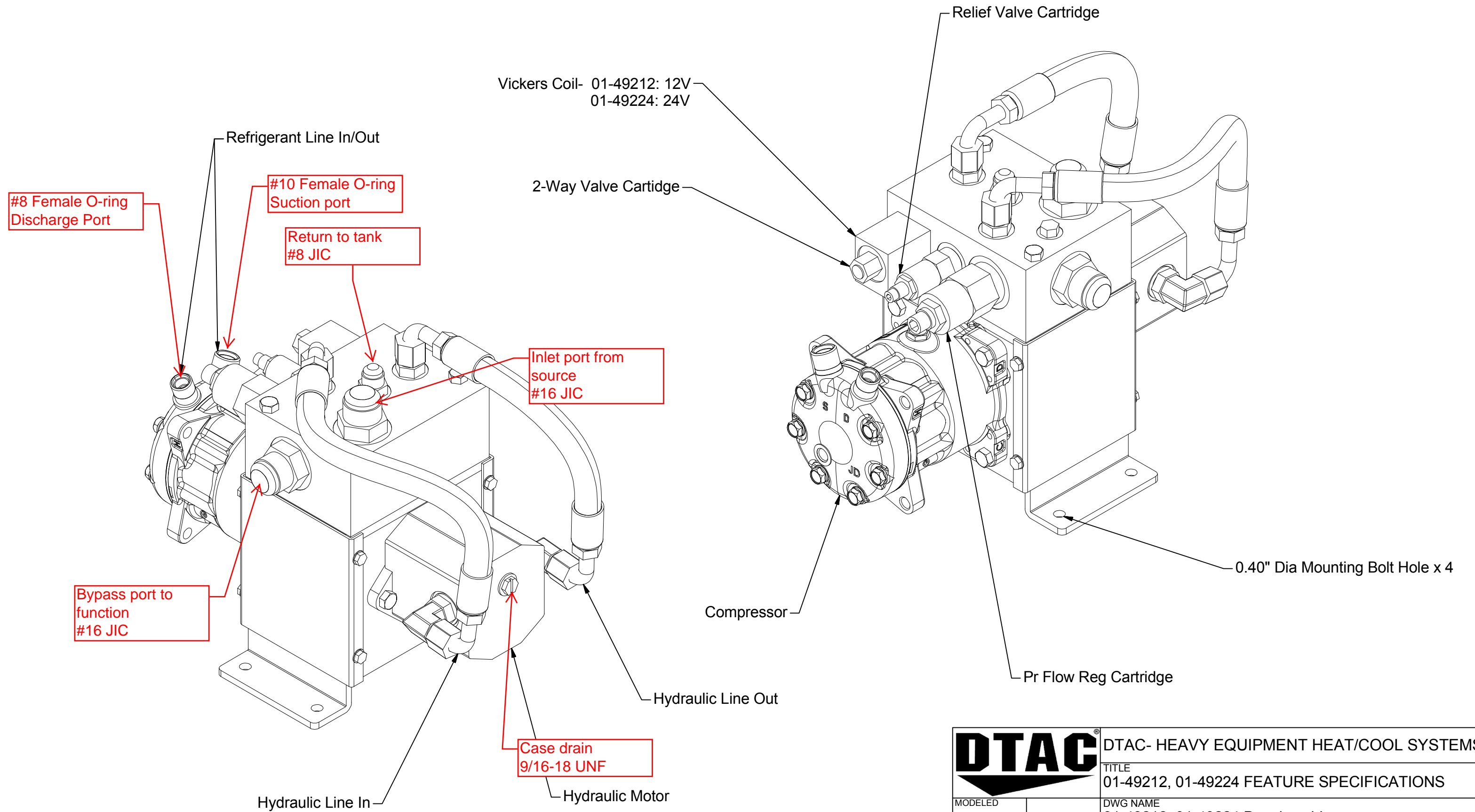
SIZE


B

NOTE: ALL UNITS IN INCHES

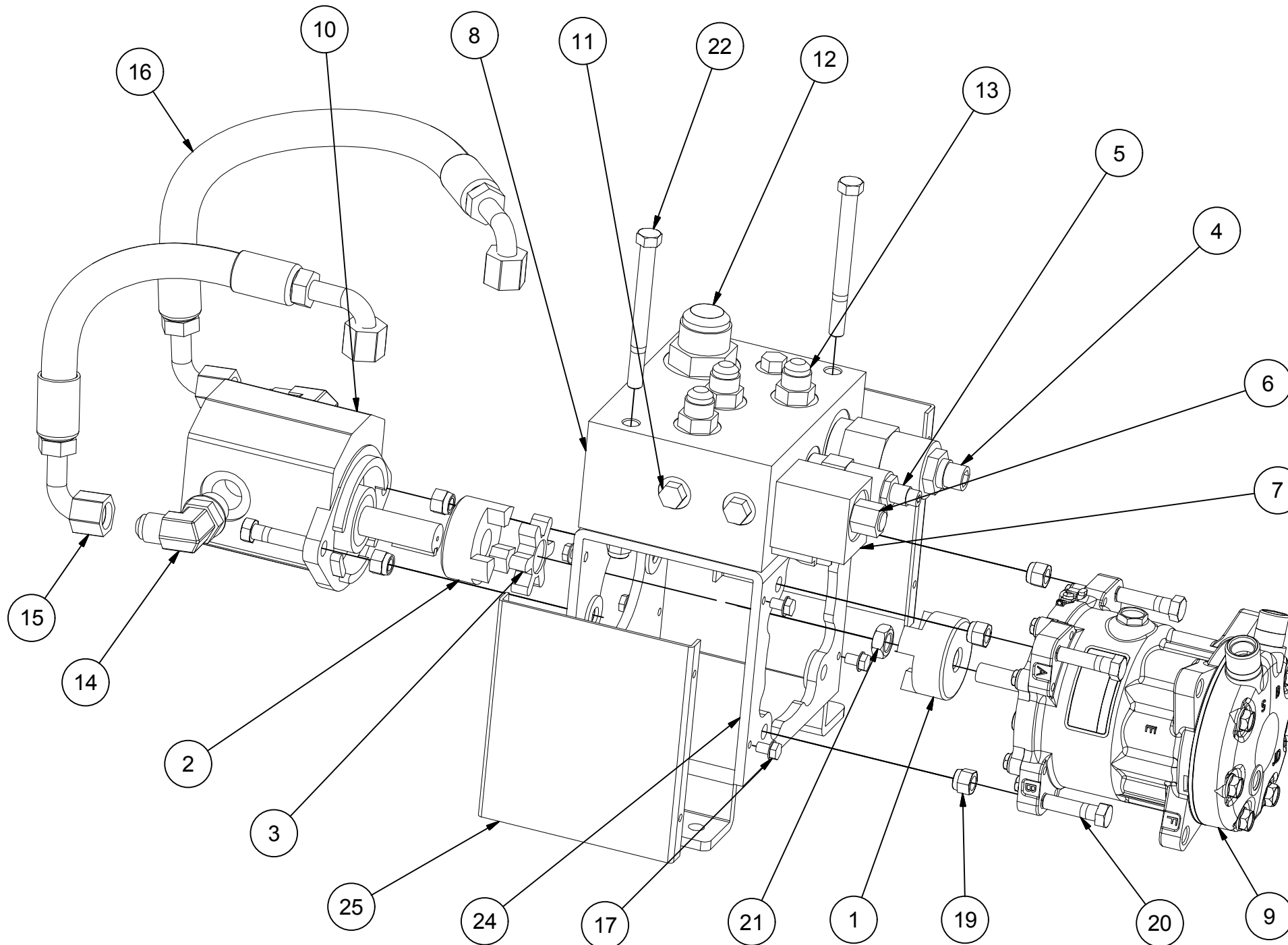
SHEET 1 OF 4

# 01-49212, 01-49224 FEATURE SPECIFICATIONS



		DTAC- HEAVY EQUIPMENT HEAT/COOL SYSTEMS	
		TITLE 01-49212, 01-49224 FEATURE SPECIFICATIONS	
MODELED JSHAW		DWG NAME 01-49212, 01-49224 Drawings.idw	
DRAWN jhamaker	8/23/2011	SIZE B	NOTE: ALL UNITS IN INCHES
			SHEET 2 OF 4

# 01-49212, 01-49224 PARTS BREAKDOWN AND UNIT SPECIFICATIONS

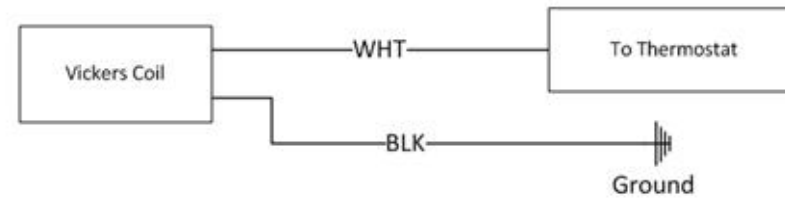


Parts Breakdown				
ITEM	QTY	DTAC NO.	DESCRIPTION	NOTE
1	1	01-10768	Couler Special 7/16	
2	1	01-10770	Coupler 5/8 x 3/16	
3	1	01-11070	NBR Spider Coupler	
4	1	01-49001	Pr. Flow Reg Cart	
5	1	01-49002	Relief Vlv Cart	
6	1	01-49003	2 Way Vlv Cart.	
7	1	01-49012 or 01-49024	12V Vickers Coil or 24V Vickers Coil	
8	1	01-49194	Hyd Manifold	
9	1	01-55093	Sanden w/o Clutch	
10	1	02-40004	Hydraulic Motor w/ Case Drain	
11	3	09-200242	SAE #4 Ftg	
12	2	09-64001616	Hyd Fitting	
13	3	09-640088	Hyd Fitting	
14	2	09-6801810	90 Deg Hyd Fit	
15	1	10-49000	Hyd Hose, Outlet	
16	1	10-49001	Hyd Hose, Inlet	
17	8	12-00003	1/4-20 X 3/8 Bolt	
18	6	12-00007	3/8 Flatwasher	
19	8	12-00009	3/8 Std NC Nylock Nut	
20	6	12-00013	Hex Bolt 3/8-16 UNC - 1.25	
21	1	12-00102	Jam Nut Hyd. Setup	
22	2	12-00124	3/8-16 - 4	
23	1	12-00491	Wire Harness	1
24	1	75-00003	Aluminum Hydraulic Bracket	
25	2	75-00004	Cover Plate	
-	-	Note 1	Part not shown	

UNIT SPECIFICATIONS					
MINIMUM GPM	MAXIMUM GPM	OPERATING PSI	WEIGHT	COIL VOLT	DTAC NO.
5	40	1300	42 LBS	12V	01-49212
"	"	"	"	24V	01-49224

<b>DTAC</b>		DTAC- HEAVY EQUIPMENT HEAT/COOL SYSTEMS	
		TITLE 01-49212, 01-49224 PARTS BREAKDOWN AND UNIT SPECIFICATIONS	
MODELED JSHAW		DWG NAME 01-49212, 01-49224 Drawings.idw	
DRAWN jhamaker	8/23/2011	SIZE B	NOTE: ALL UNITS IN INCHES
			SHEET 3 OF 4

# Hydraulic Compressor Wire Diagram



Manufacturer of Heavy Equipment Heat/Cool Systems  
5130 Edgefield Ln, TX 76065 USA  
Phone 1-800-527-9477 Fax 1-800-299-5972  
www.dtac.com

12-00491  
08.23.11

SIZE  
B

SHEET 4 OF 4