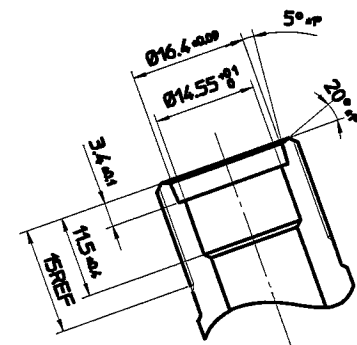
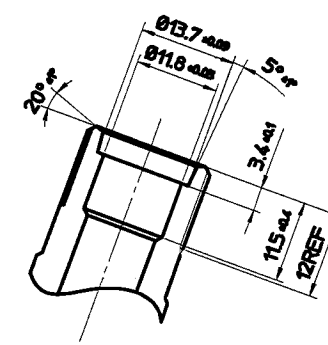


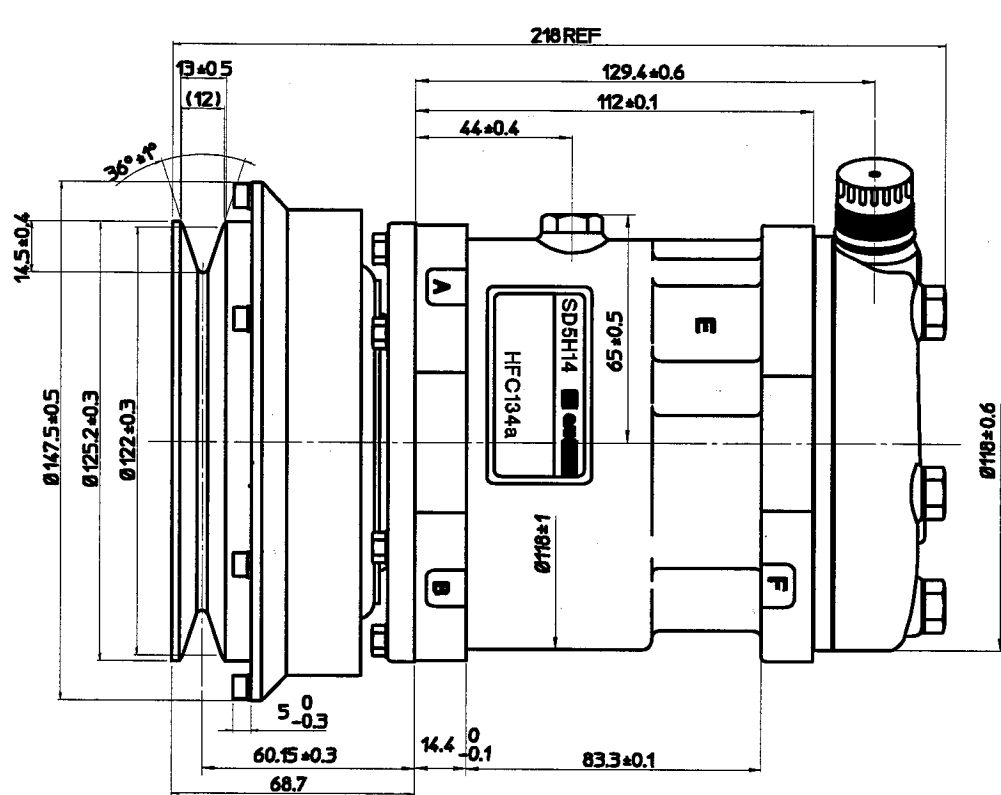
PARTIAL SECT A-A



PARTIAL SECT B-B (2:1)



PARTIAL SECT C-C (2:1)

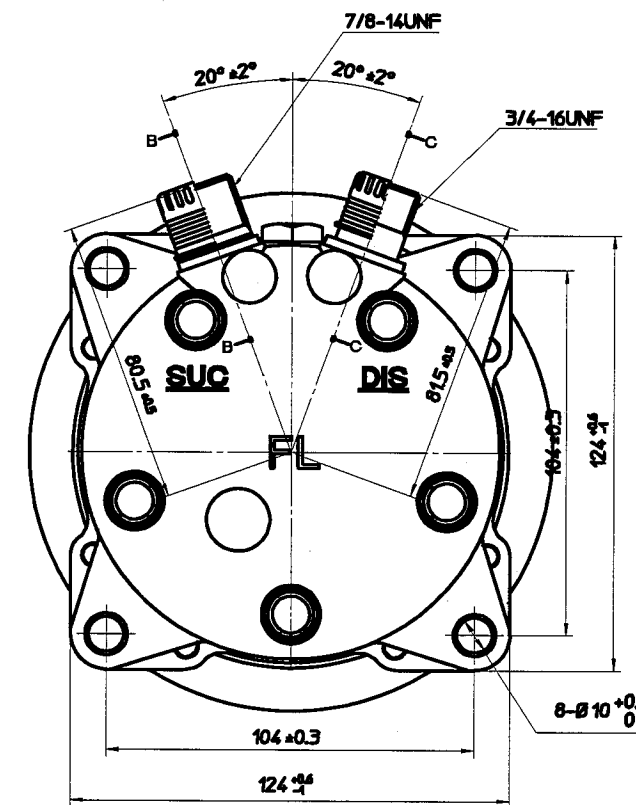


COMPRESSOR SPECIFICATIONS

BORE	Ø35 mm
STROKE	28.6 mm
DISPLACEMENT PER REVOLUTION	138 cc/rev
NUMBER OF CYLINDERS	5
MAXIMUM ALLOWABLE r.p.m.	7000 r.p.m.
MAXIMUM ALLOWABLE CONTINUOUS r.p.m	6000 r.p.m
REFRIGERANT	HFC134a
OIL (SP-20 OR EQUIV.)	175 cc
ROTATION (CLUTCH SIDE VIEW)	CLOCKWISE
WEIGHT	kg

CLUTCH SPECIFICATIONS

RATED VOLTAGE	DC 12 V
BREAKAWAY TORQUE	3.5 kg-m
MINIMUM ENGAGEMENT VOLTAGE	7.5 V max
POWER CONSUMPTION	50 W (AL)
MAXIMUM ALLOWABLE r.p.m.	7000 r.p.m.
MAXIMUM ALLOWABLE CONTINUOUS r.p.m.	6000 r.p.m.
BELT TYPE	A
PULLEY DIAMETER	Ø122 mm
WEIGHT	kg



SIE MASTER DRAWING

CHECKED AND APPROVED BY *N. SHARPIN*

PRINT NAME *N. SHARPIN*

DATE *26/04/01*

MATERIAL	PART NO. 6674	NAME	COMPRESSOR
THIRD ANGLE PROJECTION	SCALE 1:1		
PROJECTED BY Raymond	DATE 26.03.01		SD5H14FL6674
REVISION RECORD	BY	DATE	APPROVED BY DATE
			6674-6000S

UNCONTROLLED COPY