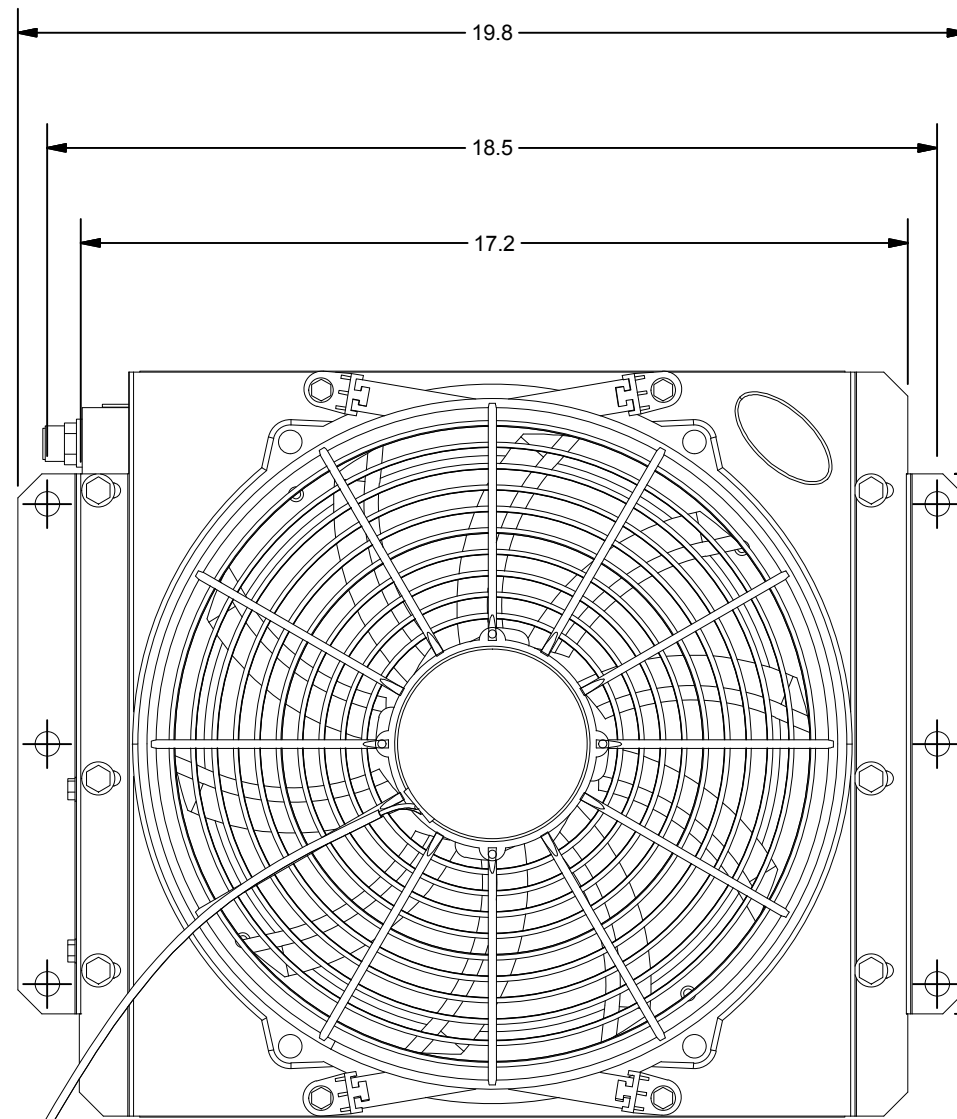
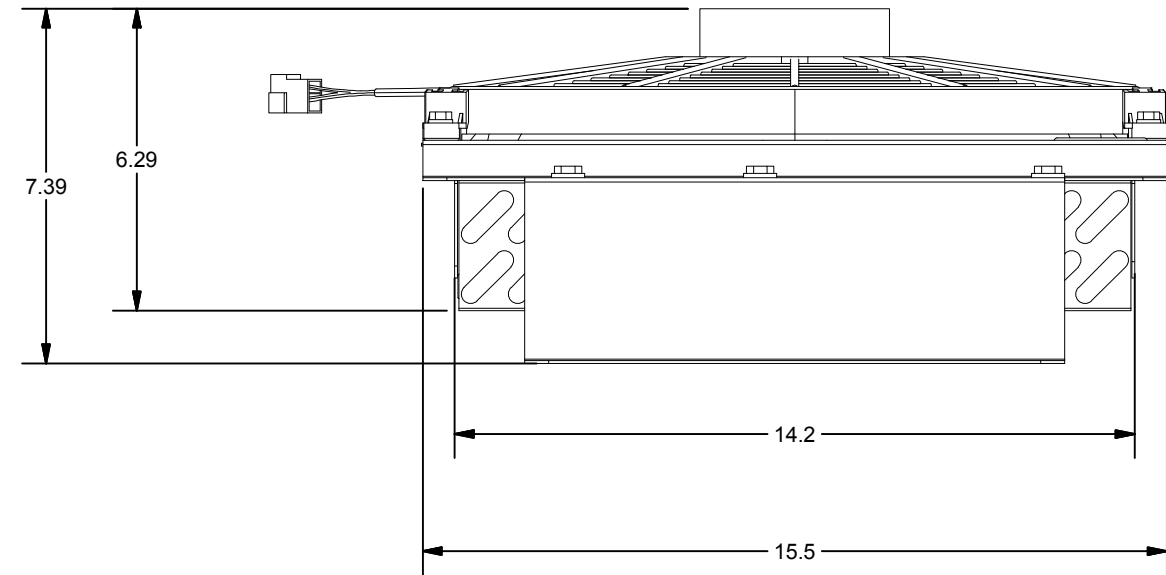
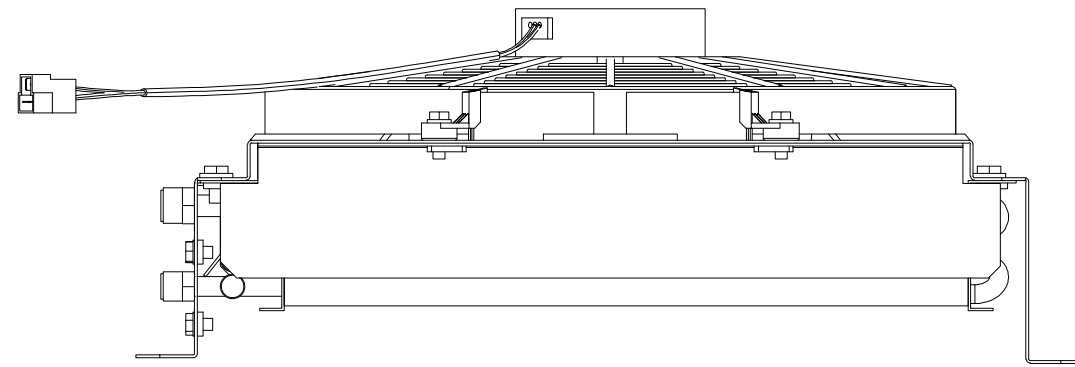
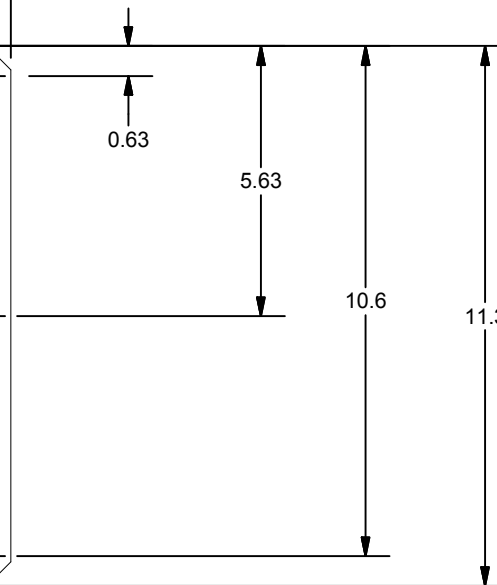


# 07-34002 FOOTPRINT AND MOUNTING INFORMATION



### Mounting Hole Spacing



### Mounting Specifications

Quantity	Description
6	1/2" DIA HOLE- NO THREADS



DTAC- HEAVY EQUIPMENT HEAT/COOL SYSTEMS

TITLE  
07-34002 FOOTPRINT AND MOUNTING INFORMATION

MODELED

JSHAW

DRAWN

jhamaker

DWG NAME  
07-34002 Drawings.idw

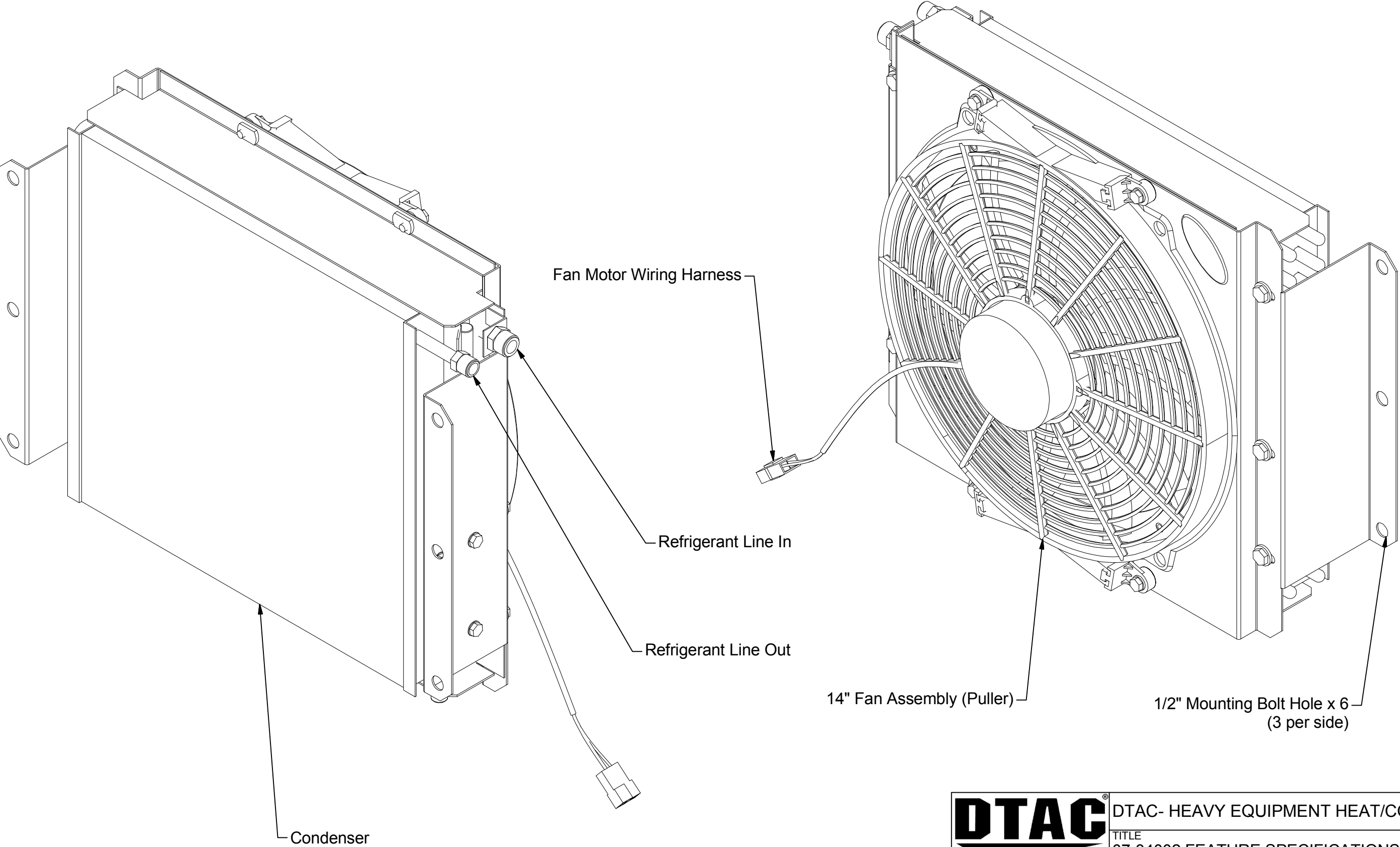
SIZE  
B

8/18/2011

NOTE: ALL UNITS IN INCHES

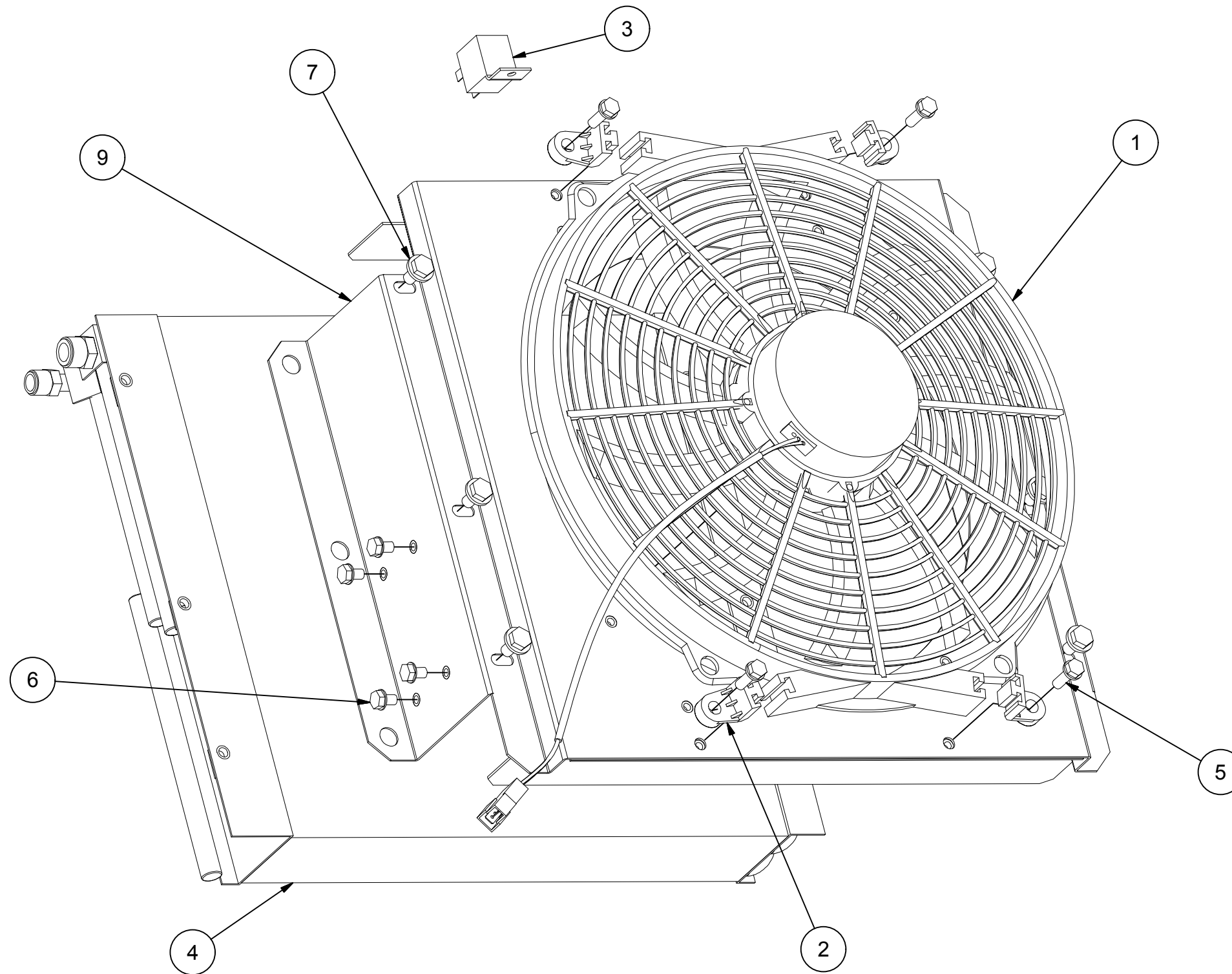
SHEET 1 OF 4

# 07-34002 FEATURE SPECIFICATIONS



<b>DTAC</b>		DTAC- HEAVY EQUIPMENT HEAT/COOL SYSTEMS	
		TITLE 07-34002 FEATURE SPECIFICATIONS	
MODELED JSHAW		DWG NAME 07-34002 Drawings.idw	
DRAWN jhamaker	8/18/2011	SIZE B	NOTE: ALL UNITS IN INCHES

# 07-34002 PARTS BREAKDOWN AND UNIT SPECIFICATIONS

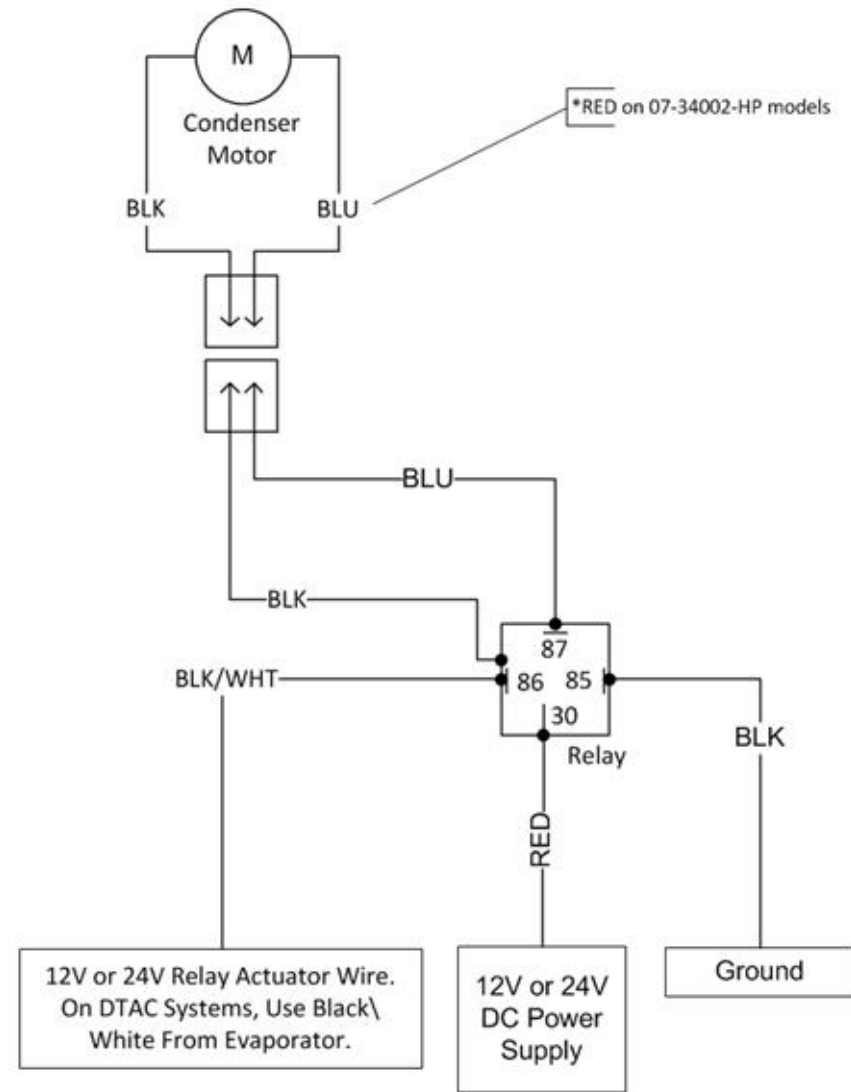


Parts Breakdown				
ITEM	QTY	DTAC NO.	DESCRIPTION	NOTE
1	1	02-4014S or 02-2014S-24	14" Fan Asm, 12V Puller or 14" Fan Asm, 24V Puller	
2	4	02-50025	Mount Leg	
3	1	03-01702 or 03-01704	12V Relay or 24V Relay	
4	1	07-00342	Coil	
5	4	12-00002	1/4-20 X 3/4 Whiz Flange Bolt	
6	4	12-00003	1/4-20 X 3/8 Bolt	
7	6	12-00045	5/16-18 X 1/2 Whiz Flange Bolt	
8	1	12-00098	Wire Harness Cond Relay	1
9	1	34-20000	Housing	
-	-	Note 1	Part not shown	

UNIT SPECIFICATIONS					
BTU'S COOL	AIR FLOW	WEIGHT	MOTOR	CURRENT DRAW	DTAC NO.
35,000	1050 CFM	18.5 LBS	1-12V	10.5 AMPS @ 13.6 VDC	07-34002-12
"	"	"	1-24V	5.3 AMPS @ 26.8 VDC	07-34002-24

<b>DTAC</b>		DTAC- HEAVY EQUIPMENT HEAT/COOL SYSTEMS	
		TITLE 07-34002 PARTS BREAKDOWN AND UNIT SPECIFICATIONS	
MODELED JSHAW		DWG NAME 07-34002 Drawings.idw	
DRAWN jhamaker	8/18/2011	SIZE B	NOTE: ALL UNITS IN INCHES

# 07-34002 Series Wiring Diagram



Manufacturer of Heavy Equipment Heat/Cool Systems  
5130 Edgefield Ln, TX 76065 USA  
Phone 1-800-527-9477 Fax 1-800-299-5972  
www.dtac.com

12-00098  
08.26.10