



REMOTE CONDENSERS

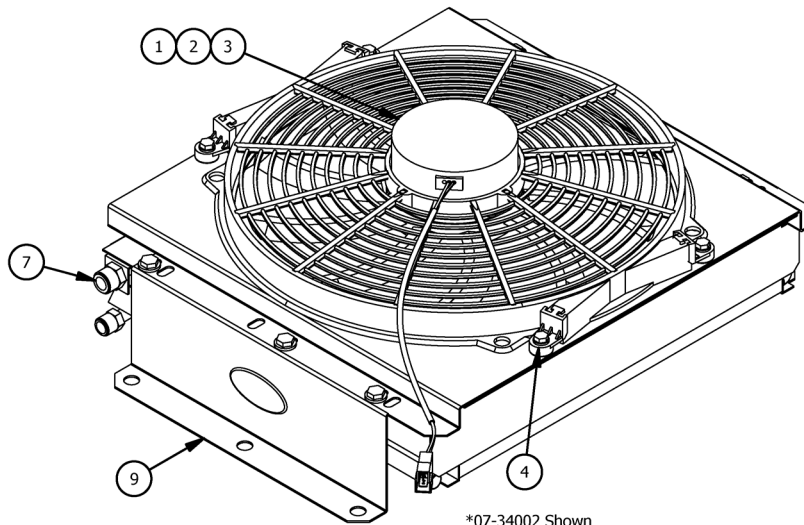
34002 Series

Remote Mount Condenser



FEATURES

- Available 12 or 24 Volt Water
- Resistant Motor
- Gray Powder Coat Finish



07-34002 SERIES PARTS LIST

ITEM	QTY 07-34002-12	QTY 07-34002-24	QTY 07-34002-12HP	DTAC NO.	DESCRIPTION	NOTE
1	0	0	1	02-4012S	12" HP Fan Asm, 12V Puller	
2	1	0	0	02-4014S	14" Fan Asm, 12V Puller	
3	0	1	0	02-4014S-24	14" Fan Asm, 24V Puller	
4	4	4	4	02-50025	Mount Leg	
5	1	0	1	03-01702	12V Relay	1
6	0	1	0	03-01704	24V Relay	1
7	1	1	1	07-00342	Coil	
8	1	1	1	12-00098	Wire Harness	1
9	1	1	1	34-20000	Housing	
10				Note 1	Not Shown	

BTU'S COOL	AIR FLOW	HEIGHT	WIDTH	DEPTH	WEIGHT	MOTOR	CURRENT DRAW	DTAC NO.
35,000	1050 CFM	7.3"	17.5"	15.5"	18.5 LBS	1-12V	10.5 AMPS @ 13.6 VDC	07-34002-12
"	1500 CFM	8.3"	"	"	"	"	15.9 AMPS @ 13.6 VDC	07-34002-12HP
"	1050 CFM	7.3"	"	"	"	1-24V	5.3 AMPS @ 26.8 VDC	07-34002-24

REMOTE CONDENSERS