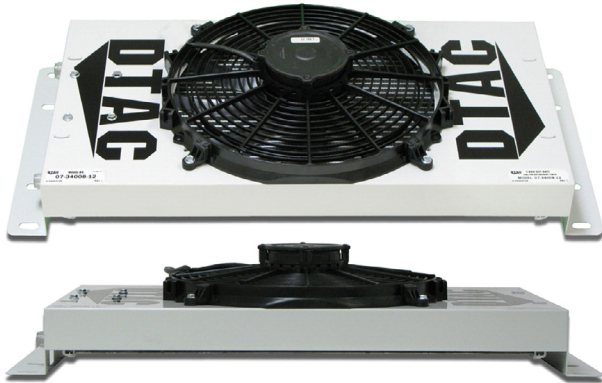




REMOTE CONDENSERS

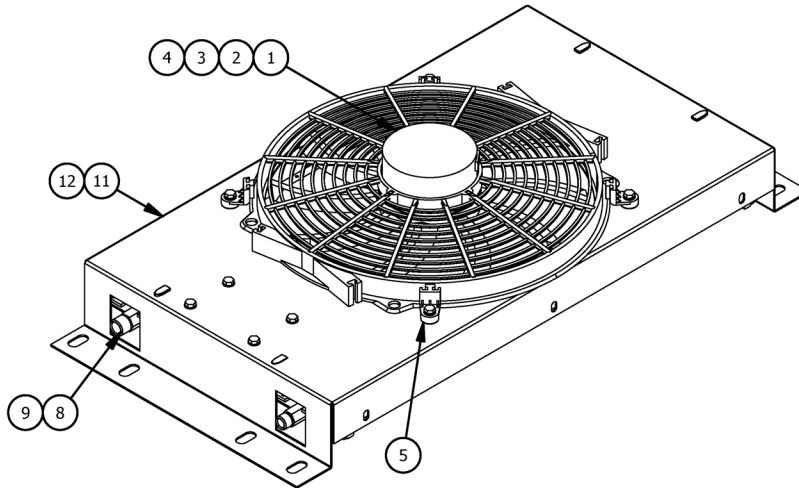
34008 & 34010 Series

Remote Mount Condenser



FEATURES

- Available 12 or 24 Volt
- 14" Low Profile Fan (07-34008)
- 11" Low Profile Fan (07-34010)
- Water Resistant Motors
- Steel Case with Black Powder Coat Finish



07-34008 & 07-34010 PARTS LIST

ITEM	QTY 07-34008-12	QTY 07-34008-24	QTY 07-34010-12	QTY 07-34010-24	DTAC NO.	DESCRIPTION	NOTE
1	0	0	1	0	02-4011S	11" Fan Asm, 12V Puller	
2	0	0	0	1	02-4011S-24	11" Fan Asm, 24V Puller	
3	1	0	0	0	02-4014S	14" Fan Asm, 12V Puller	
4	0	1	0	0	02-4014S-24	14" Fan Asm, 24V Puller	
5	4	4	4	4	02-50025	Mount Leg	
6	1	0	1	0	03-01702	12V Relay	1
7	0	1	0	1	03-01704	24V Relay	1
8	1	1	0	0	07-01438	Condenser Coil	
9	0	0	1	1	07-01490	Condenser Coil	
10	1	1	1	1	12-00098	Wire Harness	1
11	1	1	0	0	34-00008	Housing, 34008	
12	0	0	1	1	34-00010	Housing, 34010	
13					Note 1	Not Shown	

BTU'S COOL	AIR FLOW	HEIGHT	WIDTH	DEPTH	WEIGHT	MOTOR	CURRENT DRAW	DTAC NO.
35,000	790 CFM	5.75"	30.5"	14.75"	27 LBS	1-12V	10.7 AMPS @ 13.6 VDC	07-34008-12
"	"	"	"	"	"	1-24V	5.6 AMPS @ 26.8 VDC	07-34008-24
25,000	690 CFM	"	"	"	"	1-12V	10.7 AMPS @ 13.6 VDC	07-34010-12
"	"	"	"	"	"	1-24V	5.6 AMPS @ 26.8 VDC	07-34010-24

REMOTE CONDENSERS