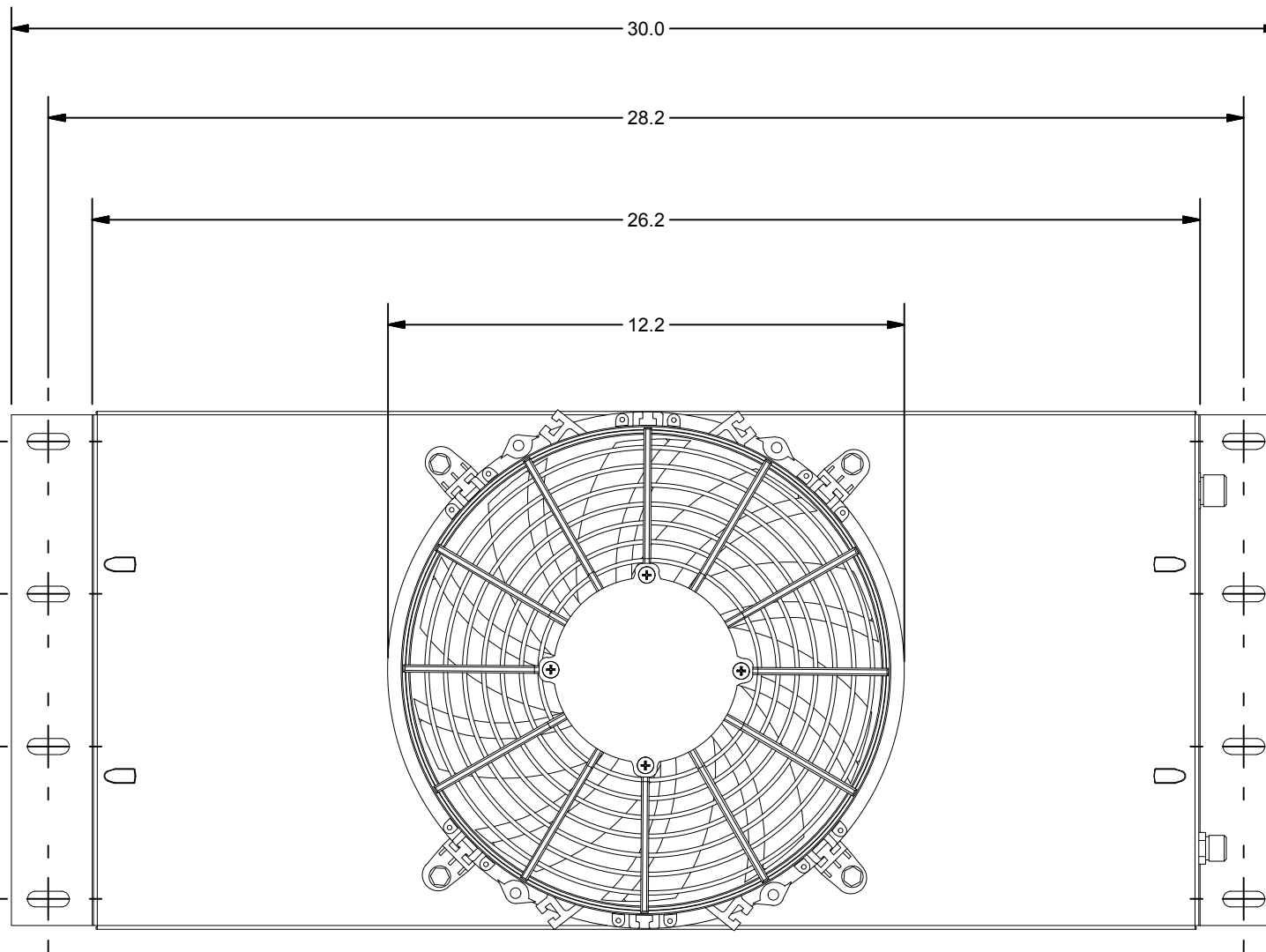
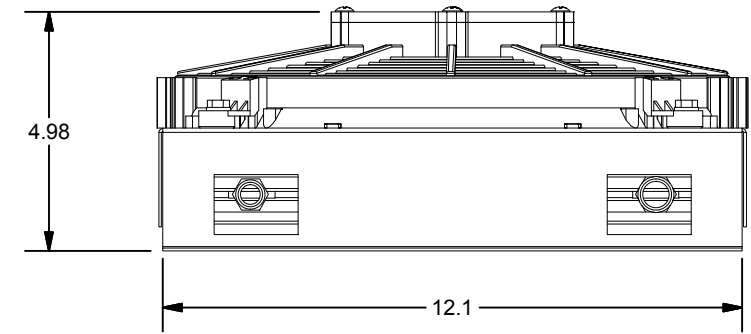
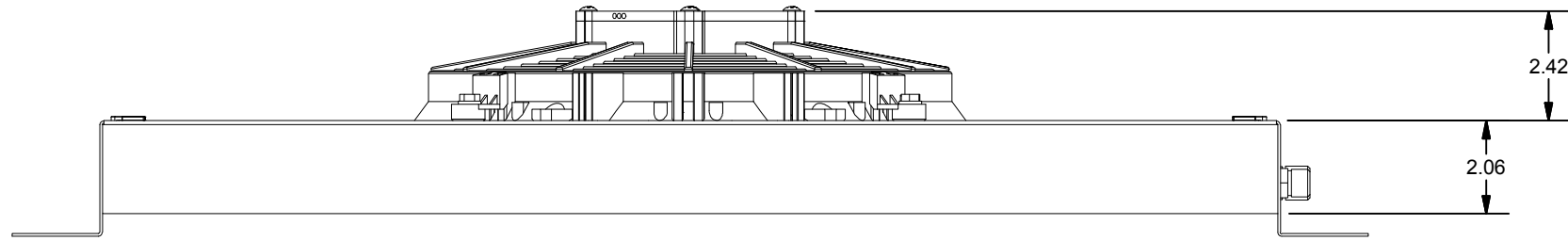
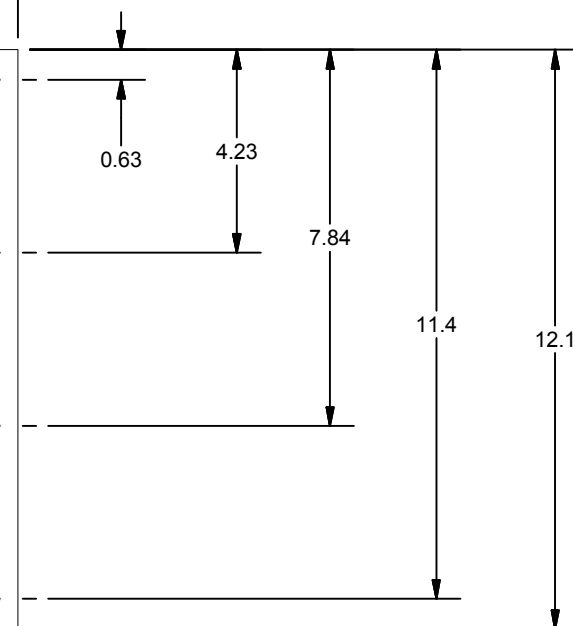


07-34010 FOOTPRINT AND MOUNTING INFORMATION



Mounting Hole Spacing



Mounting Specifications	
Quantity	Description
8	3/8" x 1" SLOT



DTAC- HEAVY EQUIPMENT HEAT/COOL SYSTEMS

TITLE
07-34010 FOOTPRINT AND MOUNTING INFORMATION

MODELED

JSHAW

DRAWN

jhamaker

DWG NAME
07-34010 Drawings.idw

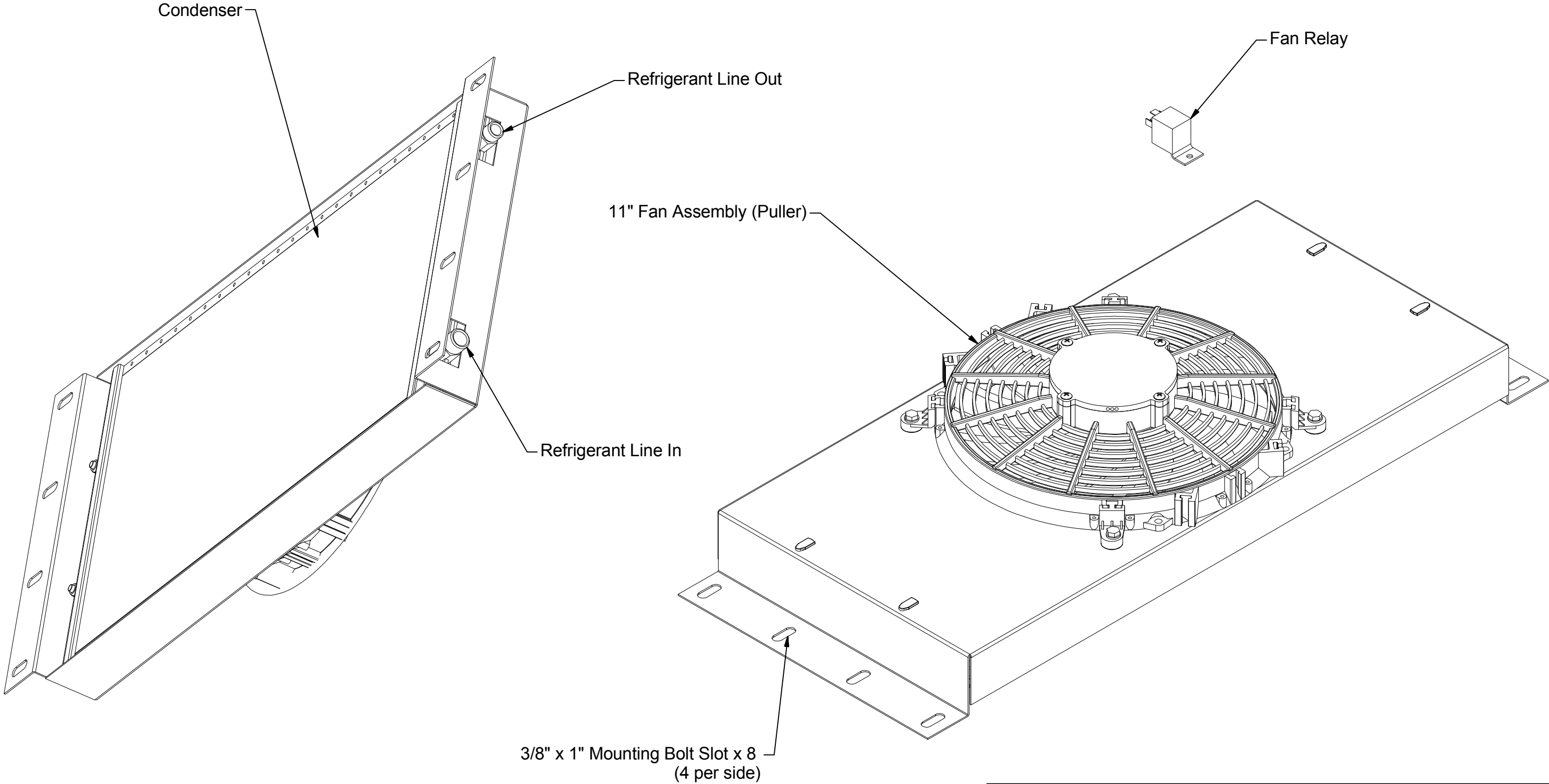
SIZE
B

8/19/2011

NOTE: ALL UNITS IN INCHES

SHEET 1 OF 4

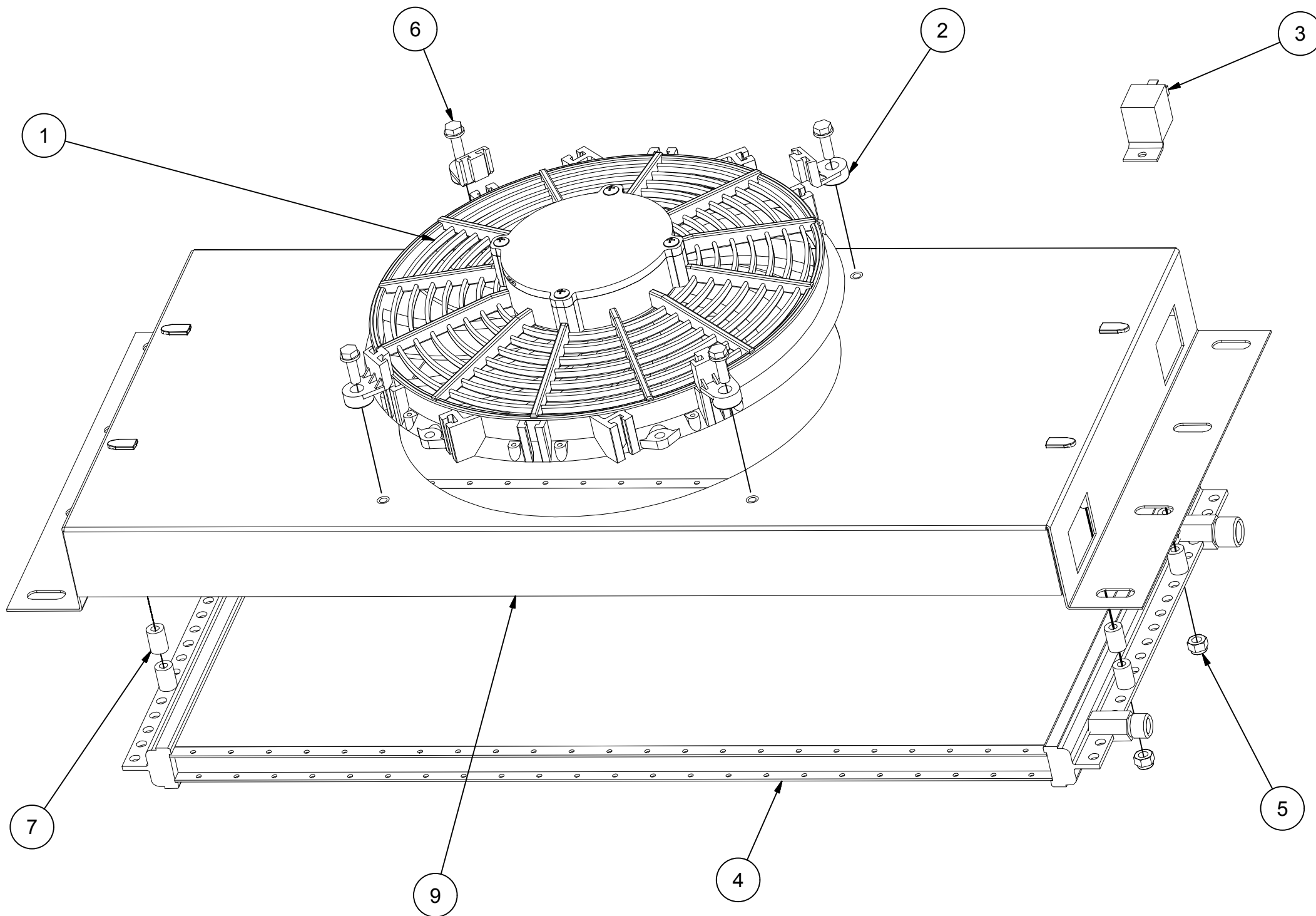
07-34010 FEATURE SPECIFICATIONS



3/8" x 1" Mounting Bolt Slot x 8
(4 per side)

DTAC [®]		DTAC- HEAVY EQUIPMENT HEAT/COOL SYSTEMS	
		TITLE 07-34010 FEATURE SPECIFICATIONS	
MODELED		DWG NAME 07-34010 Drawings.idw	
DRAWN	8/19/2011	SIZE B	NOTE: ALL UNITS IN INCHES
jhamaker			SHEET 2 OF 4

07-34010 PARTS BREAKDOWN AND UNIT SPECIFICATIONS

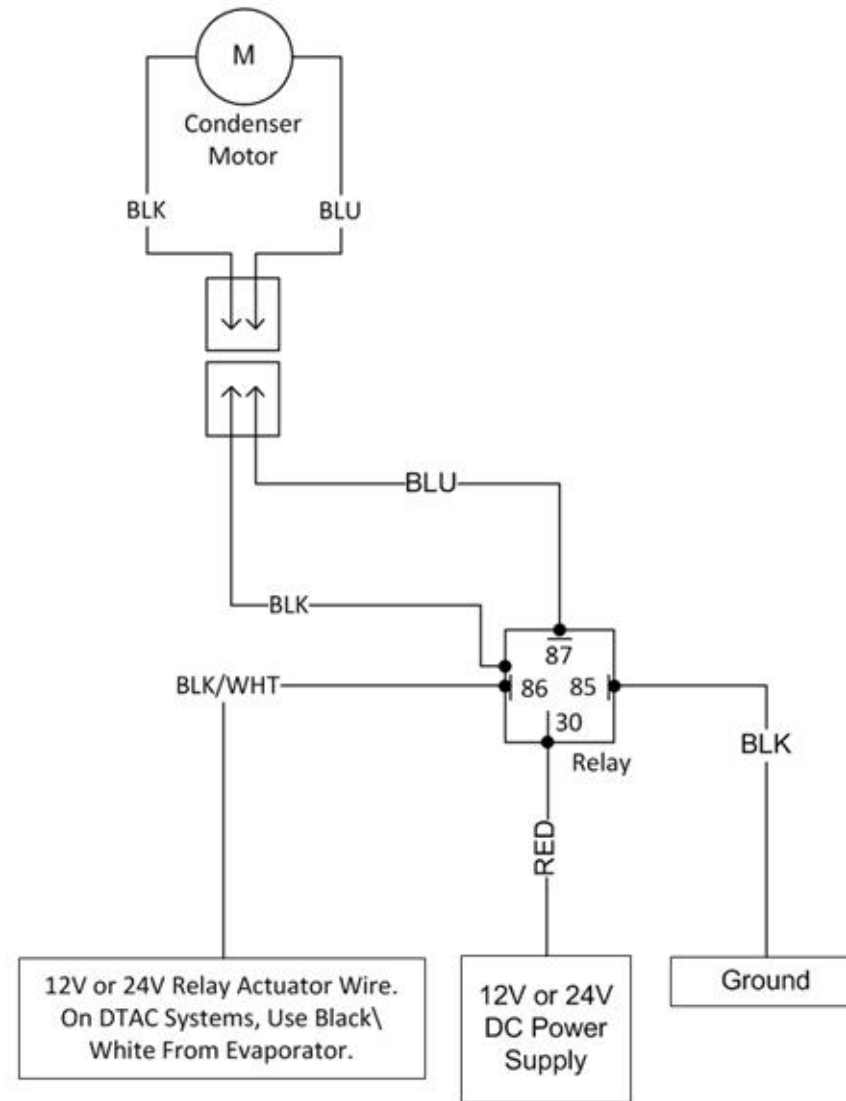


Parts Breakdown				
ITEM	QTY	PART NUM	DESCRIPTION	NOTE
1	1	02-4011S or 02-4011S-24	11" Fan Asm, 12V Puller or 11" Fan Asm, 24V Puller	
2	4	02-50025	Mount Leg	
3	1	03-01702 or 03-01704	12V Relay or 24V Relay	
4	1	07-01490	Radiator Mount Cond	
5	4	12-00001	1/4-20 Nylon Nut	
6	4	12-00002	1/4-20 X 3/4 Whiz Flange Bolt	
7	8	12-00071	Spacer, 1/4" x 5/8"	
8	1	12-00098	Wire Harness	1
9	1	34-00010	Housing	
-	-	Note 1	Part not shown	

UNIT SPECIFICATIONS					
BTU'S COOL	AIR FLOW	WEIGHT	MOTOR	CURRENT DRAW	DTAC NO.
25,000	690 CFM	27 LBS	1-12V	10.7 AMPS @ 13.6 VDC	07-34010-12
"	"	"	1-24V	5.6 AMPS @ 26.8 VDC	07-34010-24

DTAC [®]		DTAC- HEAVY EQUIPMENT HEAT/COOL SYSTEMS	
		TITLE 07-34010 PARTS BREAKDOWN AND UNIT SPECIFICATIONS	
MODELED JSHAW		DWG NAME 07-34010 Drawings.idw	
DRAWN jhamaker	8/19/2011	SIZE B	NOTE: ALL UNITS IN INCHES

07-34008 & 07-34010 Series Wiring Diagram



Manufacturer of Heavy Equipment Heat/Cool Systems
5130 Edgefield Ln, TX 76065 USA
Phone 1-800-527-9477 Fax 1-800-299-5972
www.dtac.com

12-00098
08.26.10

SIZE
B

SHEET 4 OF 4