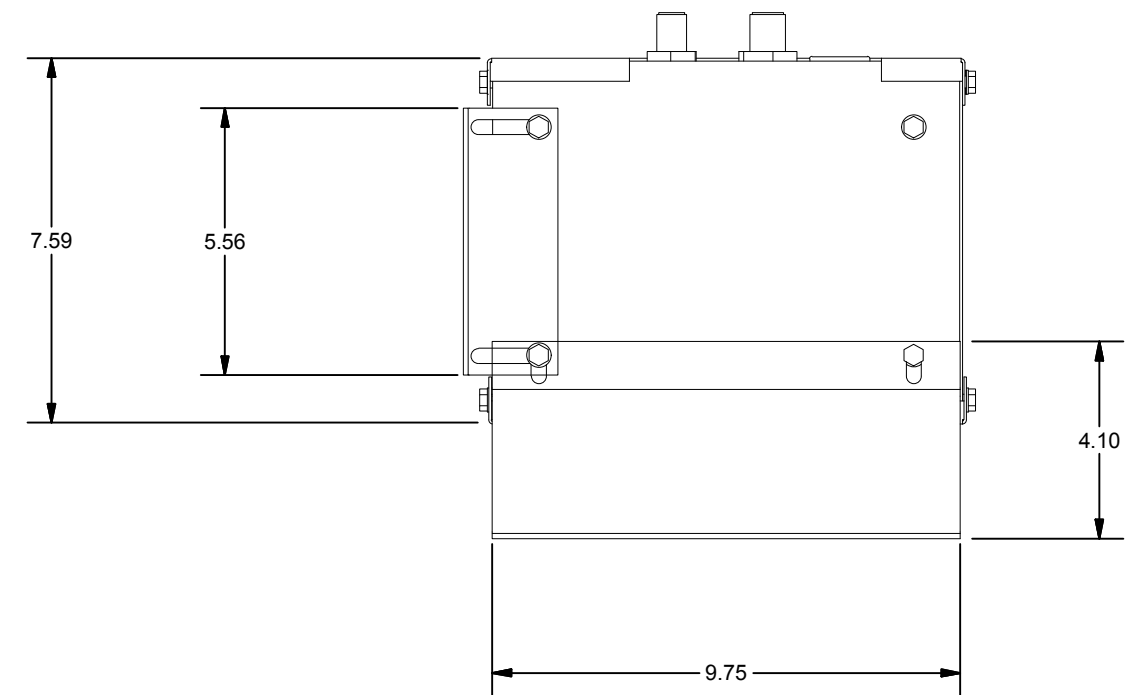
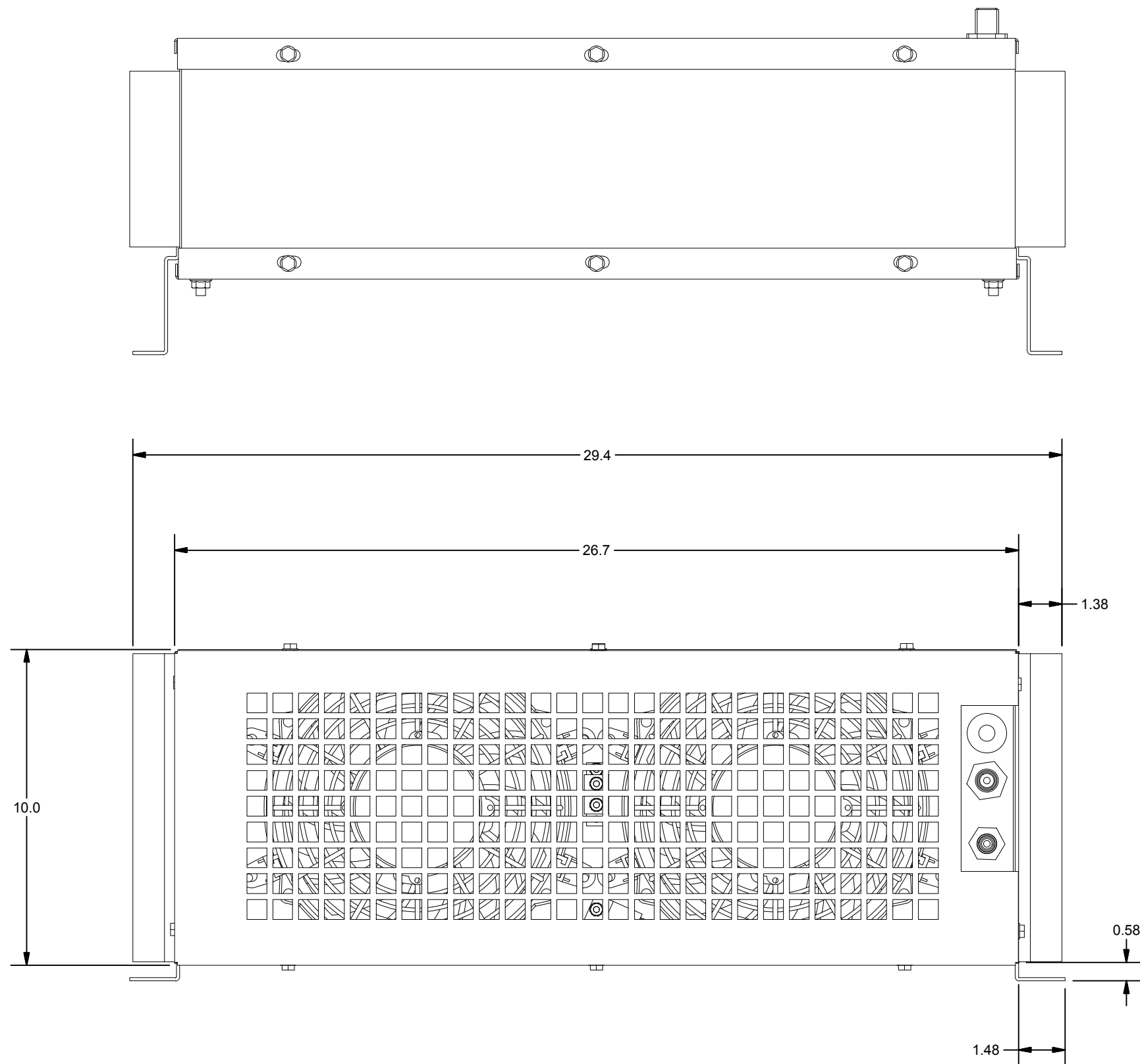



07-35002 FOOTPRINT AND MOUNTING INFORMATION

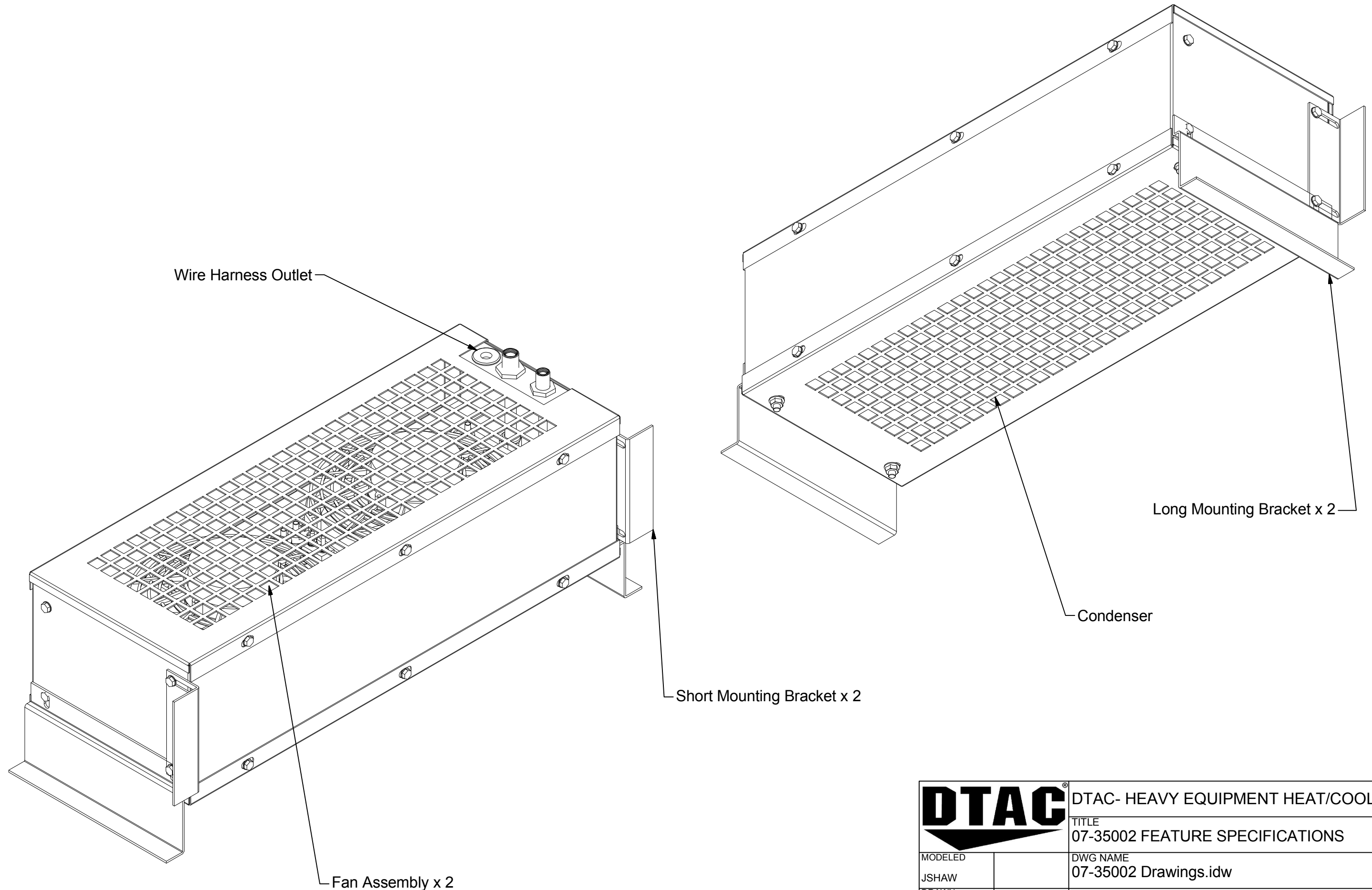



Mounting Notes:

- Both short and long brackets are shown
- Brackets are weld-ready
- Brackets can be drilled for mounting bolts

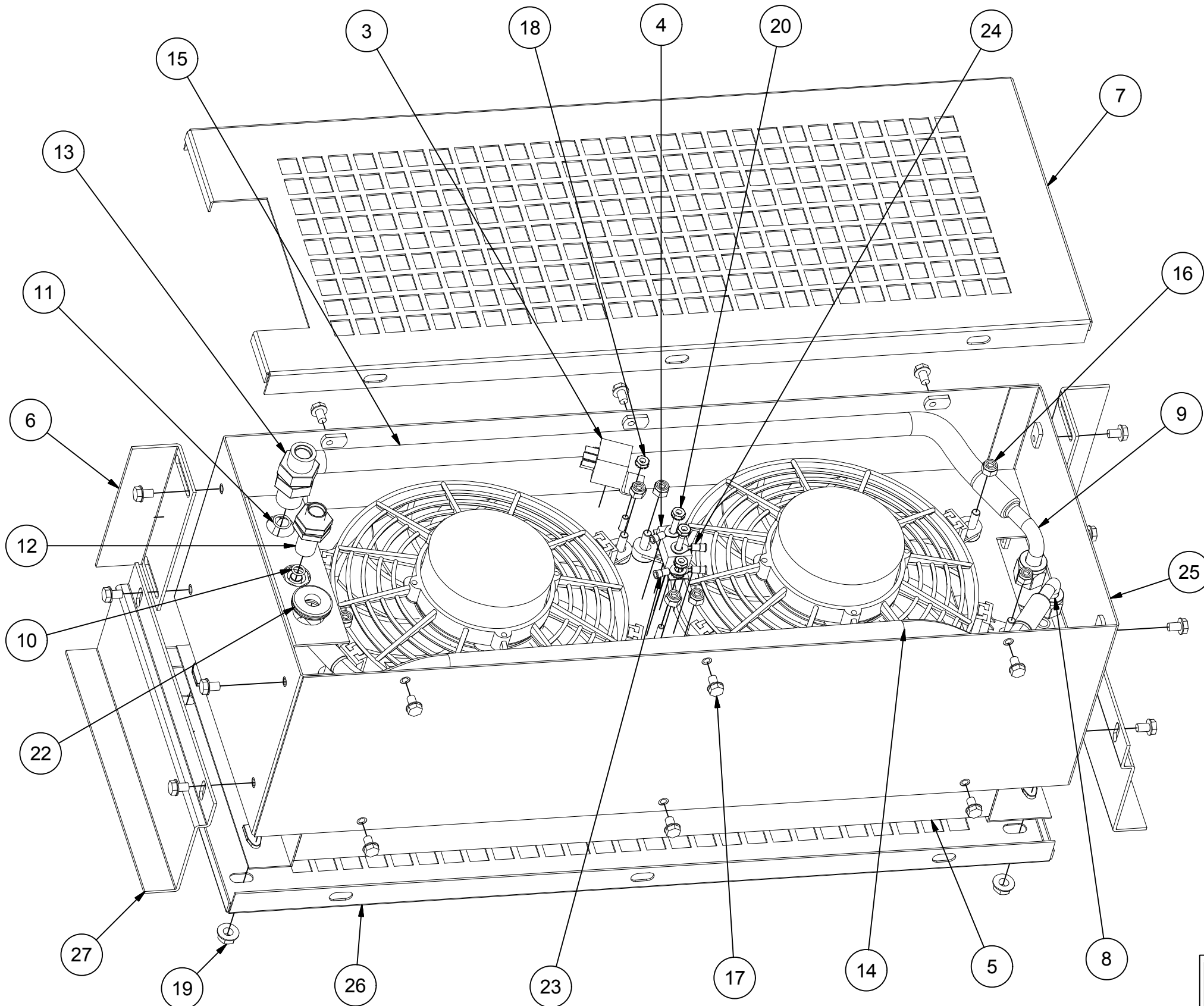
		DTAC- HEAVY EQUIPMENT HEAT/COOL SYSTEMS	
		TITLE 07-35002 FOOTPRINT AND MOUNTING INFORMATION	
MODELED JSHAW		DWG NAME 07-35002 Drawings.idw	
DRAWN jhamaker	8/23/2011	SIZE B	NOTE: ALL UNITS IN INCHES

07-35002 FEATURE SPECIFICATIONS



		DTAC- HEAVY EQUIPMENT HEAT/COOL SYSTEMS	
		TITLE 07-35002 FEATURE SPECIFICATIONS	
MODELED		DWG NAME 07-35002 Drawings.idw	
JSHAW		SIZE B	NOTE: ALL UNITS IN INCHES
DRAWN	8/23/2011		
jhamaker			SHEET 2 OF 4

07-35002 PARTS BREAKDOWN AND UNIT SPECIFICATIONS

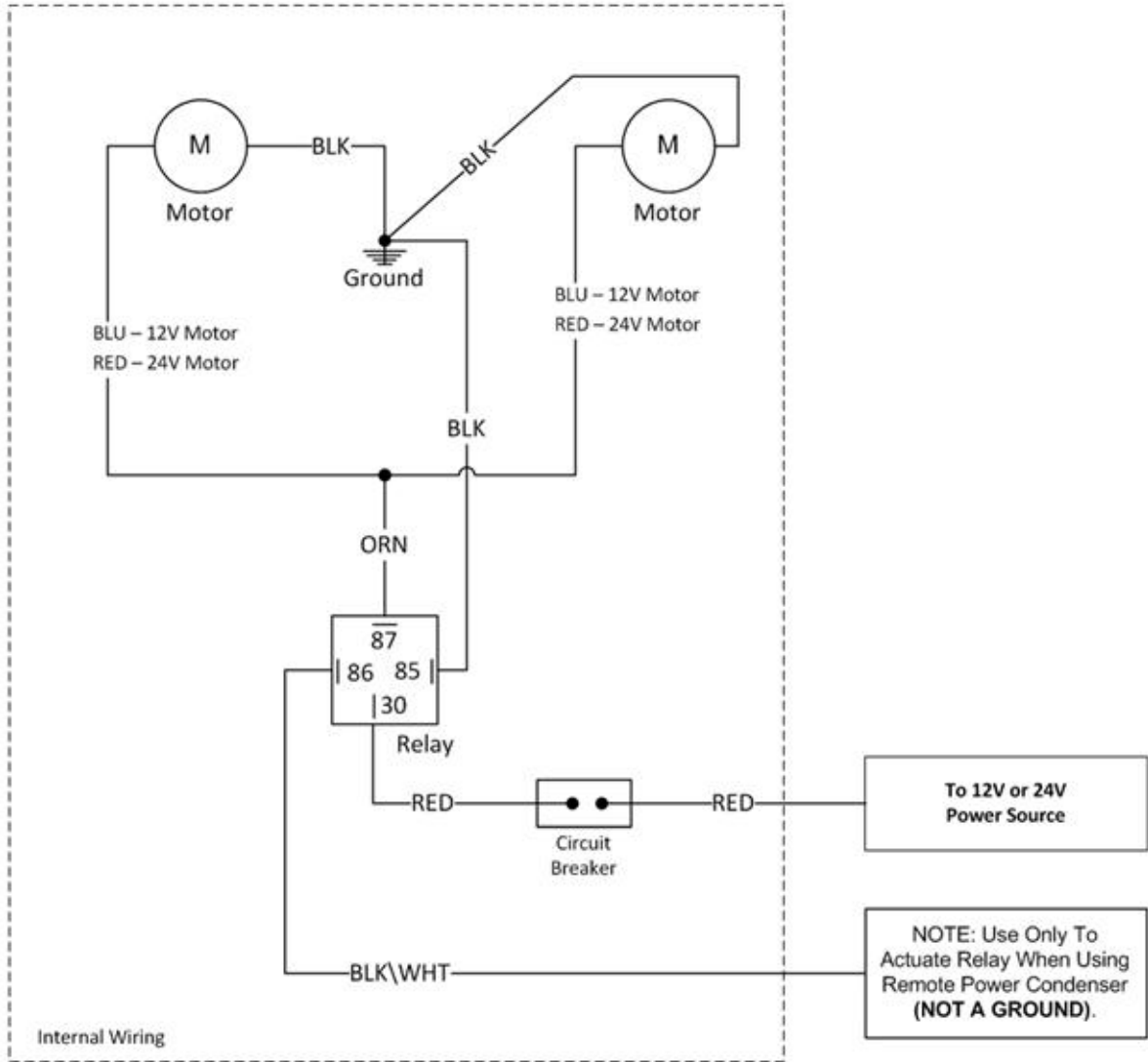


Parts Breakdown				
ITEM	QTY	DTAC NO.	DESCRIPTION	NOTE
1	2	02-4009S or 02-4009S-24	12V 9" Fan Assembly, Puller or 24V 9" Fan Assembly, Puller	
2	8	02-50025	Mount Leg	
3	1	03-01702 or 03-01704	12V Relay or 24V Relay	
4	1	03-13029	40A Circuit Breaker	
5	1	07-35001	Condenser Coil	
6	2	07-35006	Short Mnt Brkt	
7	1	07-35009	Front Cover	
8	2	09-01321SR	#6 90 Deg. FO Red.	
9	2	09-01322SR	#8 90 Deg. FO Red.	
10	2	09-04011	#6 O-Ring	
11	2	09-04012	#8 O-Ring	
12	1	09-50003	#6 MIO Bulkhead w Jam Nut	
13	1	09-50004	#8 MIO Bulkhead w Jam Nut	
14	3 ft	10-18116	#6 Reduced Hose	
15	3 ft	10-18118	#8 Reduced Hose	
16	8	12-00001	1/4 - 20 Nylon Nut	
17	20	12-00003	1/4-20 X 3/8 Bolt	
18	3	12-00041	10-24 Keps Nut	
19	4	12-00054	Whz Nut 5/16-18	
20	2	12-00062	10-32 Keps Nut	
21	1	12-00095	Relay Plug Harness	1
22	1	12-00116	One Inch Grommet	
23	2	12-313105	Blue Ring Terminal, 14-16, 1/4"	
24	2	12-314105	Yellow Ring Terminal, 10-12 .25"	
25	1	35-35000	Condenser Case	
26	1	35-35001	Back Cover	
27	2	35-35002	Long Mnt Brkt	
-	-	Note 1	Part not shown	

UNIT SPECIFICATIONS					
BTU'S COOL	AIR FLOW	WEIGHT	MOTOR	CURRENT DRAW	DTAC NO.
35,000	975 CFM	27 LBS	2-12V	10.5 AMPS @ 13.6 VDC	07-35002-12
"	"	"	2-24V	5.3 AMPS @ 26.8 VDC	07-35002-24

DTAC		DTAC- HEAVY EQUIPMENT HEAT/COOL SYSTEMS	
MODELED		TITLE 07-35002 PARTS BREAKDOWN AND UNIT SPECIFICATIONS	
JSHAW		DWG NAME 07-35002 Drawings.idw	
DRAWN	8/23/2011	SIZE B	NOTE: ALL UNITS IN INCHES
jhamaker			SHEET 3 OF 4

07-35002 Series Wire Diagram



Manufacturer of Heavy Equipment Heat/Cool Systems
 5130 Edgefield Ln, TX 76065 USA
 Phone 1-800-527-9477 Fax 1-800-299-5972
 www.dtac.com

08.23.11