



REMOTE CONDENSERS

35002 Series

Remote Mount Condenser



FEATURES

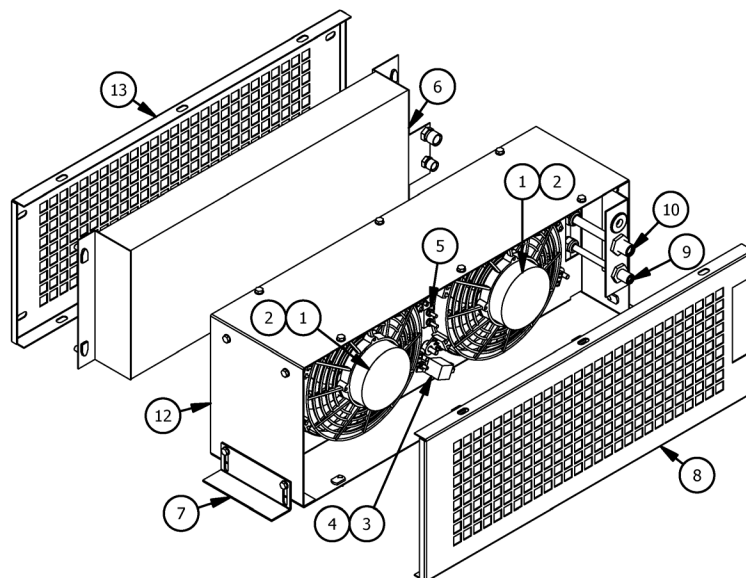
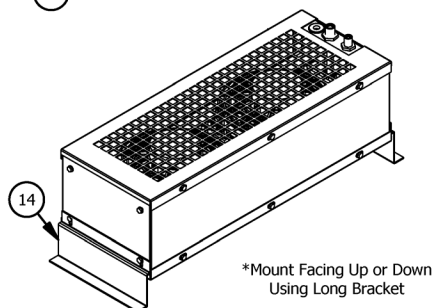
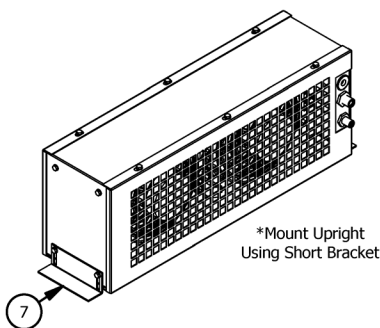
- Available 12 or 24 Volt
- Can Be Used as a Puller or Pusher Fan
- Two 9" High Capacity Fan Assemblies
- Can Be Mounted at Any Angle Imaginable:
 - Upright
 - Facing Down
 - Facing Up
- Steel Case with Gray Powder Coat Finish

External Wiring	
Wire	Description
Bl/White	Condenser Fan Activator
Red	Power In

Internal Wiring of Condenser Relay	
Relay Pin	Wire
30	Black from Fan Motor
87	Red to Aux. Side of Circuit Breaker
86	Bl/White Cond. Fan Activator
85	Blue from Fan Motor & Jumper to Ground

07-35002 PARTS LIST					
ITEM	QTY 12V	QTY 24V	DTAC NO.	DESCRIPTION	NOTE
1	2	0	02-4009S-12	9", 12V Fan Assembly	
2	0	2	02-4009S-24	9", 24V Fan Assembly	
3	1	0	03-01702	12V Relay	
4	0	1	03-01704	24V Relay	
5	1	1	03-13029	40A Circuit Breaker	
6	1	1	07-35001	07-35001	
7	2	2	07-35006	Short Mnt Brkt	
8	1	1	07-35009	Front Cover	
9	1	1	09-35001A	#6 Ext Fit. 35002	
10	1	1	09-35002A	#8 Ext Fit. 35002	
11	1	1	12-00095	Relay Plug Harness	1
12	1	1	35-35000	Cond. Case	
13	1	1	35-35001	Back Cover	
14	2	2	35-35002	Long Mnt Brkt	
15			Note 1	Not Shown	

REMOTE CONDENSERS



BTU'S COOL	AIR FLOW	HEIGHT	WIDTH	DEPTH	WEIGHT	MOTOR	CURRENT DRAW	DTAC NO.
35,000	975 CFM	9.75"	26.5"	7.5"	27 LBS	1-12V	10.5 AMPS @ 13.6 VDC	07-35002-12
"	"	"	"	"	"	1-24V	5.3 AMPS @ 26.8 VDC	07-35002-24