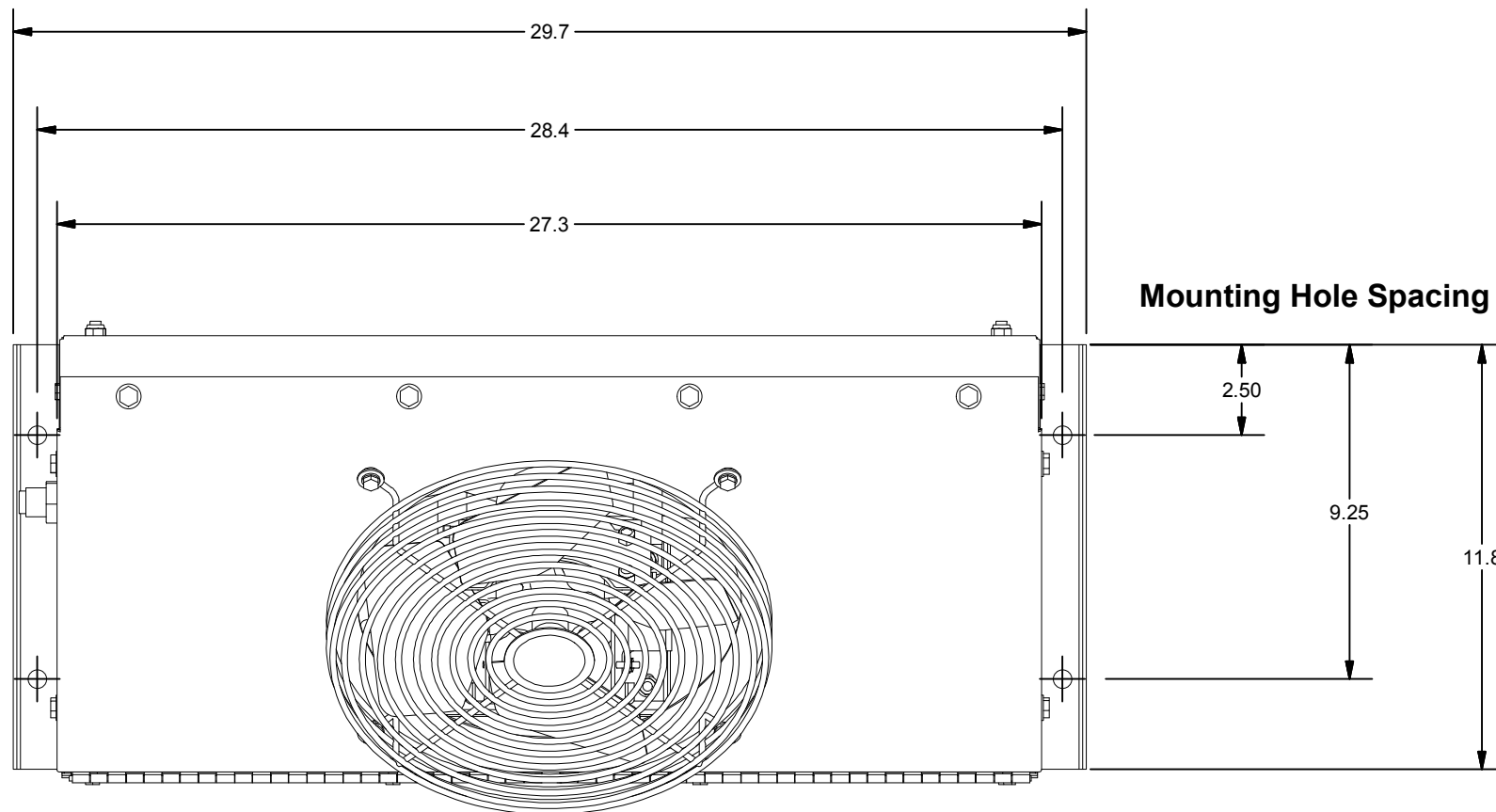
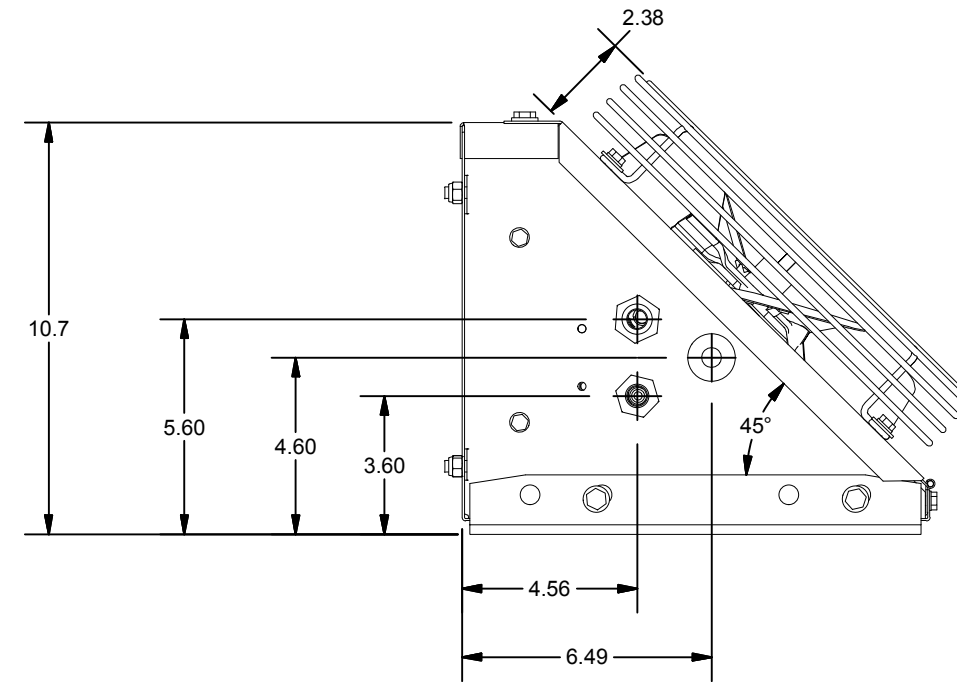
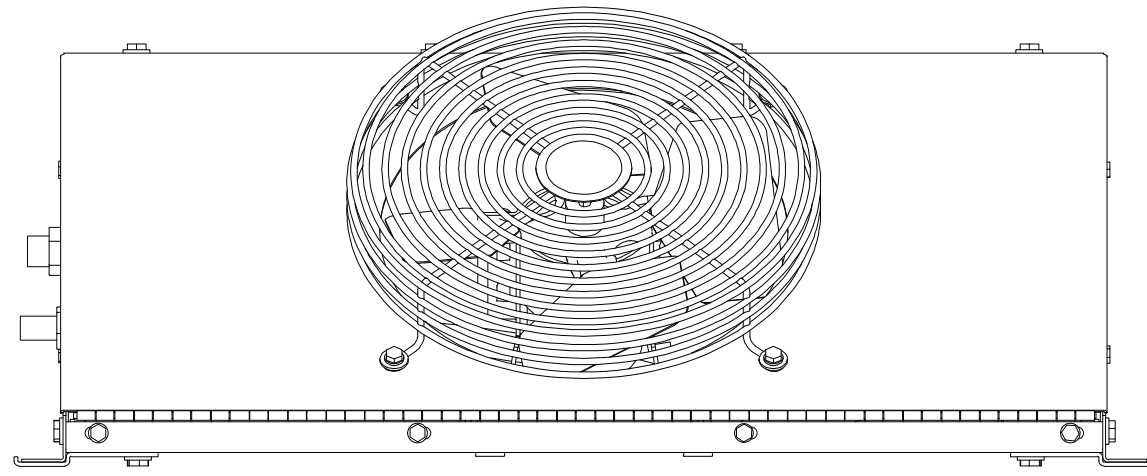



07-36001 FOOTPRINT AND MOUNTING INFORMATION

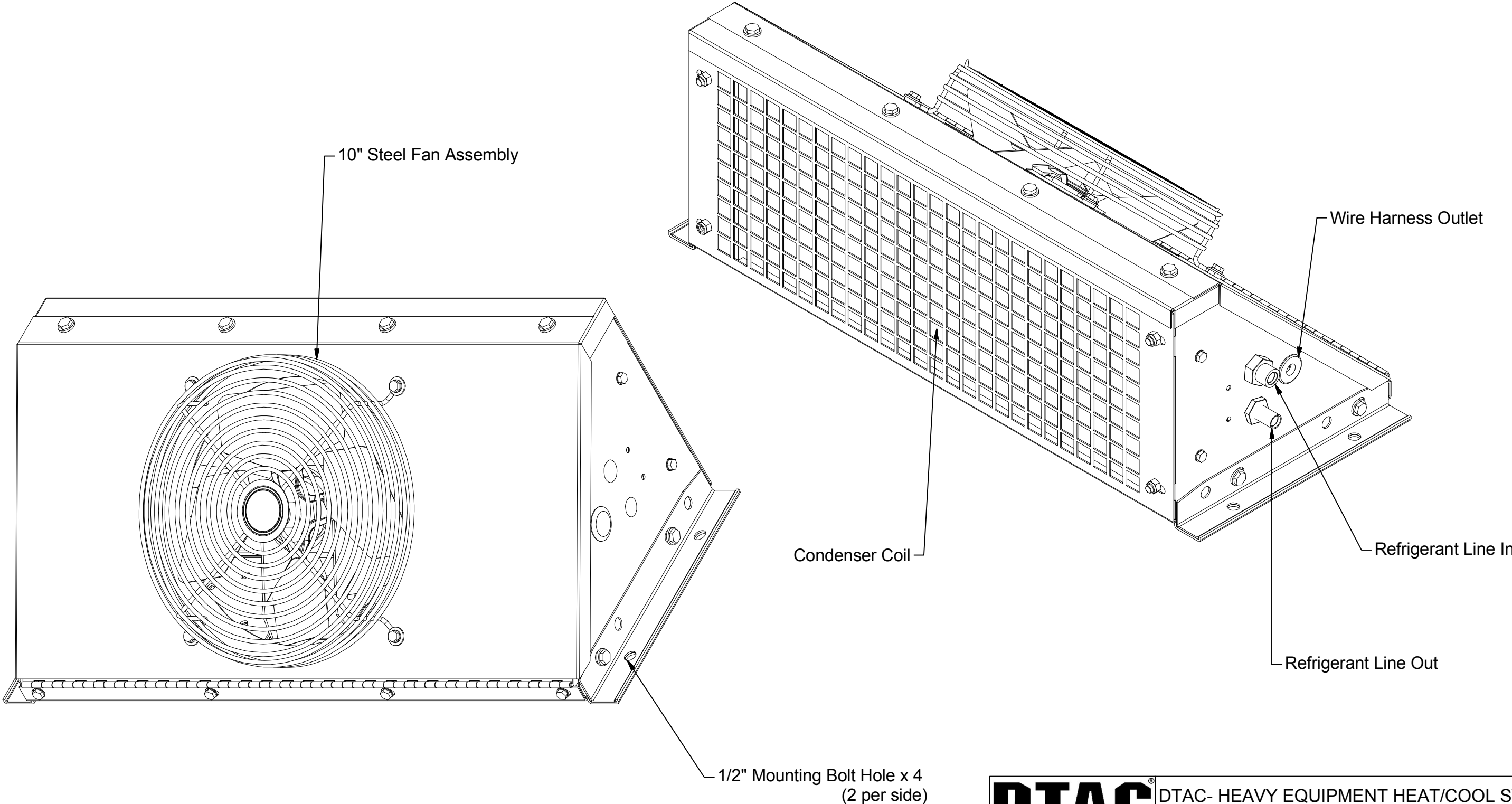


Mounting Hole Spacing

Mounting Specifications	
Quantity	Description
4	1/2" DIA HOLE- NO THREADS

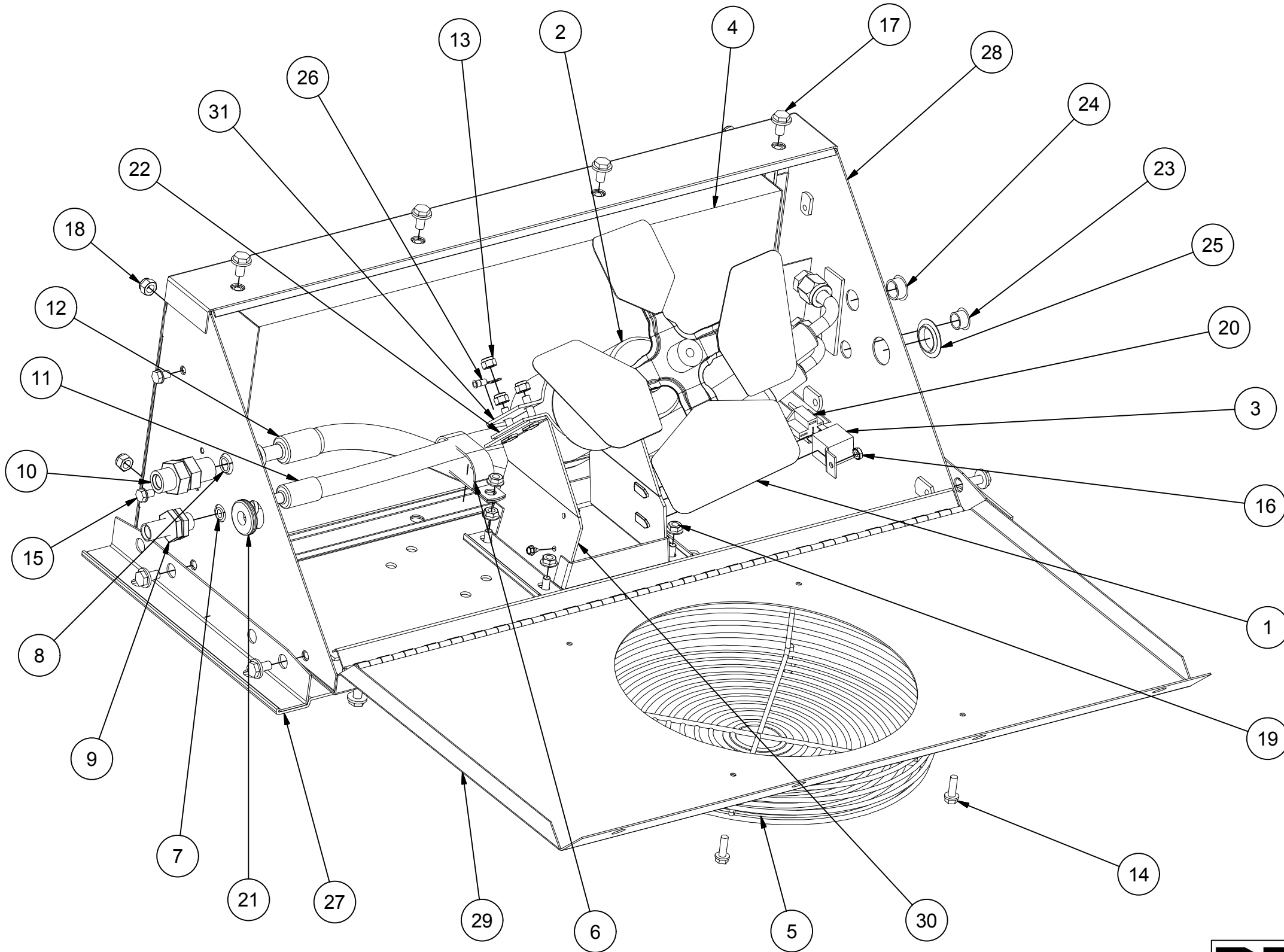
		DTAC- HEAVY EQUIPMENT HEAT/COOL SYSTEMS	
		TITLE 07-36001 FOOTPRINT AND MOUNTING INFORMATION	
MODELED	JSHAW	DWG NAME 07-36001 Drawings.idw	
DRAWN		8/19/2011	SIZE B
jhamaker		SHEET 1 OF 4	

07-36001 FEATURE SPECIFICATIONS



DTAC [®]		DTAC- HEAVY EQUIPMENT HEAT/COOL SYSTEMS	
		TITLE 07-36001 FEATURE SPECIFICATIONS	
MODELED		DWG NAME 07-36001 Drawings.idw	
JSHAW		SIZE B	NOTE: ALL UNITS IN INCHES
DRAWN	8/19/2011		
jhamaker			SHEET 2 OF 4

07-36001 PARTS BREAKDOWN AND UNIT SPECIFICATIONS



Parts Breakdown			
ITEM	QTY	DTAC NO.	DESCRIPTION
1	1	02-16008	Fan Blade
2	1	02-48005 or 02-48105	12V Cond. Motor or 24V Cond. Motor
3	1	03-01702 or 03-01704	12V Relay or 24V Relay
4	1	07-35001	Condenser Coil
5	1	07-36008	Grille
6	2	09-04004	Double Hose Clamp- Steel
7	2	09-04011	#6 O-Ring
8	2	09-04012	#8 O-Ring
9	1	09-50003	#6 MIO Bulkhead w Jam Nut
10	1	09-50004	#8 MIO Bulkhead w Jam Nut
11	1	10-36006	#6 Hose Assy.
12	1	10-36008	#8 Hose Assy.
13	5	12-00001	1/4 - 20 Nylon Nut
14	4	12-00002	1/4-20 X 3/4 Whiz Flange Bolt
15	8	12-00003	1/4-20 X 3/8 Bolt
16	1	12-00041	10-24 Keps Nut
17	12	12-00045	5/16-18 X 1/2 Whiz Flange Bolt
18	4	12-00053	5/16-18 Nylock Nut
19	6	12-00057	1/4-20 Whiz Nut
20	1	12-00095	Relay Plug Harness
21	1	12-00116	One Inch Grommet
22	1	12-00130	Bottom Motor Mount
23	1	12-02663	5/8" Button Plug
24	1	12-02683	3/4" Button Plug
25	1	12-02783	1" Button Plug
26	1	12-313105	Blue Ring Terminal, 14-16, 1/4"
27	2	36-36003	Mounting Brkt, 36000
28	1	36-36004	BTM Housing 36000
29	1	36-36005	Housing, Lid 36000
30	1	36-36008	Motor Mount Base
31	1	40-00005	Top Motor Mount

UNIT SPECIFICATIONS					
BTU'S COOL	AIR FLOW	WEIGHT	MOTOR	CURRENT DRAW	DTAC NO.
33,000	740 CFM	42 LBS	1-12V	12.6 AMPS @ 13.6 VDC	07-36001-12
"	"	"	1-24V	6.4 AMPS @ 26.8 VDC	07-36001-24



DTAC- HEAVY EQUIPMENT HEAT/COOL SYSTEMS

TITLE
07-36001 PARTS BREAKDOWN AND UNIT SPECIFICATIONS

MODELED

JSHAW

DRAWN

jhamaker

DWG NAME

07-36001 Drawings.idw

SIZE

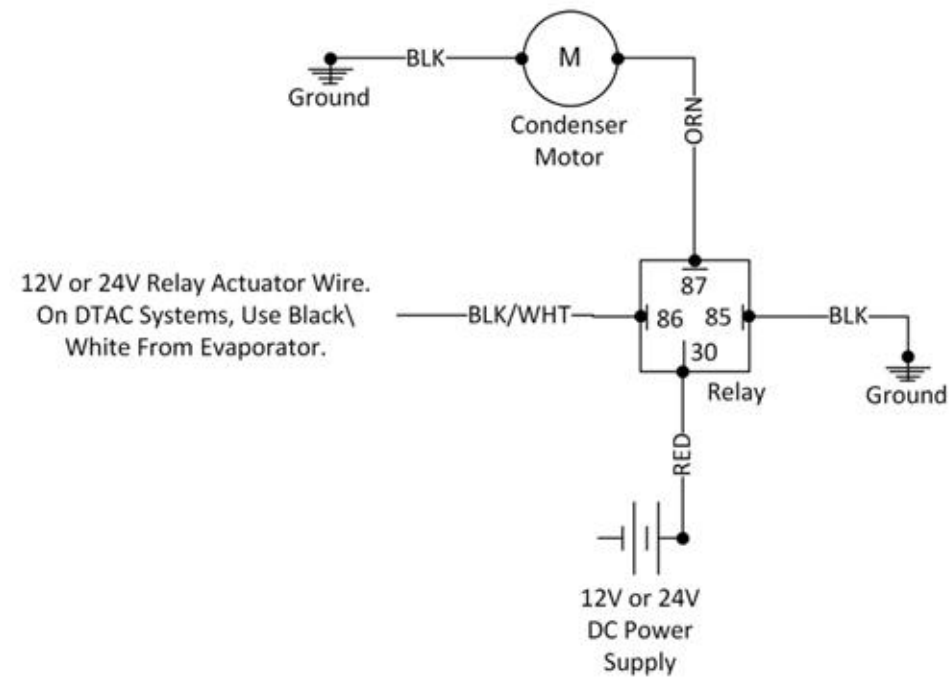
B

8/19/2011

NOTE: ALL UNITS IN INCHES

SHEET 3 OF 4

07-36001 Series Wiring Diagram



Manufacturer of Heavy Equipment Heat/Cool Systems
5130 Edgefield Ln, TX 76065 USA
Phone 1-800-527-9477 Fax 1-800-299-5972
www.dtac.com

12-00095
08.24.10

SIZE
B

SHEET 4 OF 4