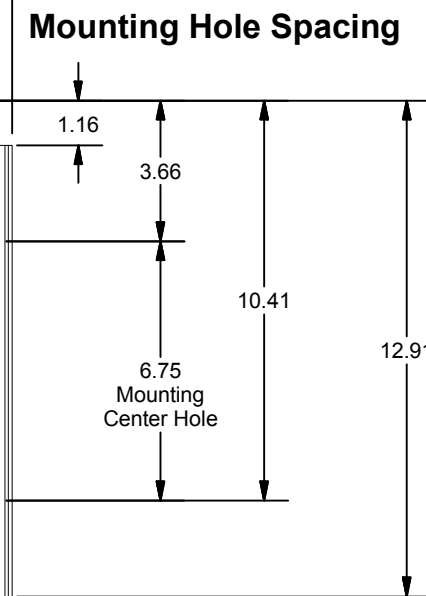
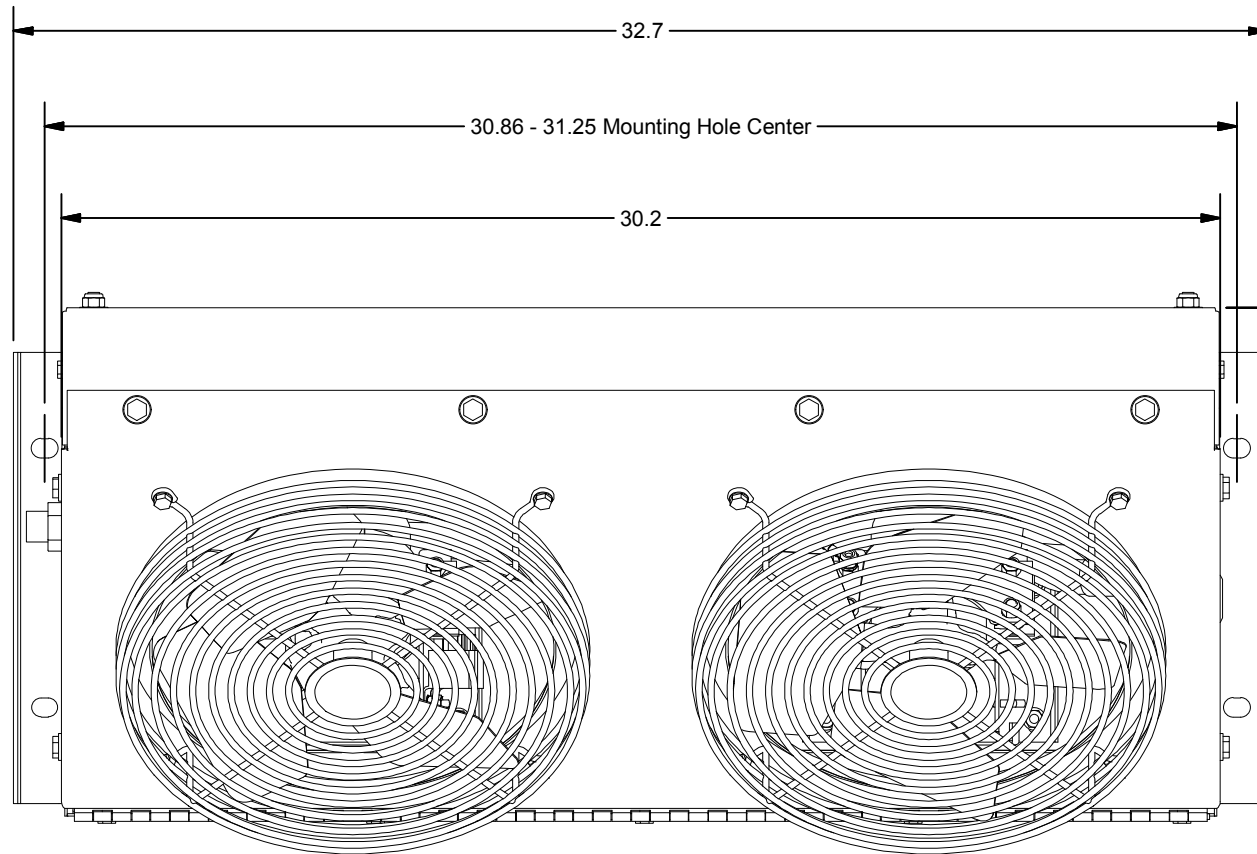
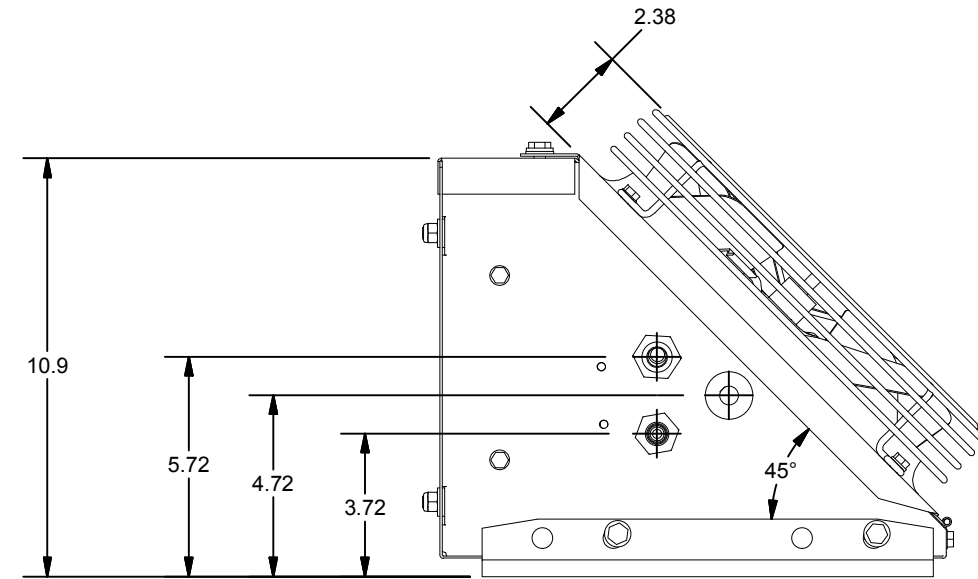
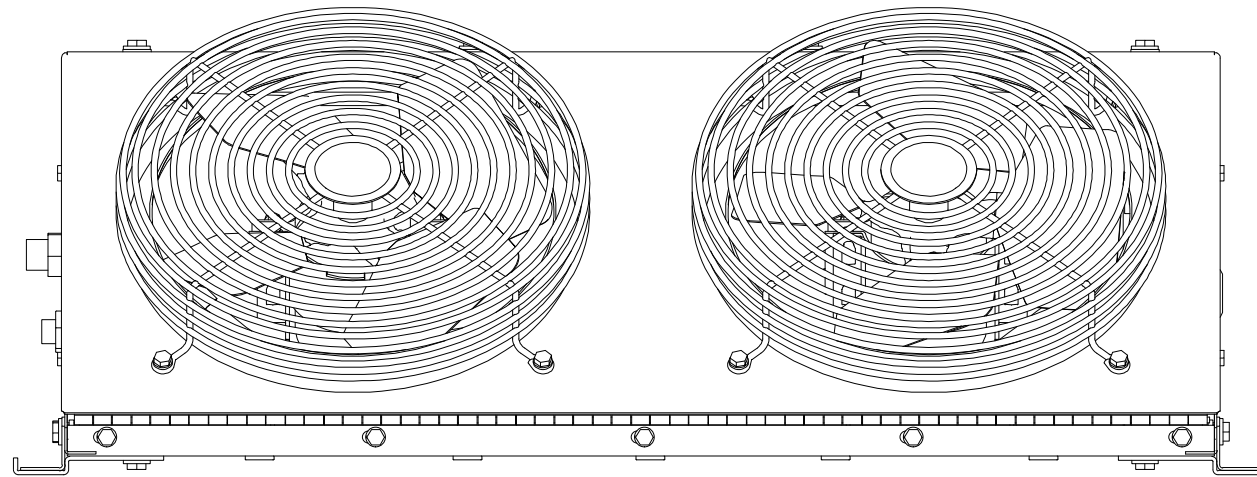



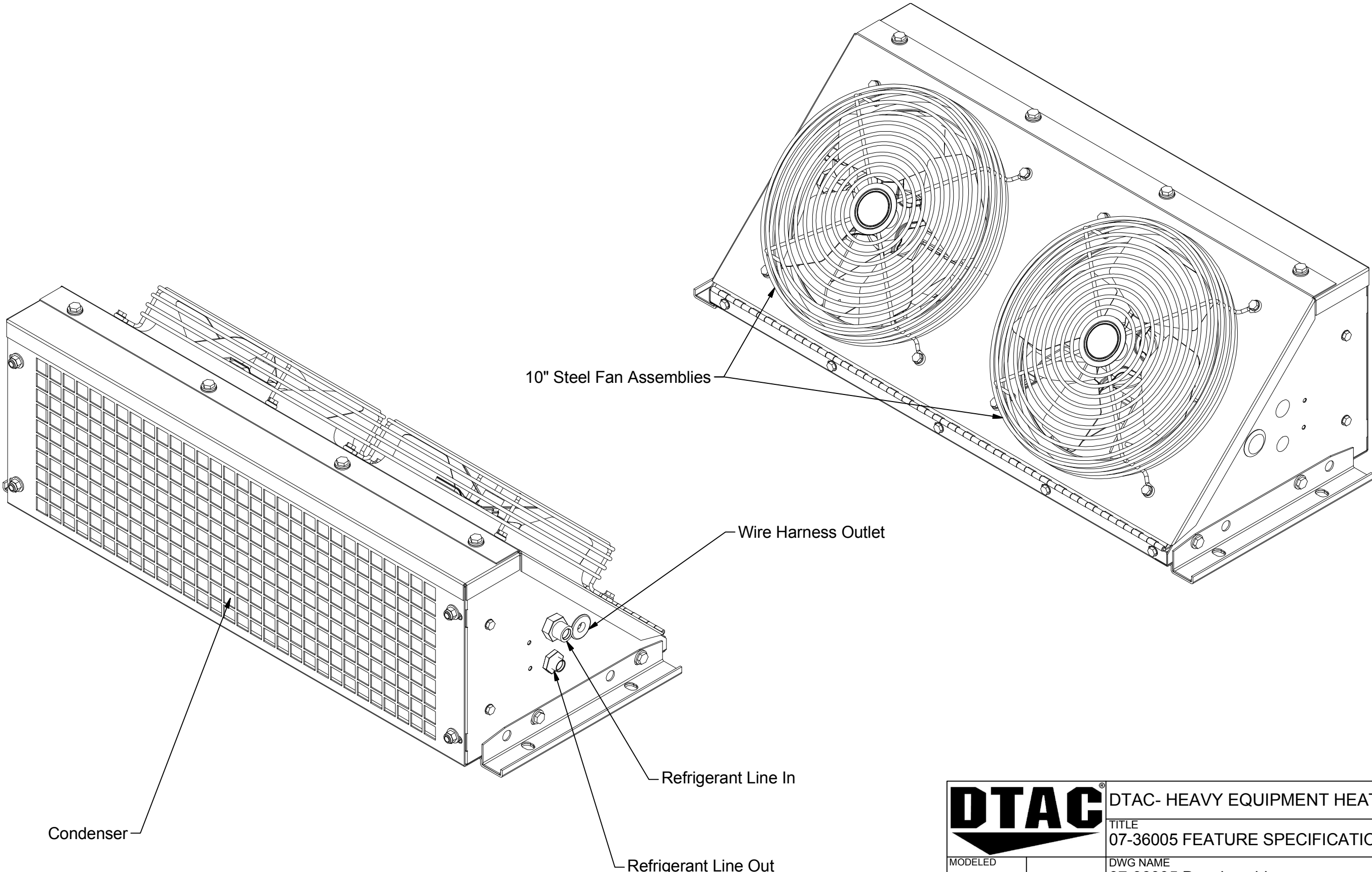
07-36005 FOOTPRINT AND MOUNTING INFORMATION



Mounting Specifications	
Quantity	Description
4	1/2 x 11/16" DIA HOLE- NO THREADS

		DTAC- HEAVY EQUIPMENT HEAT/COOL SYSTEMS	
		TITLE 07-36005 FOOTPRINT AND MOUNTING INFORMATION	
MODELED		DWG NAME 07-36005 Drawings.idw	
JSHAW		SIZE B	NOTE: ALL UNITS IN INCHES
DRAWN	4/5/2013		
jshaw			SHEET 1 OF 4

07-36005 FEATURE SPECIFICATIONS



Condenser

10" Steel Fan Assemblies

Wire Harness Outlet

Refrigerant Line In

Refrigerant Line Out



DTAC- HEAVY EQUIPMENT HEAT/COOL SYSTEMS

TITLE
07-36005 FEATURE SPECIFICATIONS

MODELED
JSHAW
DRAWN
jshaw

DWG NAME
07-36005 Drawings.idw

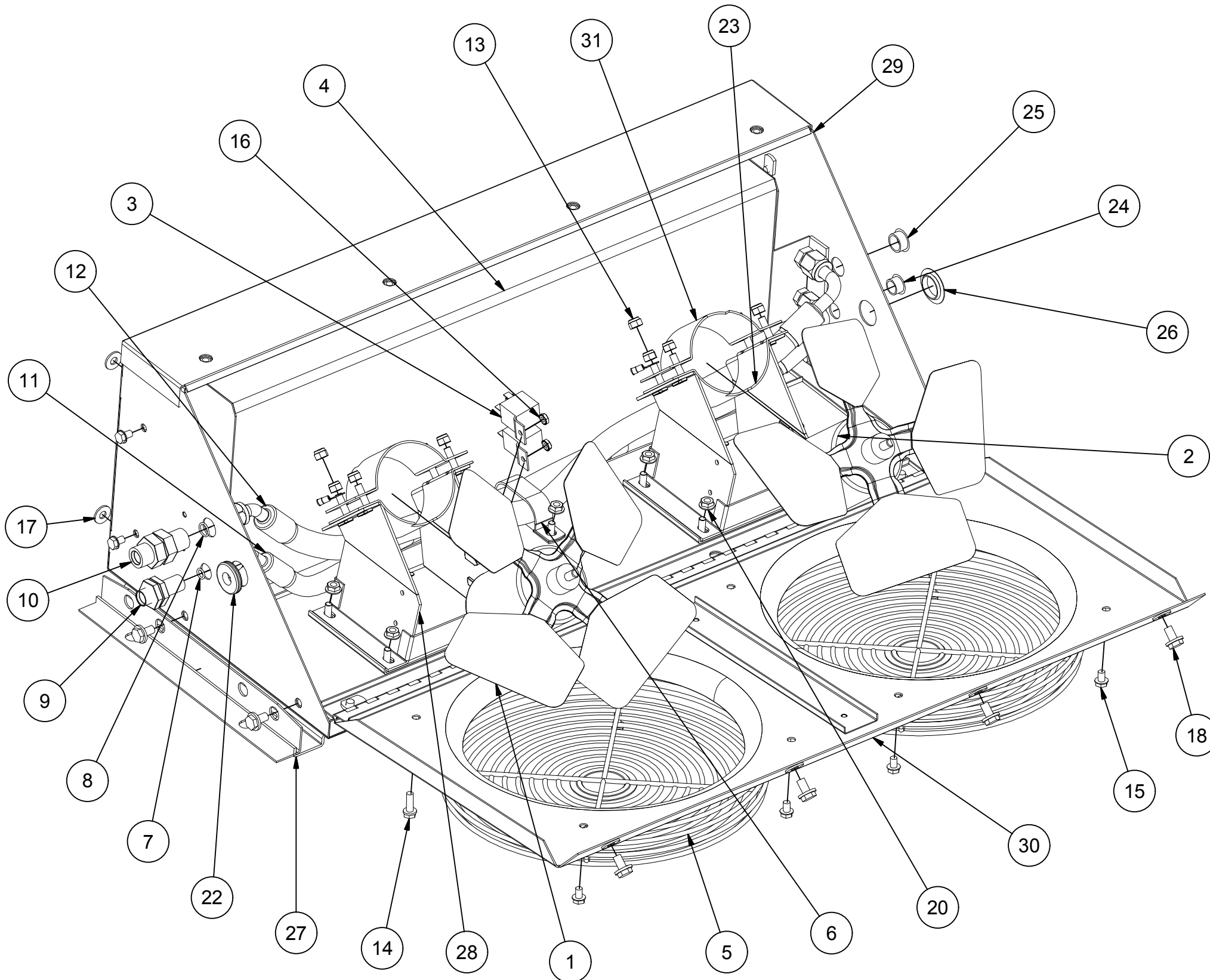
4/5/2013

SIZE
B

NOTE: ALL UNITS IN INCHES

SHEET 2 OF 4

07-36005 PARTS BREAKDOWN AND UNIT SPECIFICATIONS

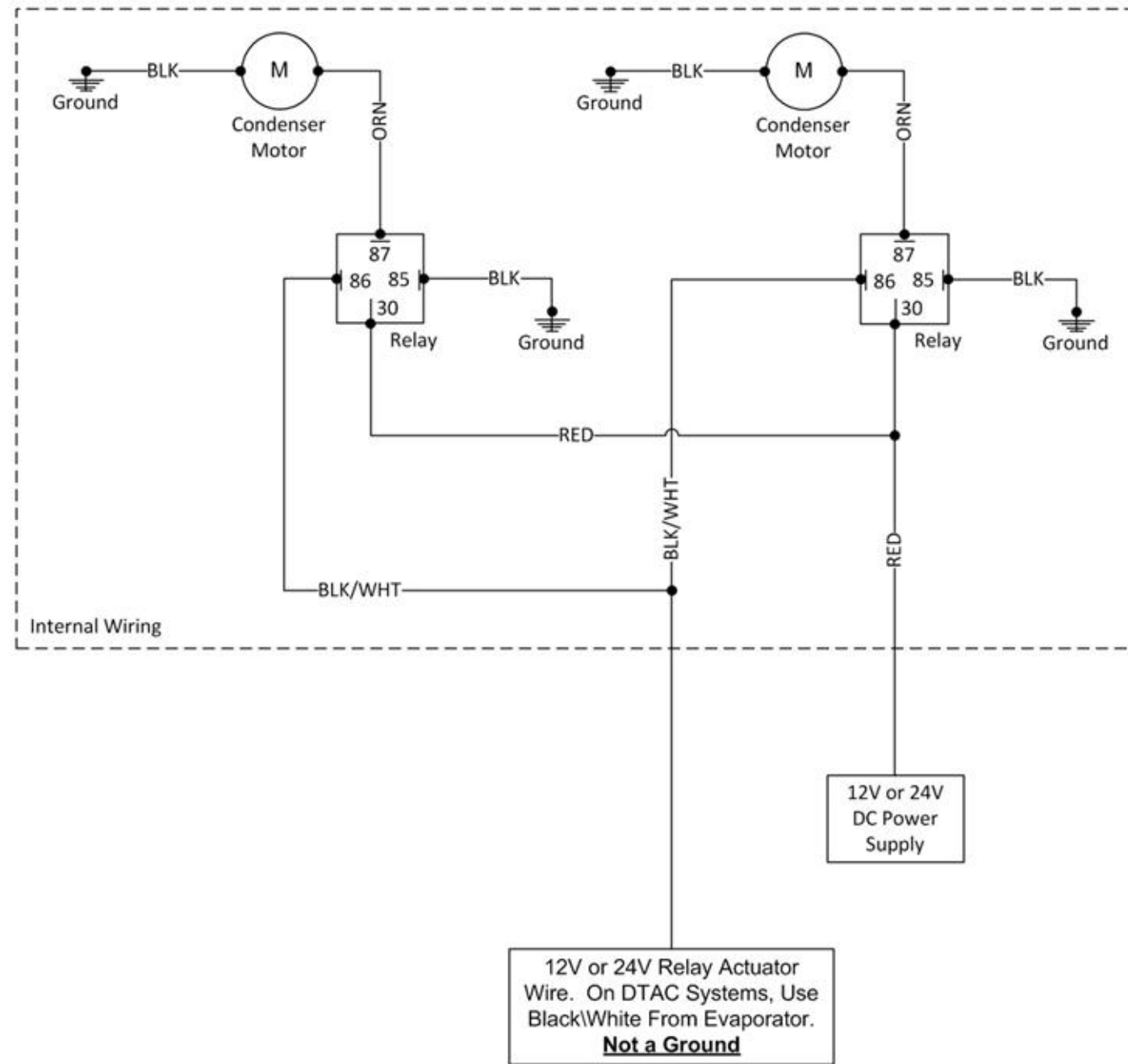


Parts Breakdown				
ITEM	QTY	DTAC NO.	DESCRIPTION	NOTE
1	2	02-16008	Fan Blade	
2	2	02-48005 or 02-48105	12V Cond. Motor or 24V Cond. Motor	
3	2	03-01702 or 03-01704	12V Relay or 24V Relay	
4	1	07-36005	Condenser Coil, 36005	
5	2	07-36008	Grille	
6	1	09-04004	Double Hose Clamp- Steel	
7	2	09-04011	#6 O-Ring	
8	2	09-04012	#8 O-Ring	
9	1	09-50003	#6 MIO Bulkhead w Jam Nut	
10	1	09-50004	#8 MIO Bulkhead w Jam Nut	
11	1	10-36506	#6 Hose Assembly, 36005	
12	1	10-36508	#8 Hose Assembly, 36005	
13	10	12-00001	1/4 - 20 Nylon Nut	
14	4	12-00002	1/4-20 X 3/4 Whiz Flange Bolt	
15	13	12-00003	1/4-20 X 3/8 Bolt	
16	2	12-00041	10-24 Keps Nut	
17	12	12-00044	1/4 Flat Washer	
18	12	12-00045	5/16-18 X 1/2 Whiz Flange Bolt	
19	4	12-00053	5/16-18 Nylock Nut	
20	9	12-00057	1/4-20 Whiz Nut	
21	1	12-00086	Wire Harness	1
22	1	12-00116	One Inch Grommet	
23	2	12-00130	Top Motor Mount	
24	1	12-02663	5/8" Button Plug	
25	1	12-02683	3/4" Button Plug	
26	1	12-02783	1" Button Plug	
27	2	36-36003	Mounting Brkt, 36000	
28	2	36-36008	Motor Mount Base	
29	1	36-50000	BTM Housing 36005	
30	1	36-50001	Lid Assembly 36005	
31	2	40-00005	Top Motor Mount	
-	-	Note 1	Part not shown	

UNIT SPECIFICATIONS					
BTU'S COOL	AIR FLOW	WEIGHT	MOTOR	CURRENT DRAW	DTAC NO.
44,500	1440 CFM	61 LBS	2-12V	25.4 AMPS @ 13.6 VDC	07-36005-12
"	"	"	2-24V	12.8 AMPS @ 26.8 VDC	07-36005-24

DTAC		DTAC- HEAVY EQUIPMENT HEAT/COOL SYSTEMS	
		TITLE 07-36005 PARTS BREAKDOWN AND UNIT SPECIFICATIONS	
MODELED JSHAW		DWG NAME 07-36005 Drawings.idw	
DRAWN jshaw		4/5/2013	SIZE B
			NOTE: ALL UNITS IN INCHES
			SHEET 3 OF 4

07-36005 Series Wiring Diagram



Manufacturer of Heavy Equipment Heat/Cool Systems
 5130 Edgefield Ln, TX 76065 USA
 Phone 1-800-527-9477 Fax 1-800-299-5972
 www.dtac.com

12-00086
 08.24.10

SIZE
 B