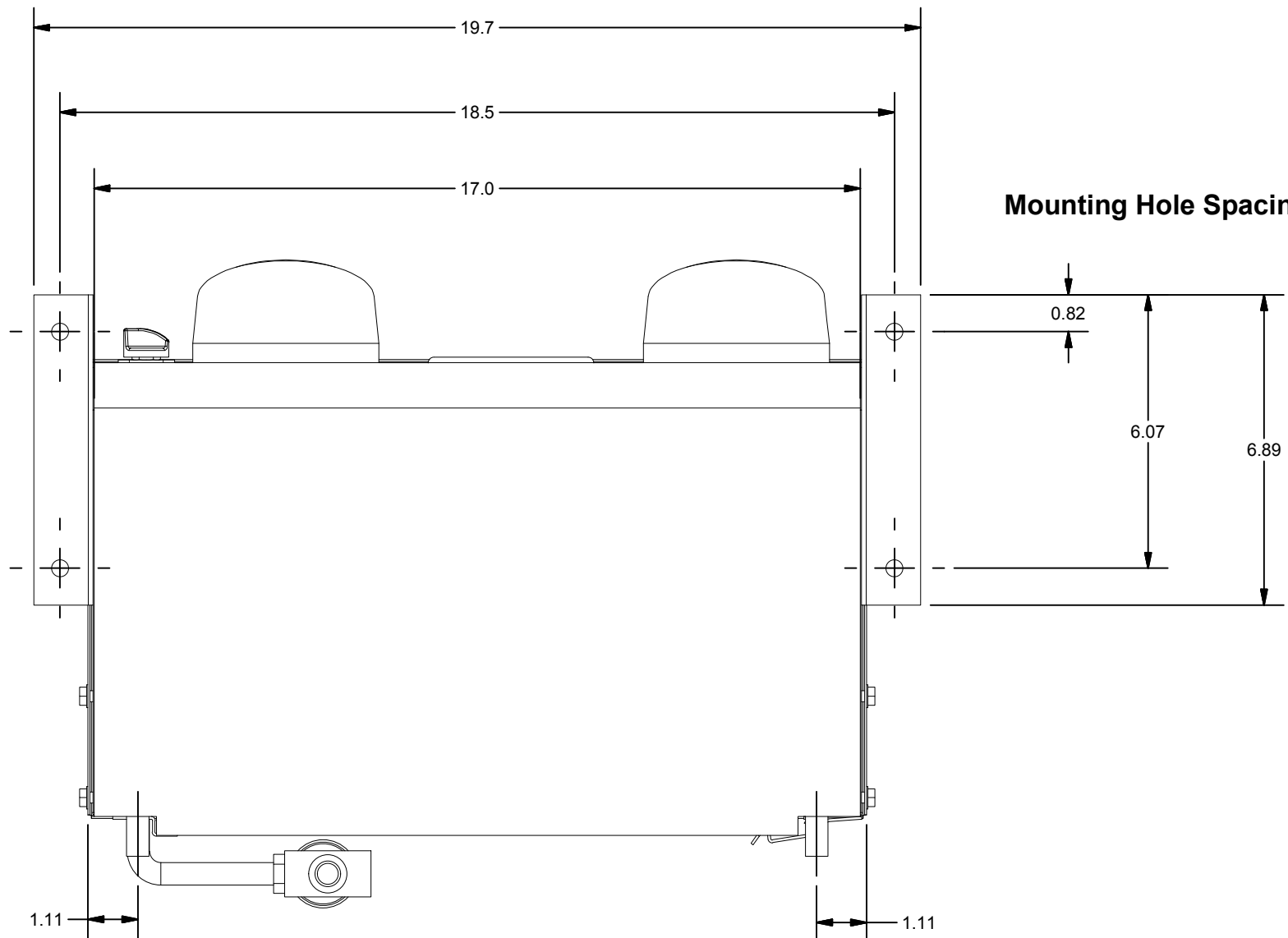
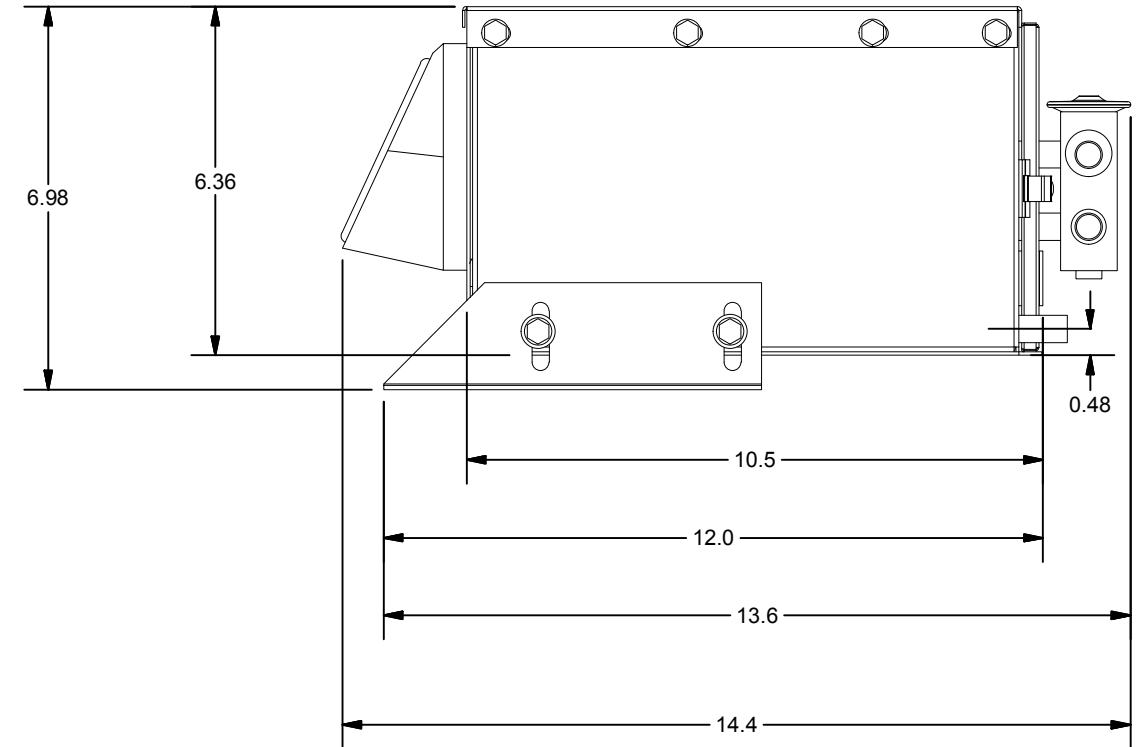
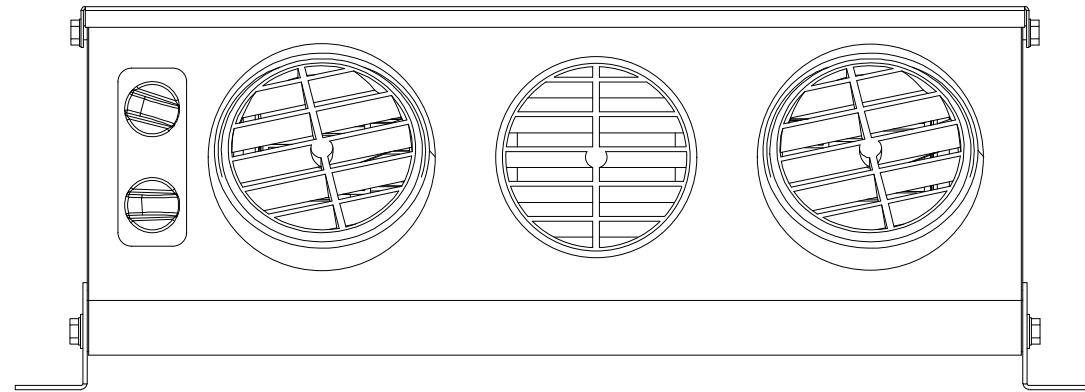



144 FOOTPRINT AND MOUNTING INFORMATION



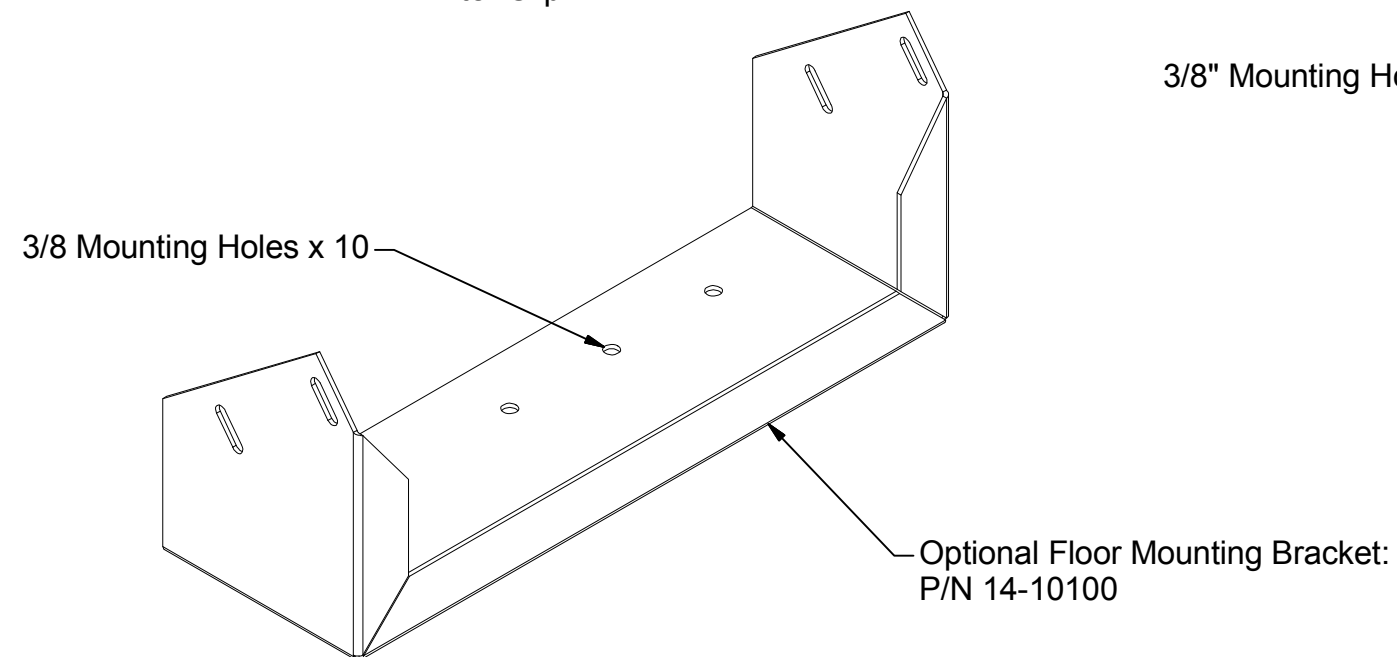
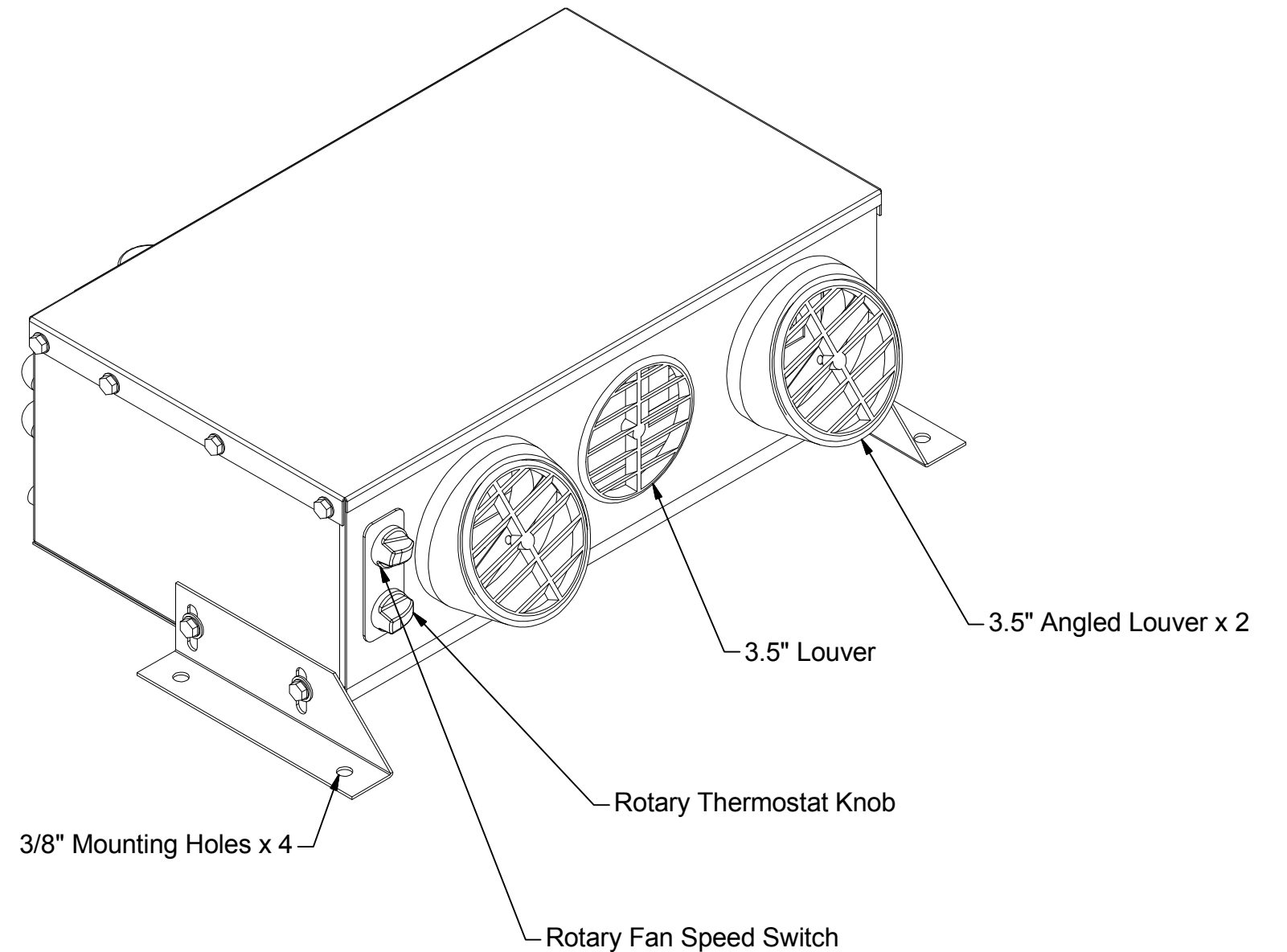
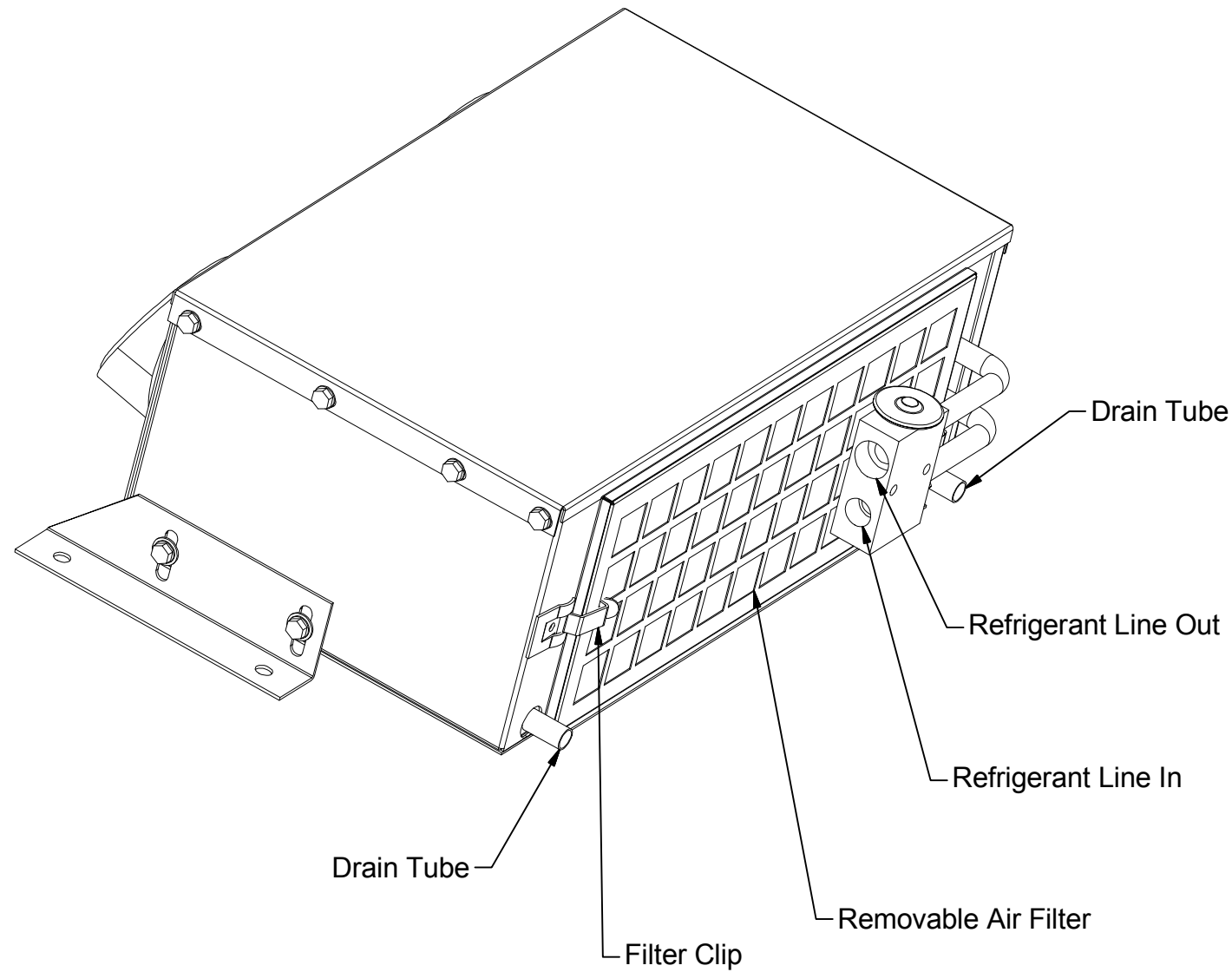
Mounting Hole Spacing

Mounting Specifications	
Quantity	Description
4	3/8" DIA HOLE- NO THREADS

NOTE: Identical to 141 unit with 2 angled louvers

		DTAC- HEAVY EQUIPMENT HEAT/COOL SYSTEMS	
		TITLE 144 FOOTPRINT AND MOUNTING INFORMATION	
MODELED JSHAW		DWG NAME 144 Drawings.idw	
DRAWN jhamaker	8/4/2011	SIZE B	NOTE: ALL UNITS IN INCHES

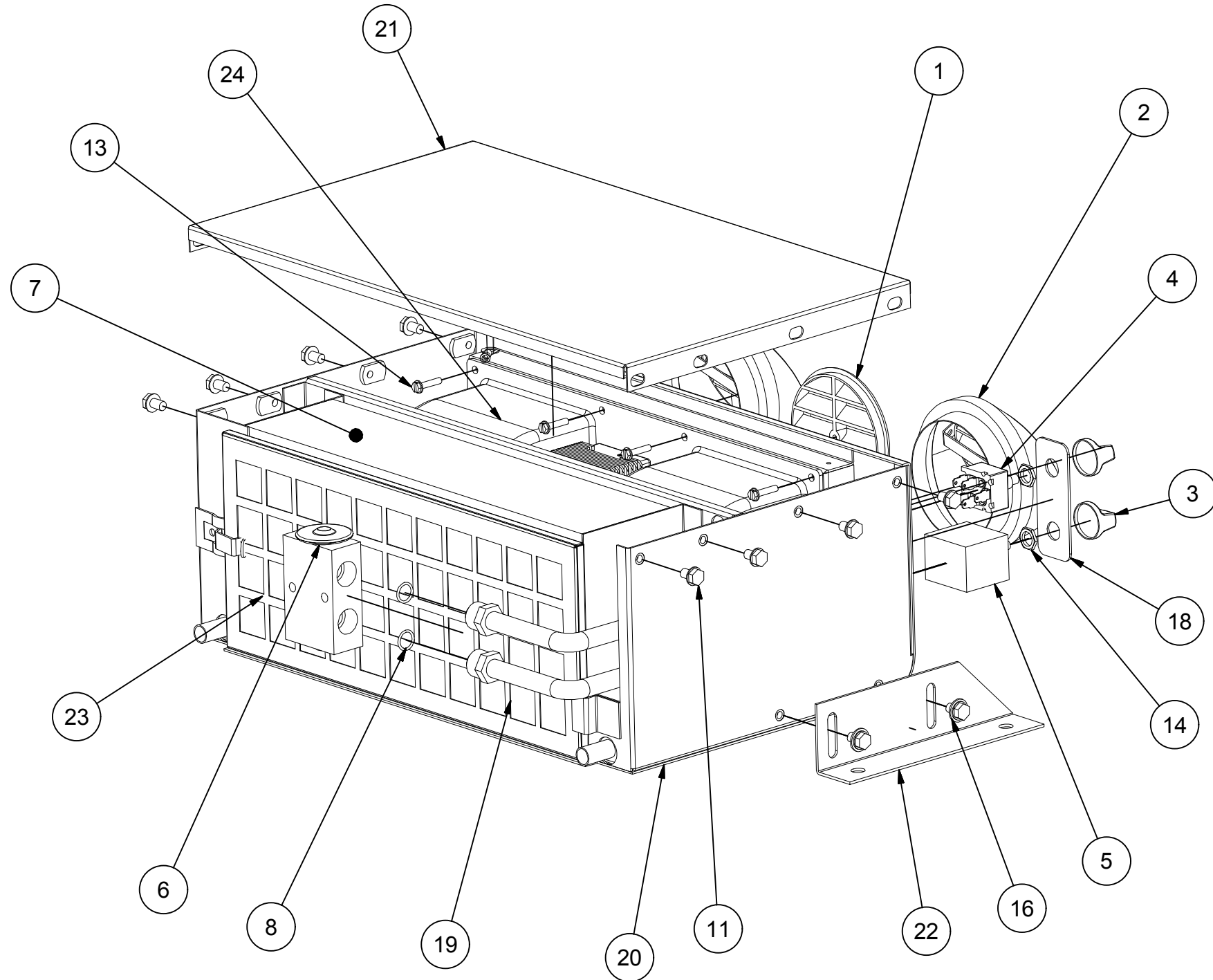
144 FEATURE SPECIFICATIONS



NOTE: Identical to 141 unit with 2 angled louvers

DTAC [®]		DTAC- HEAVY EQUIPMENT HEAT/COOL SYSTEMS	
		TITLE 144 FEATURE SPECIFICATIONS	
MODELED JSHAW		DWG NAME 144 Drawings.idw	
DRAWN jhamaker	8/4/2011	SIZE B	NOTE: ALL UNITS IN INCHES

144 PARTS BREAKDOWN AND UNIT SPECIFICATIONS

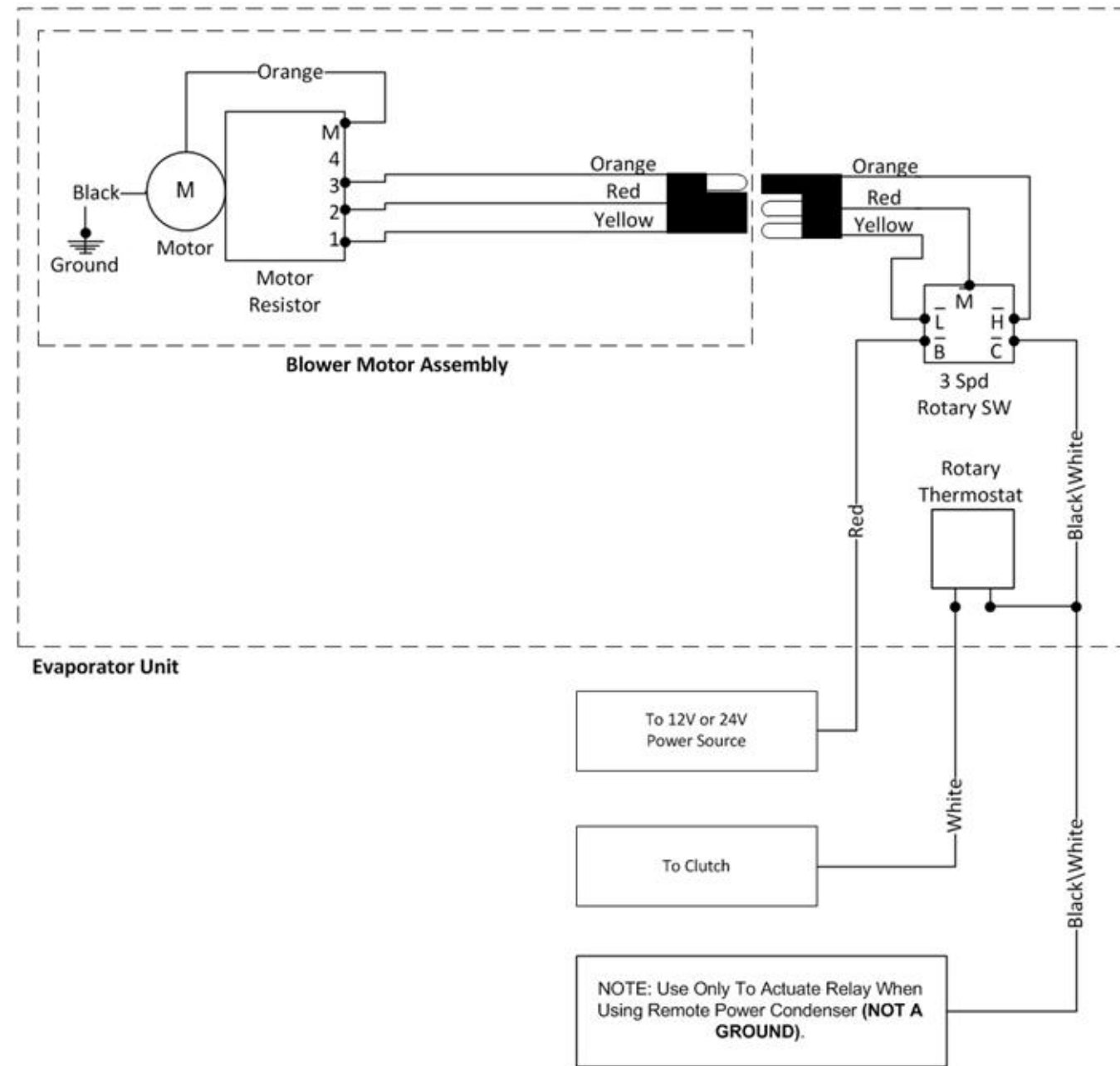


Parts Breakdown				
ITEM	QTY	DTAC NO.	DESCRIPTION	NOTE
1	1	02-16061	3-1/2" Louver	
2	2	02-16073	3.5" Angled Louver	
3	2	03-00165	Knob	
4	1	03-13006	Rotary 3-Speed Switch	
5	1	03-14002	Rotary Thermostat	
6	1	04-15004	Block Expansion Valve	
7	1	07-00141	Evaporator Coil	
8	2	09-04012	#8 O-Ring	
9	2	10-20012	1/2" Drain Hose (2' Length)	1
10	1	11-61003	Insulation Tape	1
11	12	12-00003	1/4-20 X 3/8 Bolt	
12	1	12-00026	Wire Harness	1
13	5	12-00056	#8X3/4 Tap Screw	
14	4	12-00059	Standard Switch Nut	
15	1	12-00096	Raised DTAC Label	1
16	4	12-00109	1/4-20 Flatwasher	
17	2	12-00123	Copper Kazzoo	1
18	1	12-50419	Faceplate	
19	1	14-10000	141 Intake Filter	
20	1	14-10001A	Bottom Housing Rev	
21	1	14-10002	Lid	
22	1	14-10003	Mounting Bracket, Right	
23	1	14-10005	Mounting Bracket, Left	
24	1	30-51580	12V Blower Assembly	
-	-	Note 1	Part not shown	

UNIT SPECIFICATIONS						
BTU'S COOL	BTU'S HEAT	AIR FLOW	WEIGHT	MOTOR	CURRENT DRAW	DTAC NO.
20,000	-	295 CFM	24 LBS	1-12V	13 AMPS @ 13.5 VDC	144-12

DTAC		DTAC- HEAVY EQUIPMENT HEAT/COOL SYSTEMS	
MODELED		TITLE	
JSHAW		144 PARTS BREAKDOWN AND UNIT SPECIFICATIONS	
DRAWN		DWG NAME	
jhamaker		144 Drawings.idw	
8/4/2011		SIZE	
		B	
		NOTE: ALL UNITS IN INCHES	
		SHEET 3 OF 4	

141 & 144 Series Wire Diagram



Manufacturer of Heavy Equipment Heat/Cool Systems
 5130 Edgefield Ln, TX 76065 USA
 Phone 1-800-527-9477 Fax 1-800-299-5972
 www.dtac.com

12-00026
 07.27.09

SIZE
 B