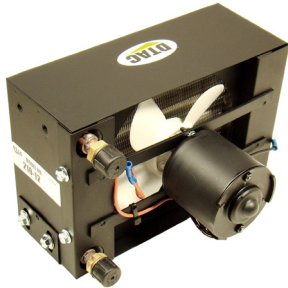




HEATERS

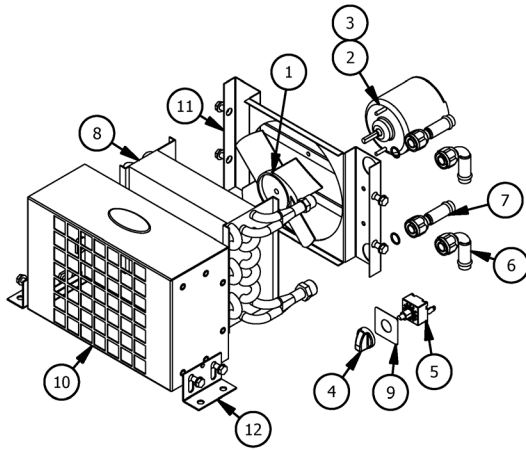
210 & 211 Series

Auxiliary Heater

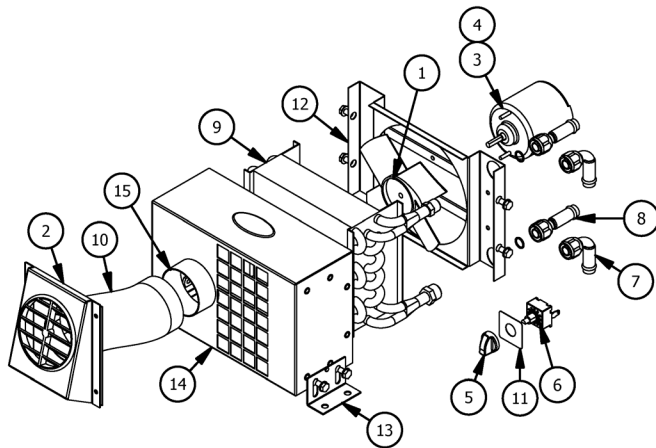


FEATURES

- Available 12 or 24 Volt Water
- Two Speed Blower
- Switch, Face Plate & Knob Included
- Steel Case with Black Powder Coat Finish
- Fittings Supplied for Through Firewall or Through Floor Installation
- Duct Hose & Defrost Outlet Supplied (211 Only)



210 PARTS LIST				
ITEM	QTY 12V	QTY 24V	DTAC NO.	DESCRIPTION
1	1	1	02-16004	FAN BLADE
2	1	0	02-17035	12V Motor
3	0	1	02-17135	24V Motor
4	1	1	03-00165	Knob
5	1	1	03-13003	Rotary 2-Speed Switch
6	2	2	05-00301	90 Degree Heater Fitting
7	2	2	05-50818	Heater Fitting
8	1	1	07-00210	Heater Coil
9	1	1	12-50422	Face Plate
10	1	1	21-00000	Housing
11	1	1	21-00001	Back Plate
12	2	2	21-00003	Heater Mounting Bracket



211 PARTS LIST				
ITEM	QTY 12V	QTY 24V	DTAC NO.	DESCRIPTION
1	1	1	02-16004	FAN BLADE
2	1	1	02-16069	Louver
3	1	0	02-17035	12V Motor
4	0	1	02-17135	24V Motor
5	1	1	03-00165	Knob
6	1	1	03-13003	Rotary 2-Speed Switch
7	2	2	05-00301	90 Degree Heater Fitting
8	2	2	05-50818	Heater Fitting
9	1	1	07-00210	Heater Coil
10	3'	3'	10-20026	2.5" Duct Hose
11	1	1	12-50422	Face Plate
12	1	1	21-00001	Back Plate
13	2	2	21-00003	Heater Mounting Bracket
14	1	1	21-00006	Housing
15	1	1	40-00877	2.5" Adapter

BTU'S HEAT	AIR FLOW	HEIGHT	WIDTH	DEPTH	WEIGHT	MOTOR	CURRENT DRAW	DTAC NO.
16,000	150 CFM	6.5"	9.75"	7"	6.5 LBS	1-12V	6.6 AMPS @ 13.6 VDC	210-12
"	"	"	"	"	"	1-24V	3.3 AMPS @ 26.8 VDC	210-24
"	"	"	"	"	"	1-12V	6.6 AMPS @ 13.6 VDC	211-12
"	"	"	"	"	"	1-24V	3.3 AMPS @ 26.8 VDC	211-24

HEATERS