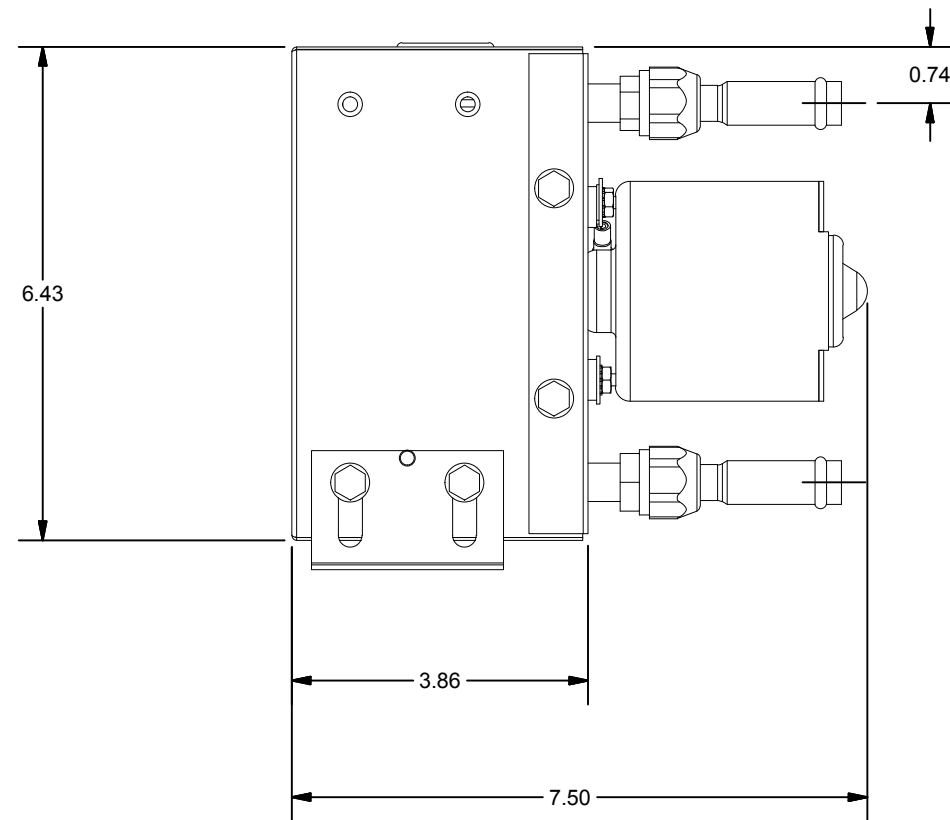
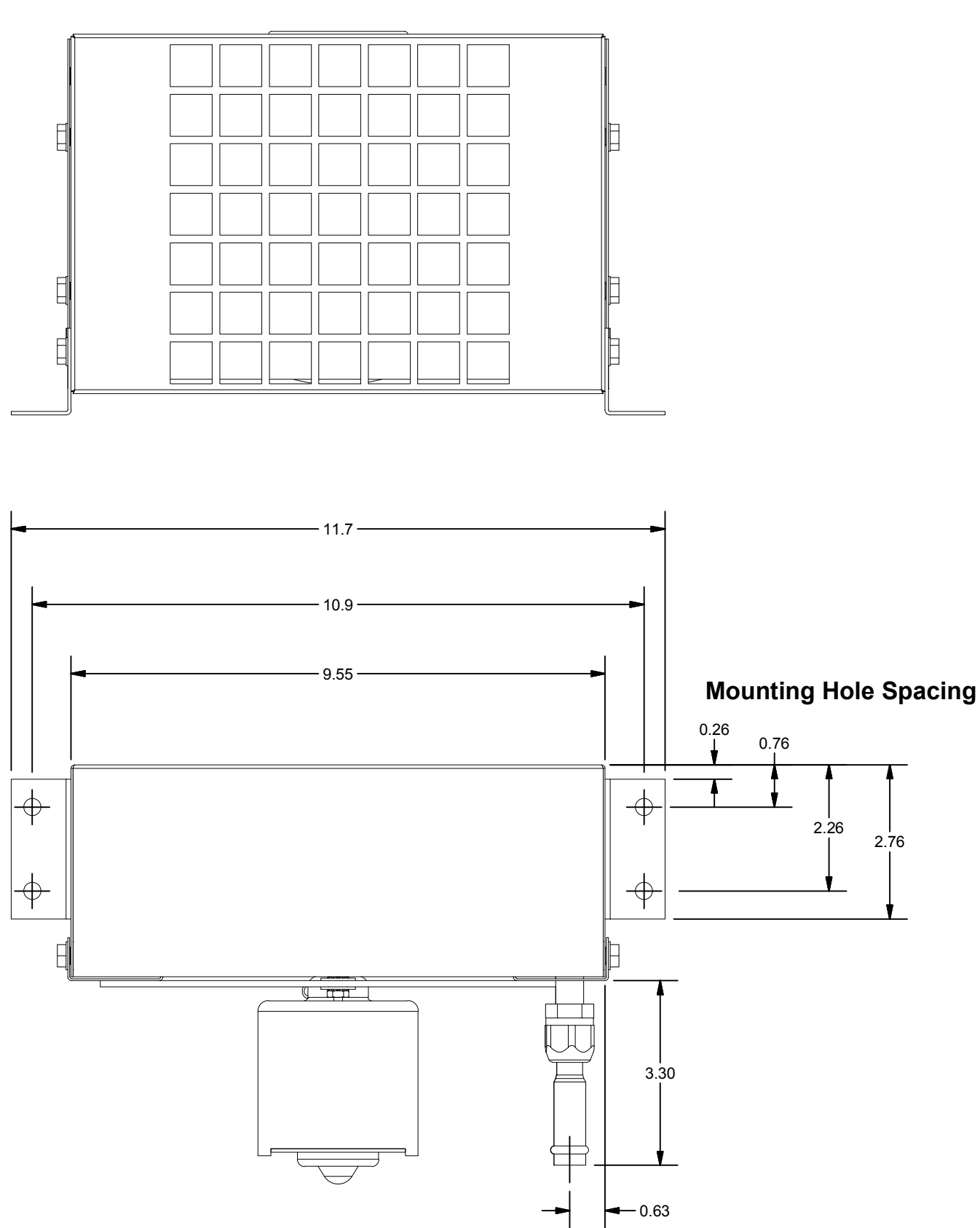


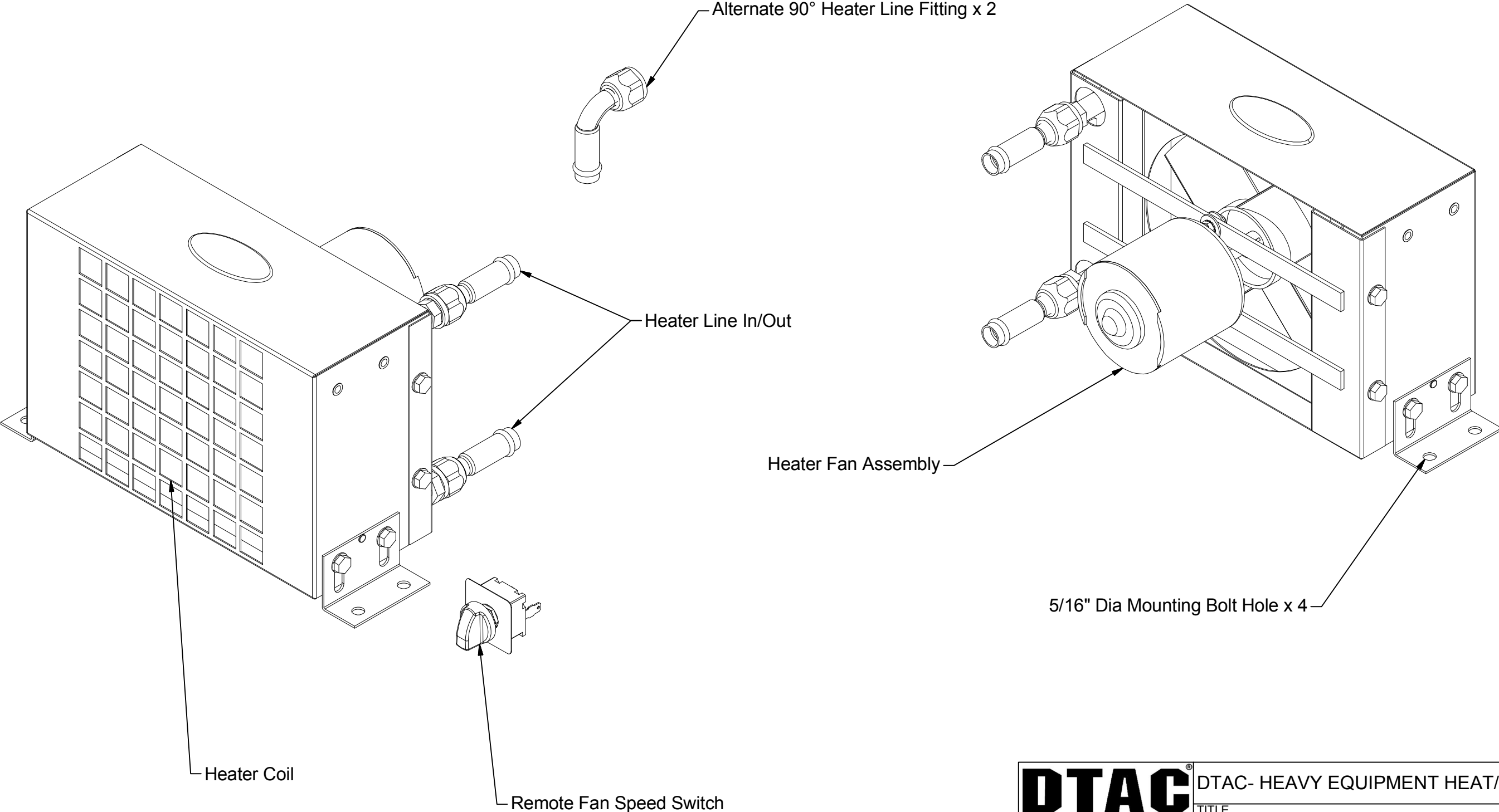
210 FOOTPRINT AND MOUNTING INFORMATION



Mounting Specifications	
Quantity	Description
4	5/16" DIA HOLE- NO THREADS

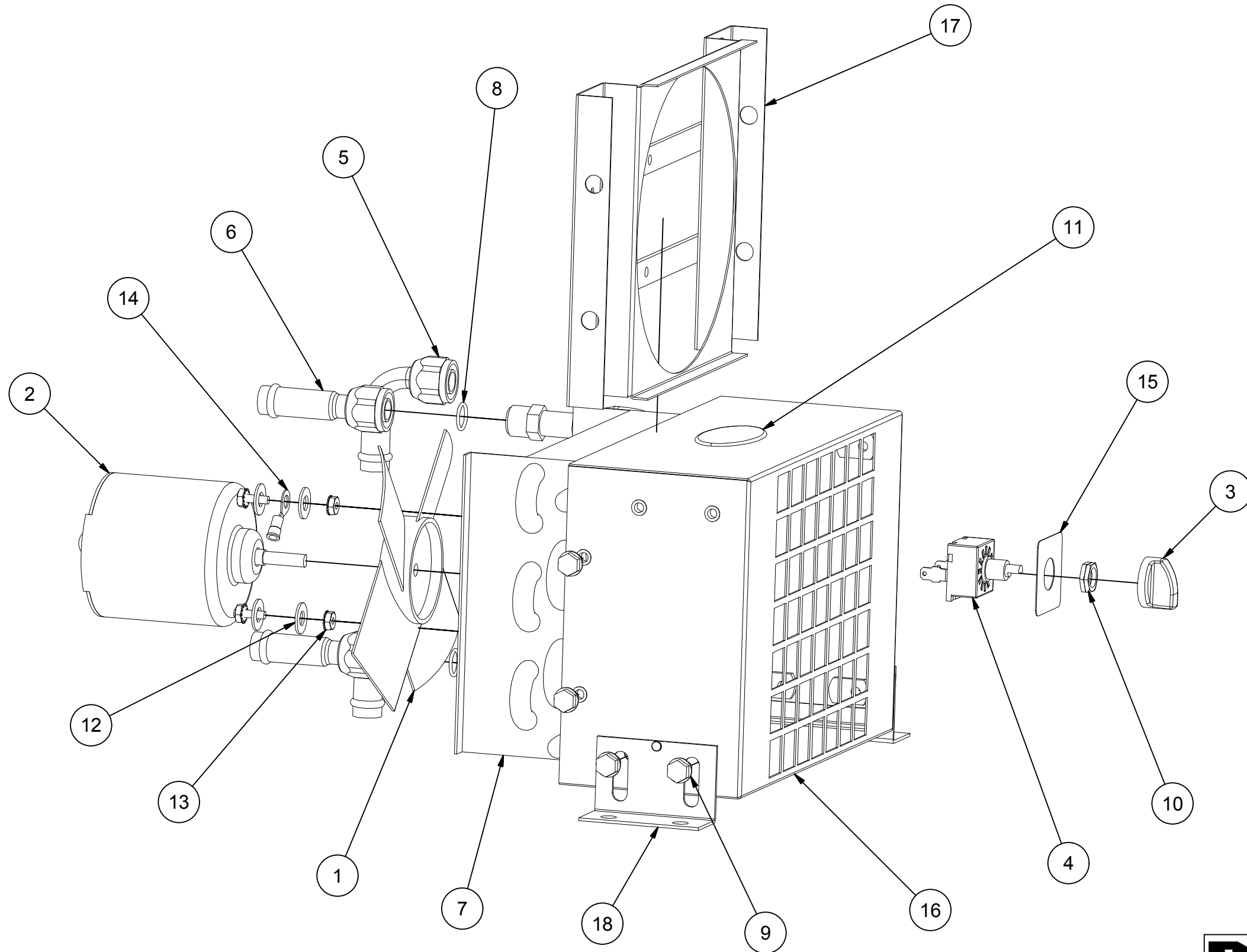
DTAC [®]		DTAC- HEAVY EQUIPMENT HEAT/COOL SYSTEMS	
		TITLE 210 FOOTPRINT AND MOUNTING INFORMATION	
MODELED JSHAW		DWG NAME 210 Drawings.idw	
DRAWN jhamaker	8/22/2011	SIZE B	NOTE: ALL UNITS IN INCHES

210 FEATURE SPECIFICATIONS



DTAC [®]		DTAC- HEAVY EQUIPMENT HEAT/COOL SYSTEMS	
		TITLE 210 FEATURE SPECIFICATIONS	
MODELED JSHAW		DWG NAME 210 Drawings.idw	
DRAWN jhamaker	8/22/2011	SIZE B	NOTE: ALL UNITS IN INCHES

210 PARTS BREAKDOWN AND UNIT SPECIFICATIONS

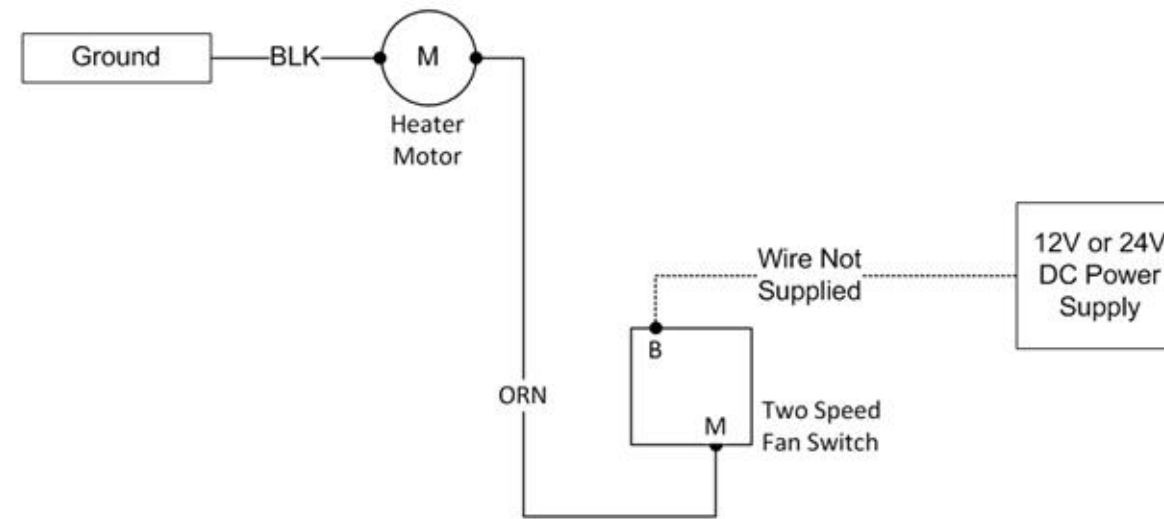


Parts Breakdown			
ITEM	QTY	PART NU	DESCRIPTION
1	1	02-16004	Fan Blade
2	1	02-17035 or 02-17135	12V Motor or 24V Motor
3	1	03-00165	Knob
4	1	03-13003	Rotary 2-Speed Switch
5	2	05-00301	90 Degree Heater Fitting
6	2	05-50818	Heater Fitting
7	1	07-00210	Heater Coil
8	2	09-04012	#8 O-Ring
9	8	12-00003	1/4-20 X 3/8 Bolt
10	2	12-00059	Standard Switch Nut
11	1	12-00096	DTAC Label, Raised Oval
12	4	12-00109	1/4-20 Flatwasher
13	4	12-00119	Nut, 8-32 UNC Keps
14	1	12-313105	Blue Ring Terminal, 14-16 .25"
15	1	12-50422	Face Plate
16	1	21-00000	Housing
17	1	21-00001	Back Plate
18	2	21-00003	Heater Mounting Bracket

UNIT SPECIFICATIONS					
BTU'S HEAT	AIR FLOW	WEIGHT	MOTOR	CURRENT DRAW	DTAC NO.
16,000	150 CFM	6.5 LBS	1-12V	6.6 AMPS @ 13.6 VDC	210-12
"	"	"	1-24V	3.3 AMPS @ 26.8 VDC	210-24

DTAC [®]		DTAC- HEAVY EQUIPMENT HEAT/COOL SYSTEMS	
		TITLE 210 PARTS BREAKDOWN AND UNIT SPECIFICATIONS	
MODELED JSHAW		DWG NAME 210 Drawings.idw	
DRAWN jhamaker	8/22/2011	SIZE B	NOTE: ALL UNITS IN INCHES
			SHEET 3 OF 4

210 & 211 Series Wiring Diagram



Manufacturer of Heavy Equipment Heat/Cool Systems
5130 Edgefield Ln, TX 76065 USA
Phone 1-800-527-9477 Fax 1-800-299-5972
www.dtac.com

08.26.10

SIZE
B

SHEET 4 OF 4