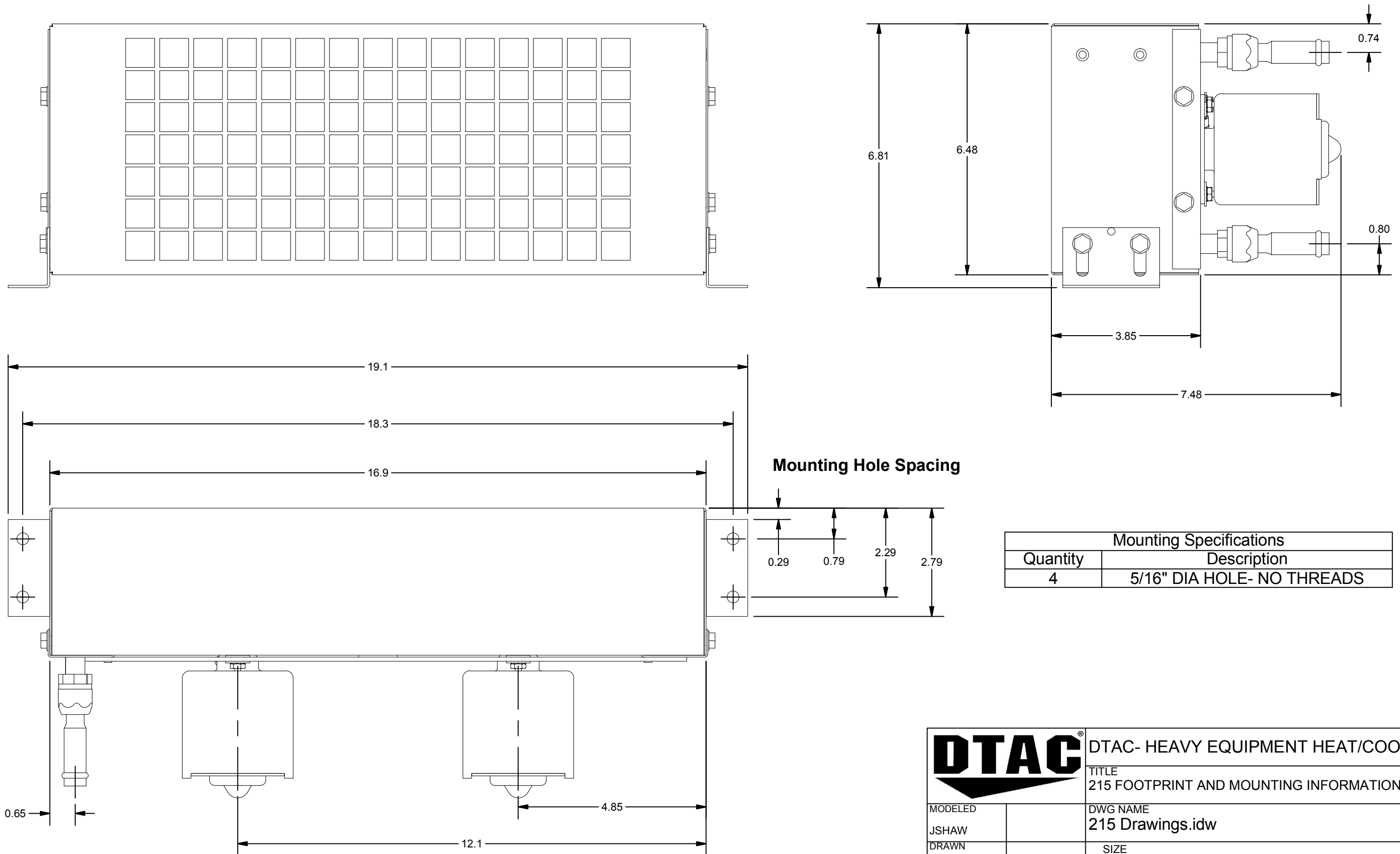


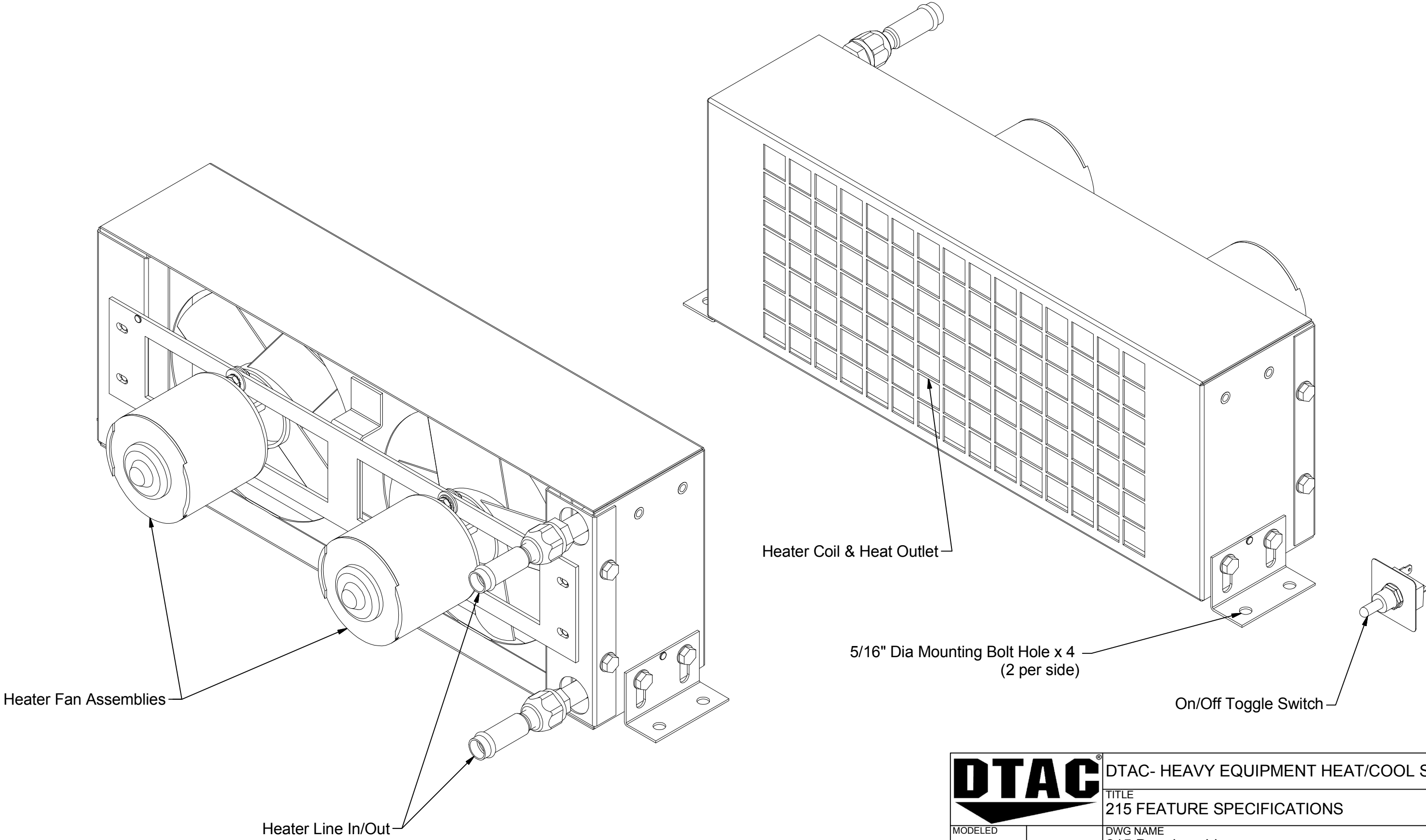
# 215 FOOTPRINT AND MOUNTING INFORMATION



Mounting Specifications	
Quantity	Description
4	5/16" DIA HOLE- NO THREADS

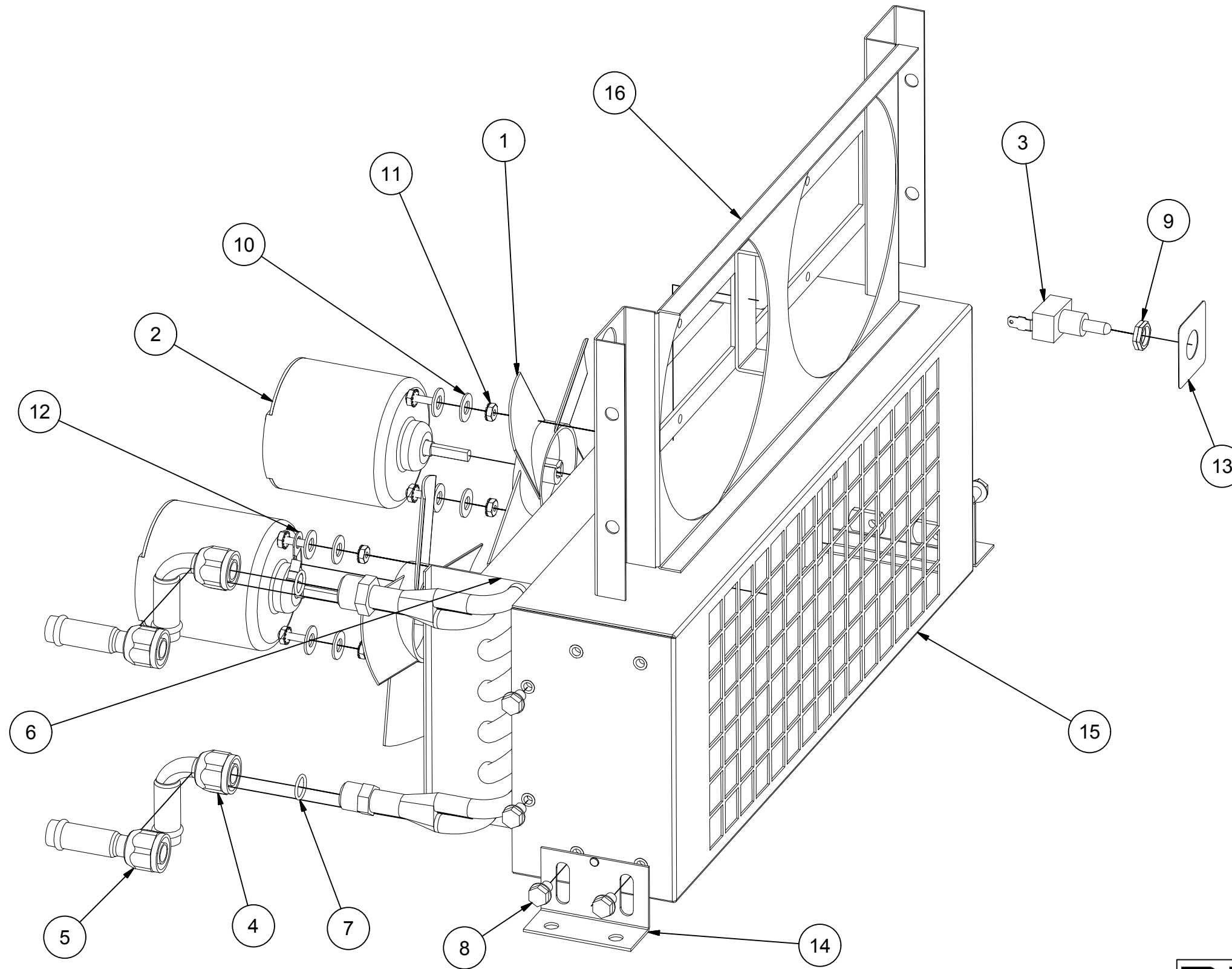
<b>DTAC</b> <sup>®</sup>		DTAC- HEAVY EQUIPMENT HEAT/COOL SYSTEMS	
		TITLE 215 FOOTPRINT AND MOUNTING INFORMATION	
MODELED JSHAW		DWG NAME 215 Drawings.idw	
DRAWN jhamaker	8/22/2011	SIZE B	NOTE: ALL UNITS IN INCHES

# 215 FEATURE SPECIFICATIONS



<b>DTAC</b>		DTAC- HEAVY EQUIPMENT HEAT/COOL SYSTEMS	
		TITLE 215 FEATURE SPECIFICATIONS	
MODELED JSHAW		DWG NAME 215 Drawings.idw	
DRAWN jhamaker	8/22/2011	SIZE B	NOTE: ALL UNITS IN INCHES

# 215 PARTS BREAKDOWN AND UNIT SPECIFICATIONS

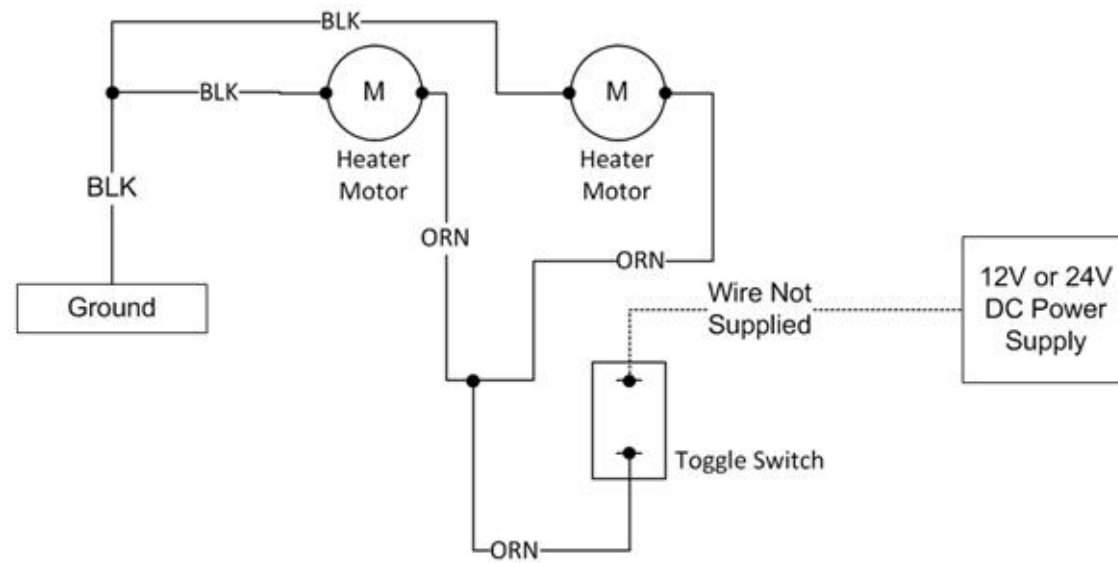


Parts Breakdown			
ITEM	QTY	DTAC NO.	DESCRIPTION
1	2	02-16004	Fan Blade
2	2	02-17035 or 02-17135	12V Motor or 24V Motor
3	1	03-13020	Toggle Switch
4	2	05-00301	90 Degree Heater Fitting
5	2	05-50818	Heater Fitting
6	1	07-00215	Heater Coil
7	2	09-04012	#8 O-Ring
8	8	12-00003	1/4-20 X 3/8 Bolt
9	2	12-00060	Heat/Cool Switch Nut
10	8	12-00109	1/4-20 Flatwasher
11	8	12-00119	Nut, 8-32 UNC Keps
12	1	12-313105	Blue Ring Terminal, 14-16 .25"
13	1	12-50422	Face Plate
14	2	21-00003	Heater Mounting Bracket
15	1	21-50000	215 Housing
16	1	21-50001	215 Back Motor Plate

UNIT SPECIFICATIONS					
BTU'S HEAT	AIR FLOW	WEIGHT	MOTOR	CURRENT DRAW	DTAC NO.
30,000	280 CFM	11.5 LBS	2-12V	13 AMPS @ 13.6 VDC	215-12
"	"	"	2-24V	6.6 AMPS @ 26.8 VDC	215-24

<b>DTAC</b>		DTAC- HEAVY EQUIPMENT HEAT/COOL SYSTEMS	
		TITLE 215 PARTS BREAKDOWN AND UNIT SPECIFICATIONS	
MODELED JSHAW		DWG NAME 215 Drawings.idw	
DRAWN jhamaker	8/22/2011	SIZE B	NOTE: ALL UNITS IN INCHES
			SHEET 3 OF 4

# 215 Series Wiring Diagram



Manufacturer of Heavy Equipment Heat/Cool Systems  
5130 Edgefield Ln, TX 76065 USA  
Phone 1-800-527-9477 Fax 1-800-299-5972  
www.dtac.com

08.26.10

SIZE  
B

SHEET 4 OF 4