



HEATERS

215 Series

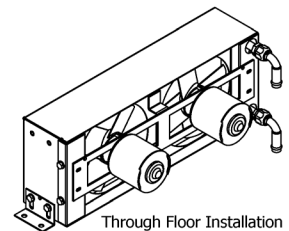
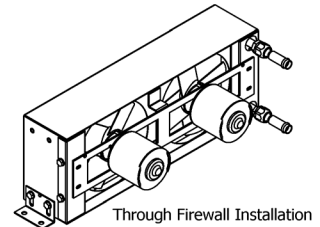
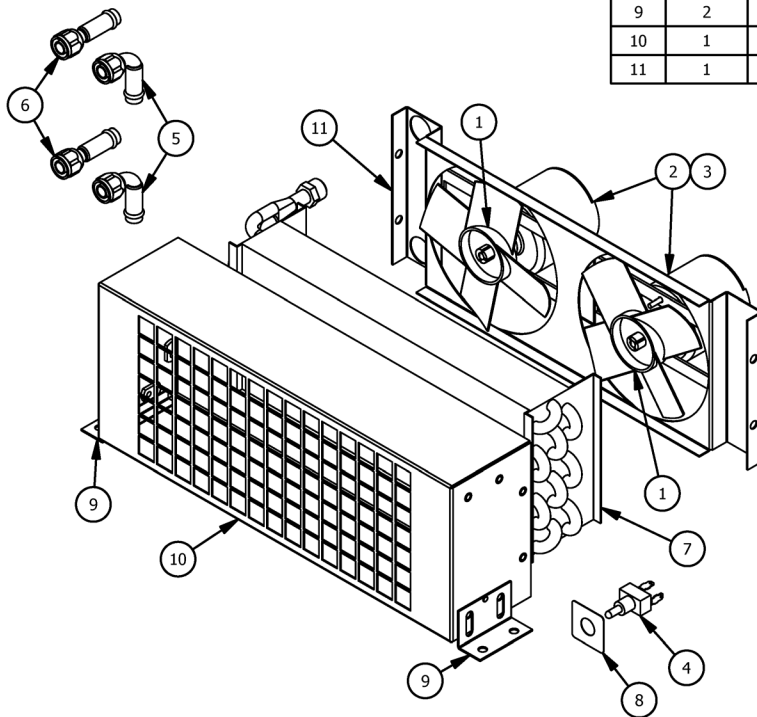
Auxiliary Heater



FEATURES

- Available 12 or 24 Volt Water
- Single Speed Blower
- Switch, Face Plate & Knob Included
- Steel Case with Black Powder Coat Finish
- Fittings Supplied for Through Firewall or Through Floor Installation

215 Parts List				
ITEM	QTY 12V	QTY 24V	DTAC NO.	DESCRIPTION
1	2	2	02-16004	Fan Blade
2	2	0	02-17035	12V Motor
3	0	2	02-17135	24V Motor
4	1	1	03-13020	Toggle Switch
5	2	2	05-00301	90 Degree Heater Fitting
6	2	2	05-50818	Heater Fitting
7	1	1	07-00215	Heater Coil
8	1	1	12-50422	Face Plate
9	2	2	21-00003	Heater Mounting Bracket
10	1	1	21-50000	215 Housing
11	1	1	21-50001	215 Back Motor Plate



BTU'S HEAT	AIR FLOW	HEIGHT	WIDTH	DEPTH	WEIGHT	MOTOR	CURRENT DRAW	DTAC NO.
30,000	280 CFM	6.5	16.75"	7"	11.5 LBS	2-12V	???	215-12
"	"	"	"	"	"	2-24V	???	215-24

HEATERS



PREVENTATIVE MAINTENANCE

DTAC strives to manufacture A/C systems of superior quality. However, as with all mechanical equipment, normal maintenance must be performed for your A/C to function at peak capacity. A well-maintained A/C system will save on down time and premature component failures.

Weekly inspections or every 2 days in severe environments should include:

1. Inspect compressor clutch drive belts (tightness, wear).
2. Inspect compressor mounting brackets (bolts, alignment).
3. Inspect mounting hardware on evaporator unit and condensers.
4. Inspect air intake filter. (Clean or replace filter).
5. Inspect evaporator and condenser coils. (Clean using air pressure. **DO NOT USE WATER OR PRESSURE WASHERS**).
6. Inspect hose and wire harness for proper routing, leaks and wear.

Helpful Hints

Make sure the evaporator air intake area is not obstructed (i.e. toolboxes, clothing, lunch box, etc.).

Manual thermostats on our systems, when rotated clockwise to the stop position will not allow the A/C compressor clutch to cycle. The compressor will run continuously and the evaporator coil will not defrost. **REMEDY:** Turn the manual thermostat knob clockwise to the stop position, then turn the thermostat knob back counter clockwise $\frac{1}{4}$ turn.

DTAC thanks you for purchasing our units. It is our endeavor to provide you with a quality A/C unit with trouble free service.