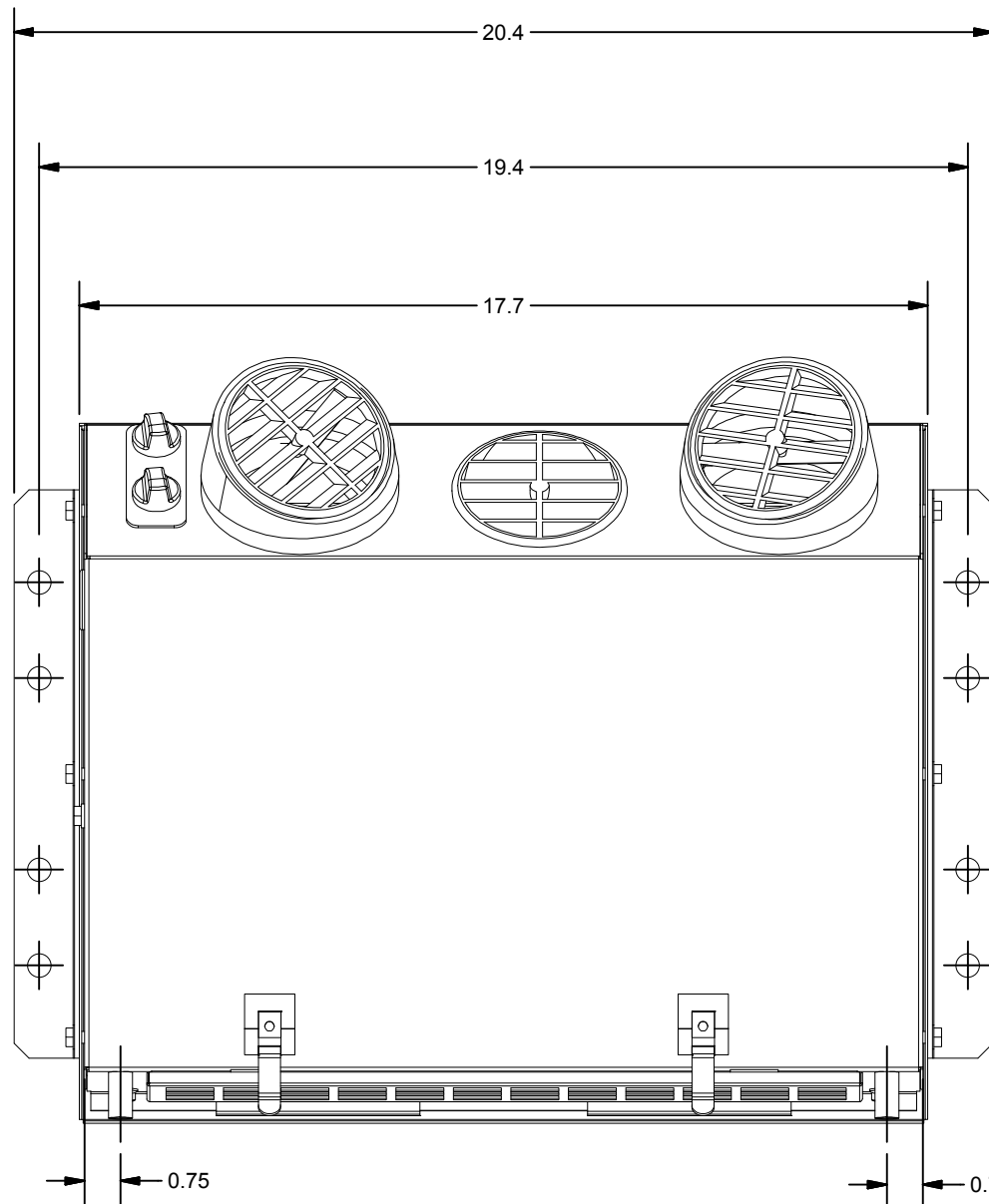
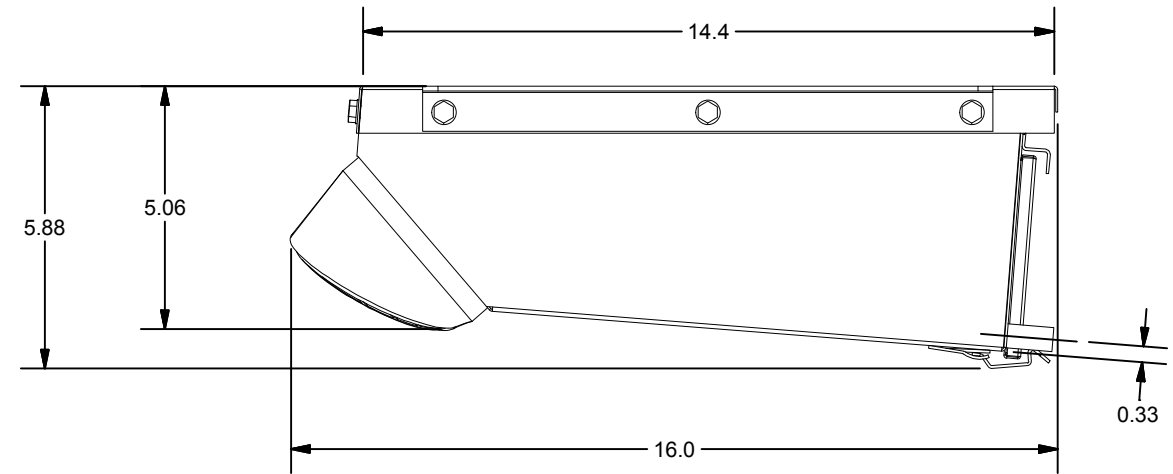
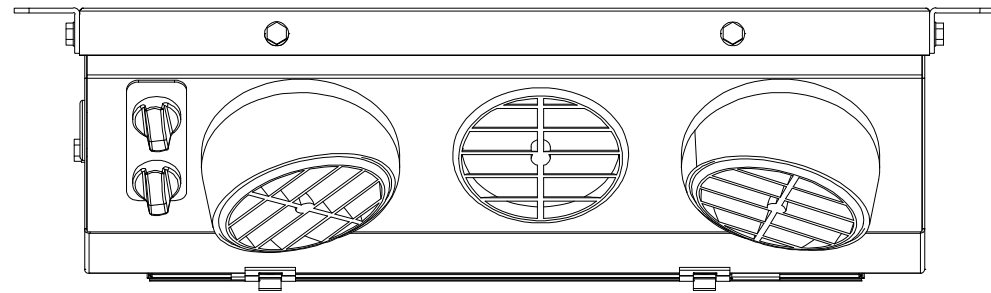
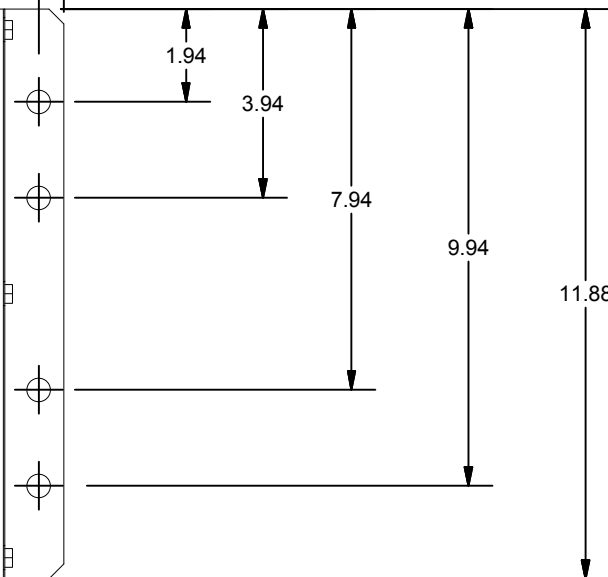



305 FOOTPRINT AND MOUNTING INFORMATION



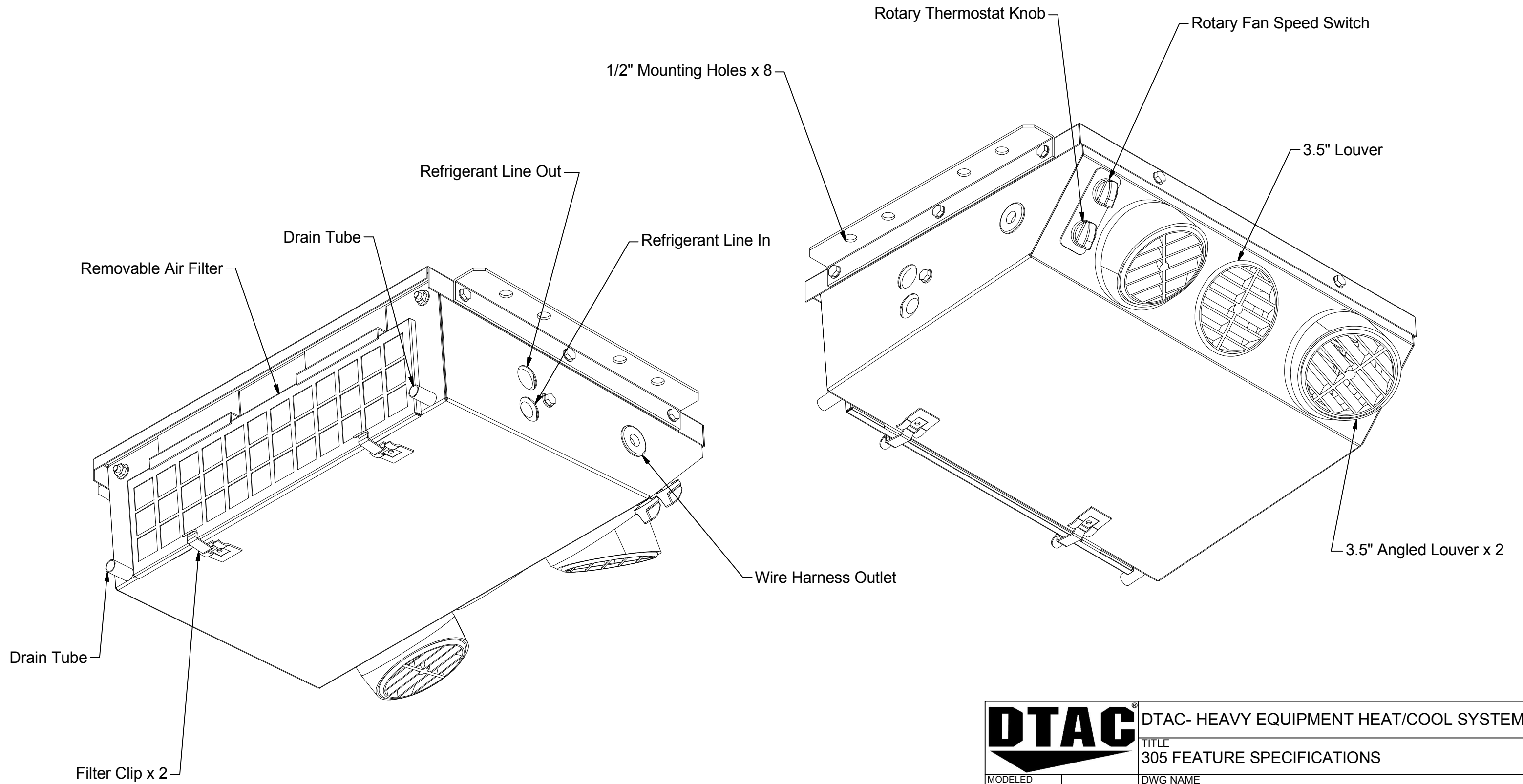
Mounting Hole Spacing




Mounting Specifications	
Quantity	Description
8	1/2" DIA HOLE- NO THREADS
6	5/16-18 X 1-1/2NCLC*HEX CAP TAP
6	WASHER, 1/4 FLAT
6	5/16 WHIZ NUT

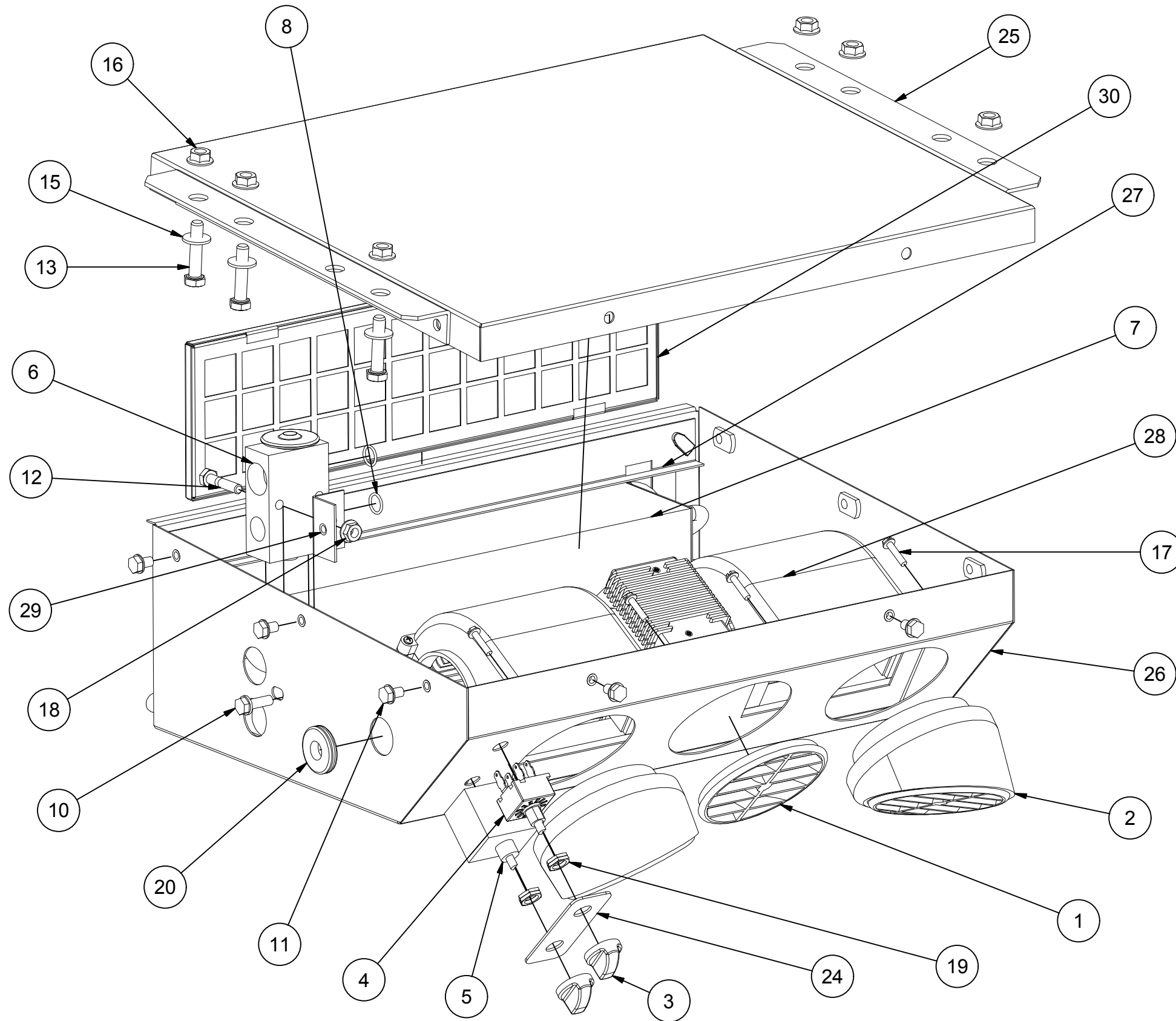
		DTAC- HEAVY EQUIPMENT HEAT/COOL SYSTEMS	
		TITLE 305 FOOTPRINT AND MOUNTING INFORMATION	
MODELED JSHAW		DWG NAME 305 Drawings.idw	
DRAWN jhamaker	8/4/2011	SIZE B	NOTE: ALL UNITS IN INCHES

305 FEATURE SPECIFICATIONS



		DTAC- HEAVY EQUIPMENT HEAT/COOL SYSTEMS	
		TITLE 305 FEATURE SPECIFICATIONS	
MODELED		DWG NAME 305 Drawings.idw	
JSHAW			
DRAWN	8/4/2011	SIZE B	NOTE: ALL UNITS IN INCHES
jhamaker			SHEET 2 OF 4

305 PARTS BREAKDOWN AND UNIT SPECIFICATIONS

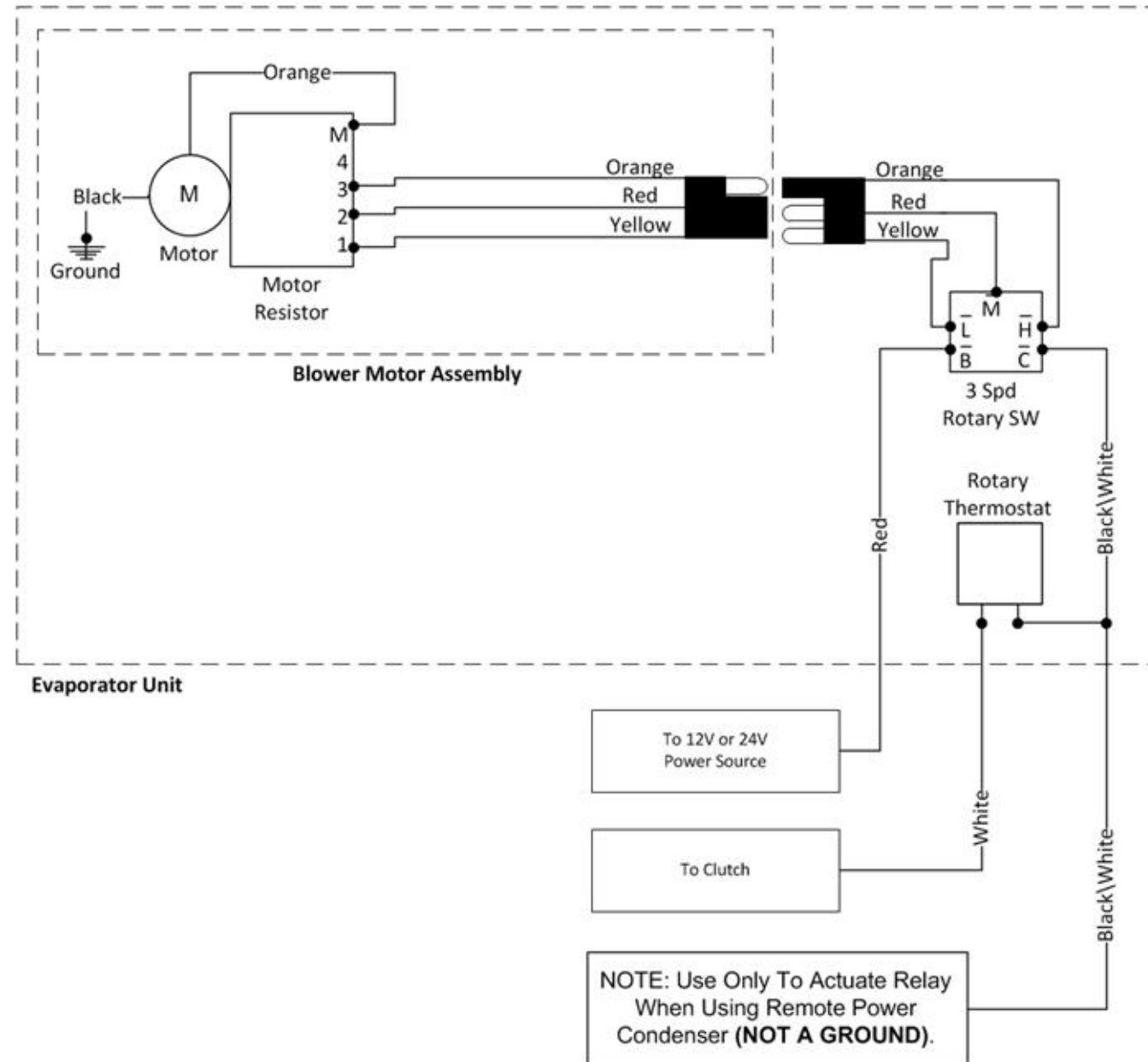


Parts Breakdown				
ITEM	QTY	DTAC NO.	DESCRIPTION	NOTE
1	1	02-16061	3-1/2" Louver	
2	2	02-16073	3.5" Angled Louver	
3	2	03-00165	Knob	
4	1	03-13006	Rotary 3-Speed Switch	
5	1	03-14002	Rotary Thermostat	
6	1	04-15004	Block Expansion Valve	
7	1	07-00305	Evaporator Coil	
8	2	09-04012	#8 O-Ring	
9	1	10-20012	Drain Hose (12 ft)	1
10	1	12-00002	1/4-20 X 3/4 Whiz Flange Bolt	
11	8	12-00003	1/4-20 X 3/8 Bolt	
12	1	12-00021	1/4-20 x 1.25 Hex Bolt	
13	6	12-00023	5/16-18 x 1.5 Hex Cap Bolt	
14	1	12-00026	Wire Harness	1
15	6	12-00044	1/4 Flat Washer	
16	6	12-00054	Whz Nut 5/16-18	
17	5	12-00056	#8X3/4 Tap Screw	
18	3	12-00057	1/4-20 Whiz Nut	
19	4	12-00059	Standard Switch Nut	
20	1	12-00116	One Inch Grommet	
21	2	12-00123	Kazoo Drain Restrictor	1
22	1	12-01874	1/2 Plastic Tee	1
23	2	12-01875	1/2 Plastic Elbow	1
24	1	12-50419	Faceplate	
25	1	30-20001	Lid 305	
26	1	30-50000	Btm Housing 305	
27	1	30-50001	Coil Hold Brkt	
28	1	30-51580 or 30-51581	12V Blower Assembly or 24V Blower Assembly	
29	1	50-50500	Expansion Valve Mnt Brkt	
30	1	90-10009	Filter	
-	-	Note 1	Part not shown	

UNIT SPECIFICATIONS						
BTU'S COOL	BTU'S HEAT	AIR FLOW	WEIGHT	MOTOR	CURRENT DRAW	DTAC NO.
18,500	-	295 CFM	21 LBS	1-12V	13 AMPS @ 13.5 VDC	305-12
"	-	"	"	1-24V	8 AMPS @ 27 VDC	305-24

DTAC		DTAC- HEAVY EQUIPMENT HEAT/COOL SYSTEMS	
MODELED		TITLE 305 PARTS BREAKDOWN AND UNIT SPECIFICATIONS	
JSHAW		DWG NAME 305 Drawings.idw	
DRAWN		SIZE B	NOTE: ALL UNITS IN INCHES
jhamaker	8/4/2011		SHEET 3 OF 4

305 Series Wire Diagram



Manufacturer of Heavy Equipment Heat/Cool Systems
 5130 Edgefield Ln, TX 76065 USA
 Phone 1-800-527-9477 Fax 1-800-299-5972
 www.dtac.com

12-00026
 07.27.09

SIZE
 B