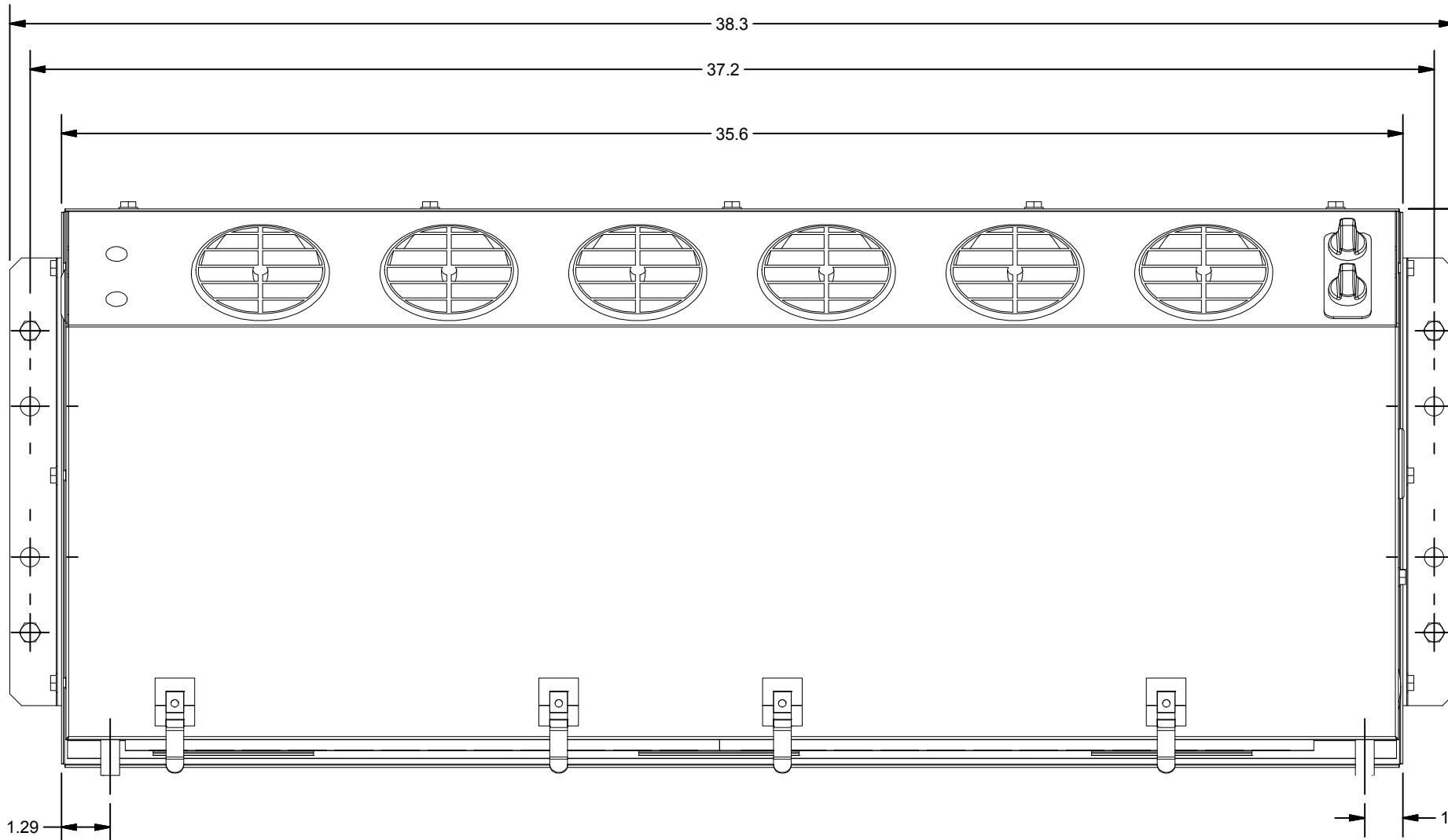
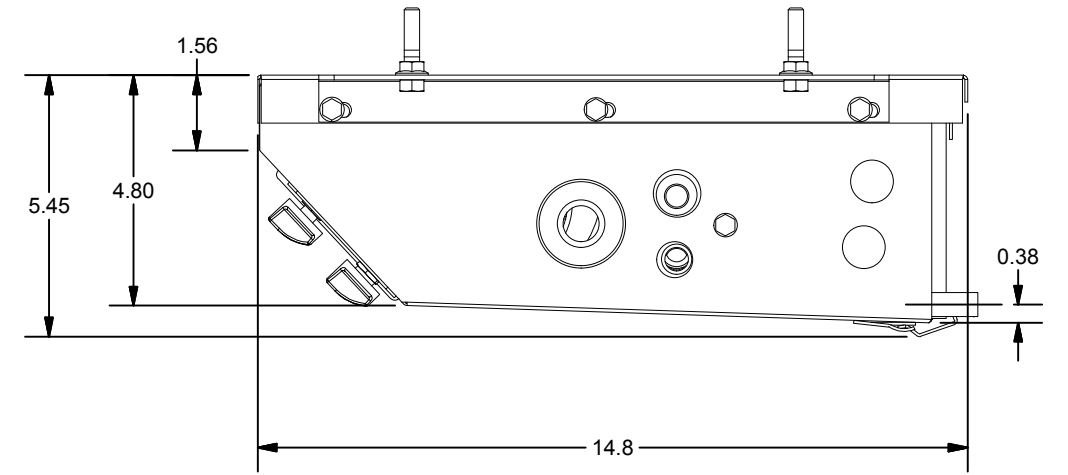
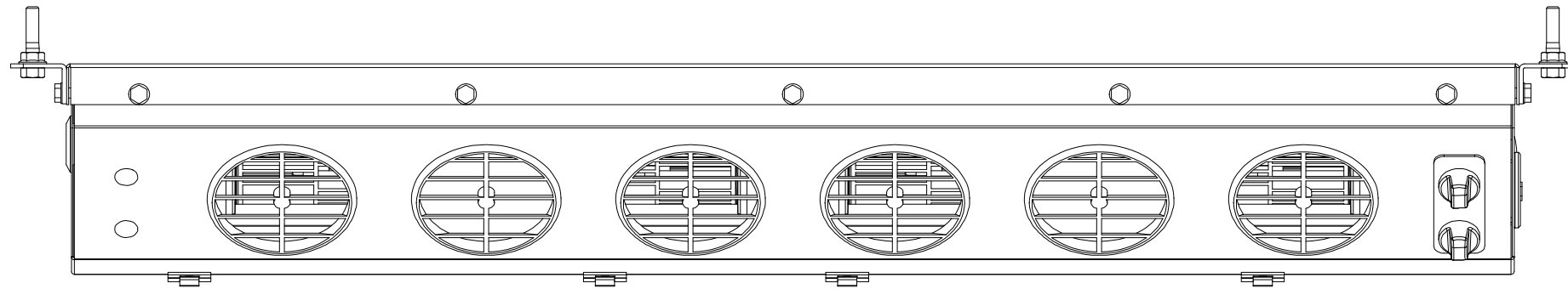
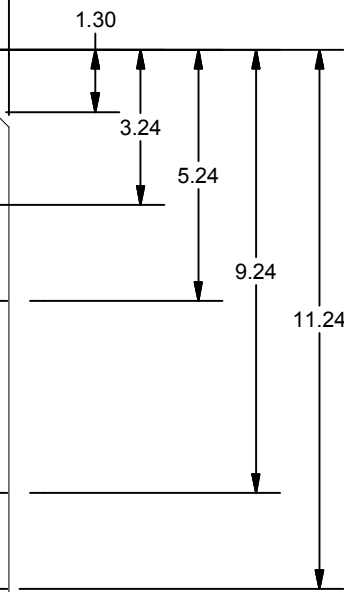


315-C FOOTPRINT AND MOUNTING INFORMATION



Mounting Hole Spacing



Mounting Specifications	
Quantity	Description
4	5/16-18x1-1/2 HEX CAP
4	5/16 WHIZ NUT
8	1/2" DIA HOLE- NO THREADS



DTAC- HEAVY EQUIPMENT HEAT/COOL SYSTEMS

TITLE
315-C FOOTPRINT AND MOUNTING INFORMATION

MODELED

JSHAW

DRAWN

jhamaker

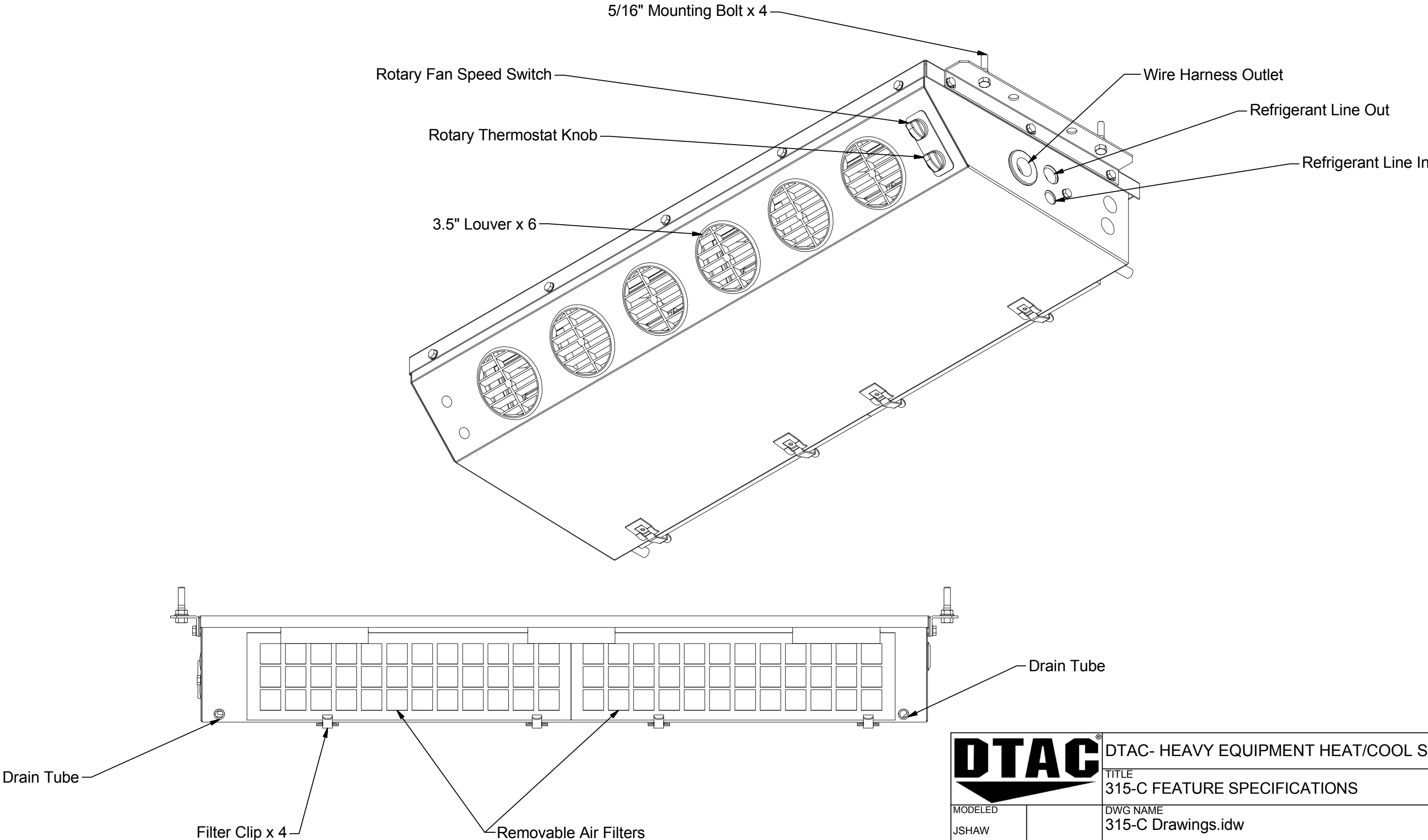
DWG NAME
315-C Drawings.idw

SIZE
B

NOTE: ALL UNITS IN INCHES

SHEET 1 OF 4

315-C FEATURE SPECIFICATIONS



5/16" Mounting Bolt x 4

Rotary Fan Speed Switch

Wire Harness Outlet

Rotary Thermostat Knob

Refrigerant Line Out

3.5" Louver x 6

Refrigerant Line In

Drain Tube

Drain Tube

Filter Clip x 4

Removable Air Filters



DTAC- HEAVY EQUIPMENT HEAT/COOL SYSTEMS

TITLE
315-C FEATURE SPECIFICATIONS

MODELED

JSHAW

DRAWN

jhamaker

DWG NAME
315-C Drawings.idw

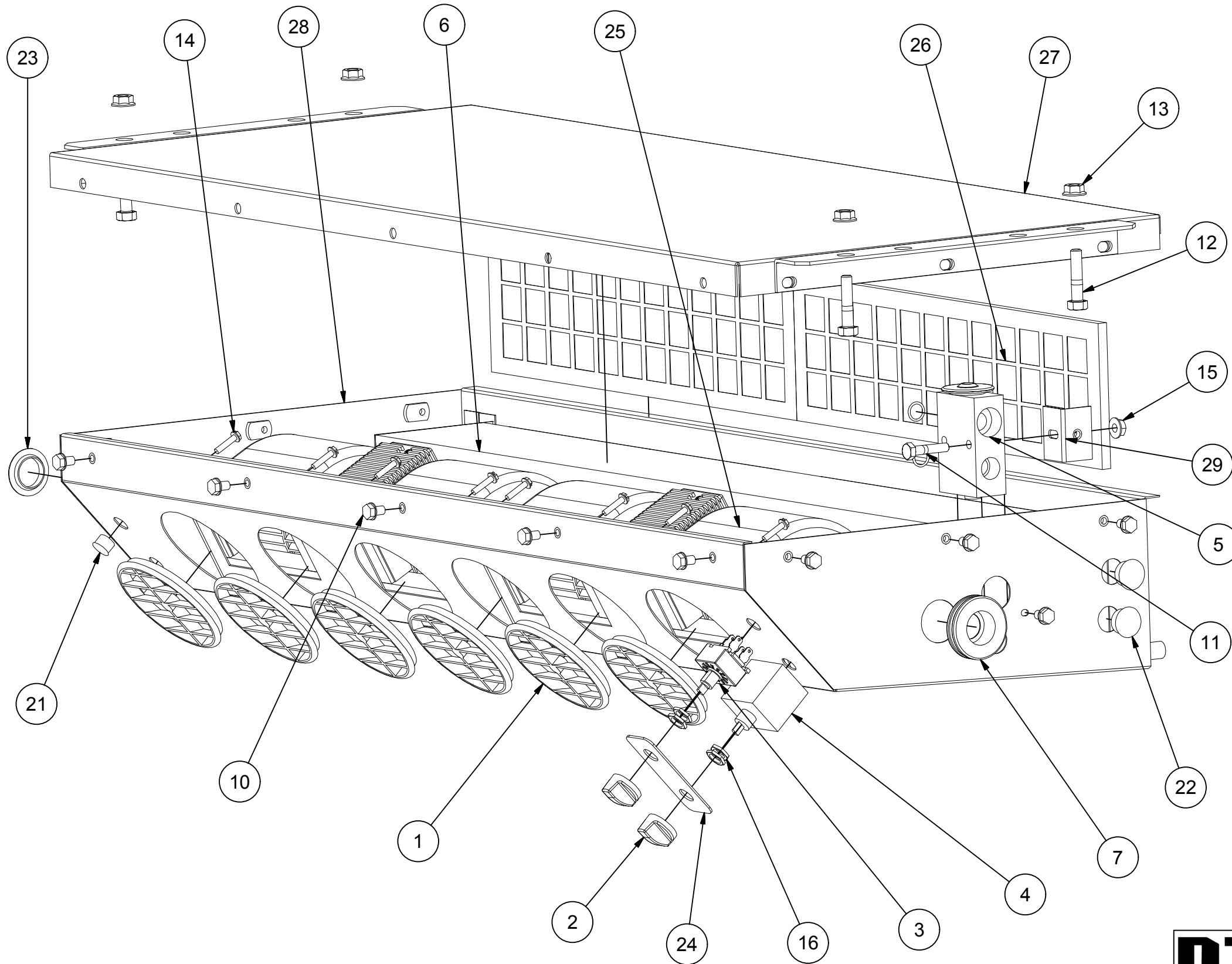
SIZE

B

NOTE: ALL UNITS IN INCHES

SHEET 2 OF 4

315-C PARTS BREAKDOWN AND UNIT SPECIFICATIONS

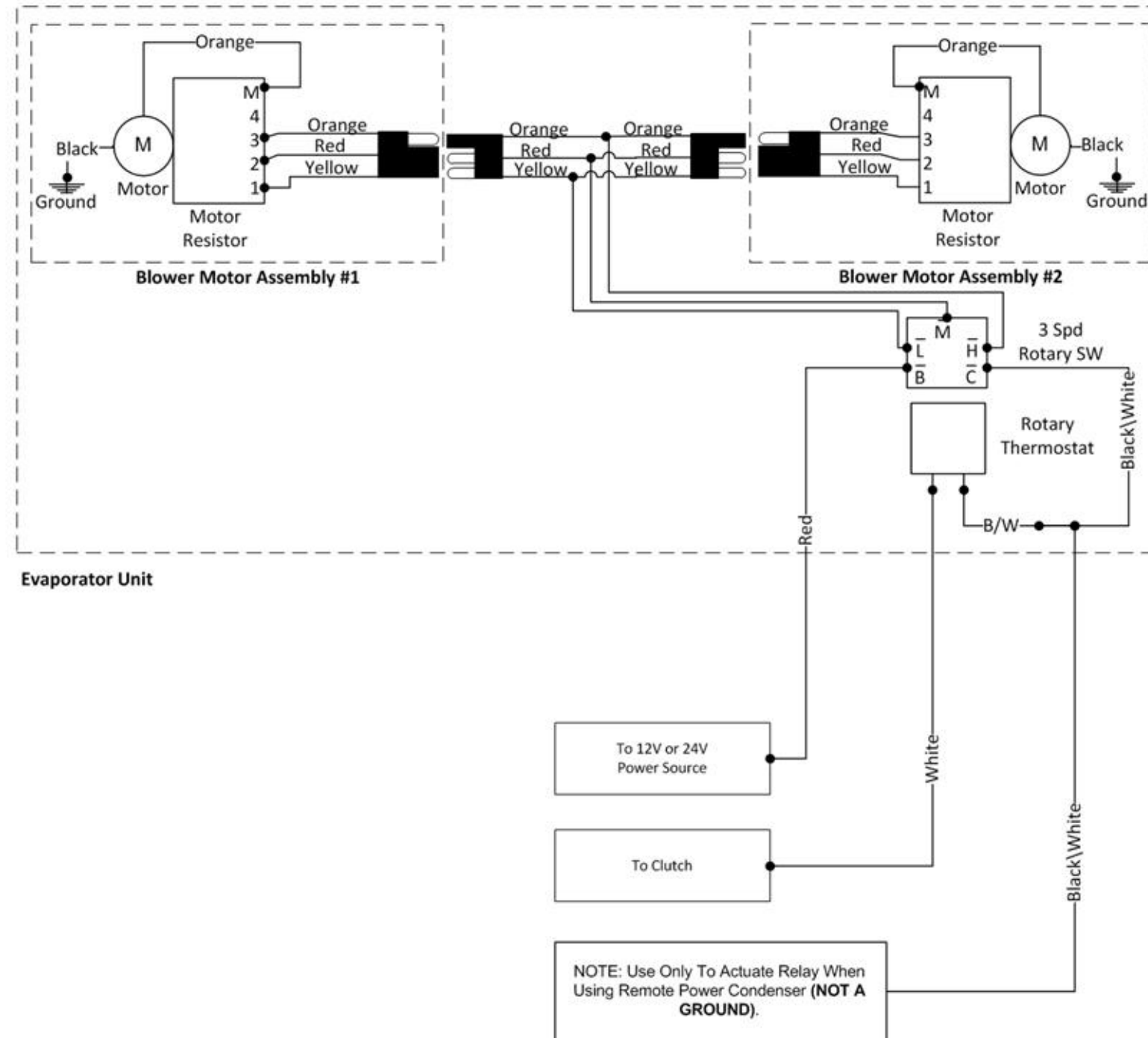


Parts Breakdown				
ITEM	QTY	DTAC NO.	DESCRIPTION	NOTE
1	6	02-16061	3-1/2" Louver	
2	2	03-00165	Knob	
3	1	03-13006	Rotary 3-Speed Switch	
4	1	03-14002	Rotary Thermostat	
5	1	04-15004	Block Expansion Valve	
6	1	07-00316	Cool Only Evap Coil	
7	1	09-00621	One Inch Grommet	
8	2	09-04012	#8 O-Ring	
9	15 ft	10-20012	Drain Hose, 1/2"	1
10	12	12-00003	1/4-20 X 3/8 Bolt	
11	1	12-00021	1/4-20 x 1.25 Hex Bolt	
12	4	12-00023	5/16-18 - 1.5	
13	4	12-00054	Whz Nut 5/16-18	
14	9	12-00056	#8X3/4 Tap Screw	
15	1	12-00057	1/4-20 Whiz Nut	
16	4	12-00059	Standard Switch Nut	
17	2	12-00123	Kazoo Drain Restrictor	1
18	1	12-00315	Wire Harness	1
19	1	12-01874	1/2" Plastic Drain Tee	1
20	2	12-01875	1/2" Plastic Drain Elbow	1
21	2	12-02643	1/2" Button Plug	
22	2	12-02683	3/4" Button Plug	
23	1	12-02783	1" Button Plug	
24	1	12-50419	Faceplate	
25	2	30-51580 or 30-51581	12V Blower Assembly or 24V Blower Assembly	
26	2	31-50000	Filter 315	
27	1	31-50001	Lid	
28	1	31-50002	Housing	
29	1	50-50500	Expansion Valve Mnt Brkt	
-	-	Note 1	Part not shown	

UNIT SPECIFICATIONS						
BTU'S COOL	BTU'S HEAT	AIR FLOW	WEIGHT	MOTOR	CURRENT DRAW	DTAC NO.
35,000	-	410 CFM	45 LBS	2-12V	24 AMPS @ 13.6 VDC	315-12C
"	-	"	"	2-24V	14 AMPS @ 27 VDC	315-24C

DTAC		DTAC- HEAVY EQUIPMENT HEAT/COOL SYSTEMS	
MODELED		TITLE 315-C PARTS BREAKDOWN AND UNIT SPECIFICATIONS	
JSHAW		DWG NAME 315-C Drawings.idw	
DRAWN		SIZE B	NOTE: ALL UNITS IN INCHES
jhamaker		8/4/2011	SHEET 3 OF 4

315-C Series - Cool Only Wire Diagram



Manufacturer of Heavy Equipment Heat/Cool Systems
 5130 Edgefield Ln, TX 76065 USA
 Phone 1-800-527-9477 Fax 1-800-299-5972
 www.dtac.com

12-00315
 07.27.09

SIZE
 B

SHEET 4 OF 4