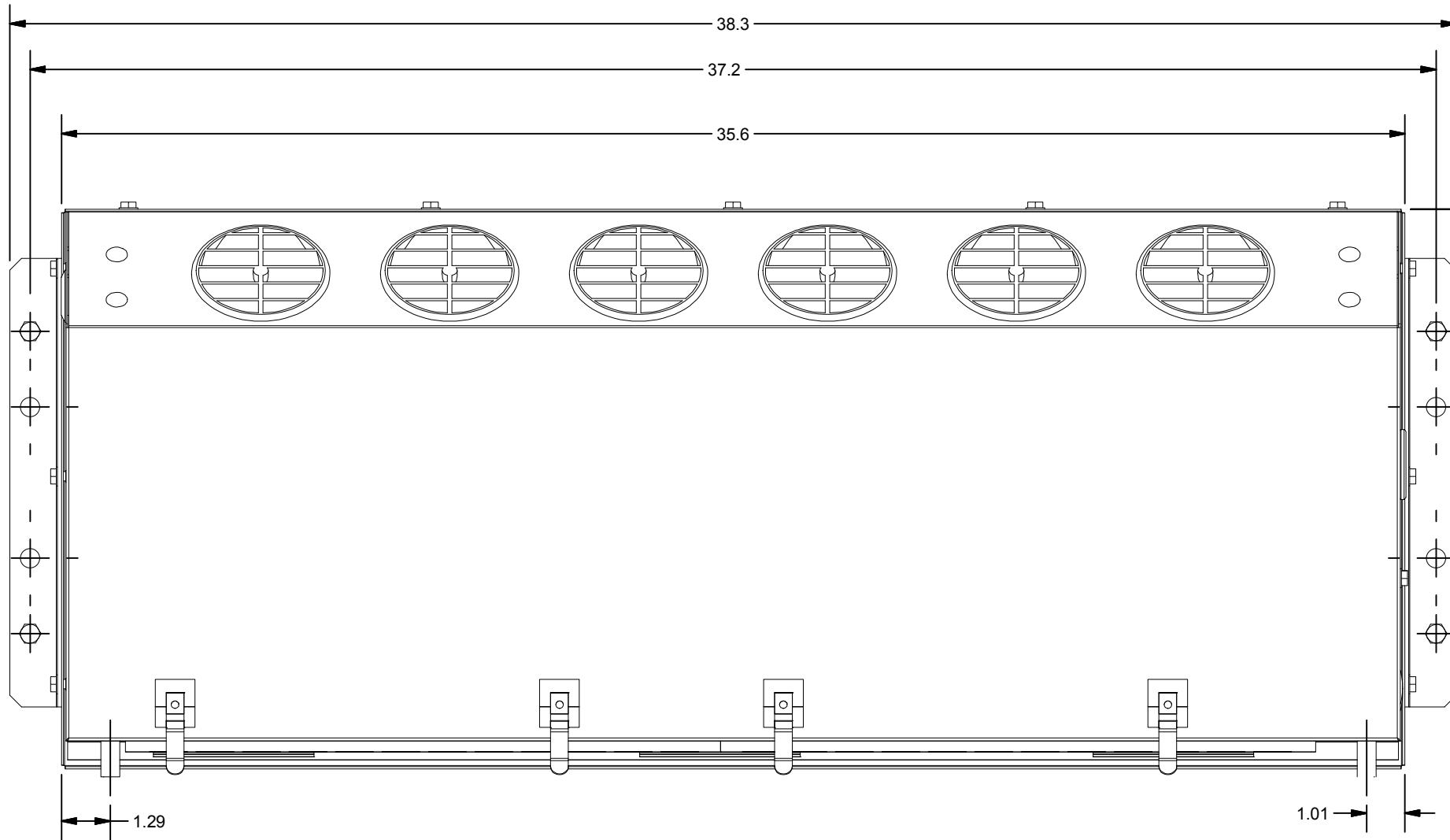
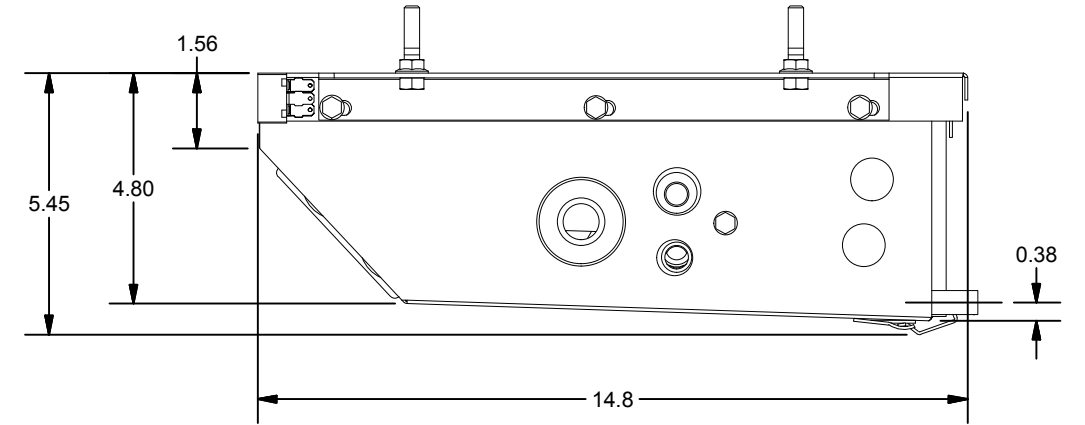
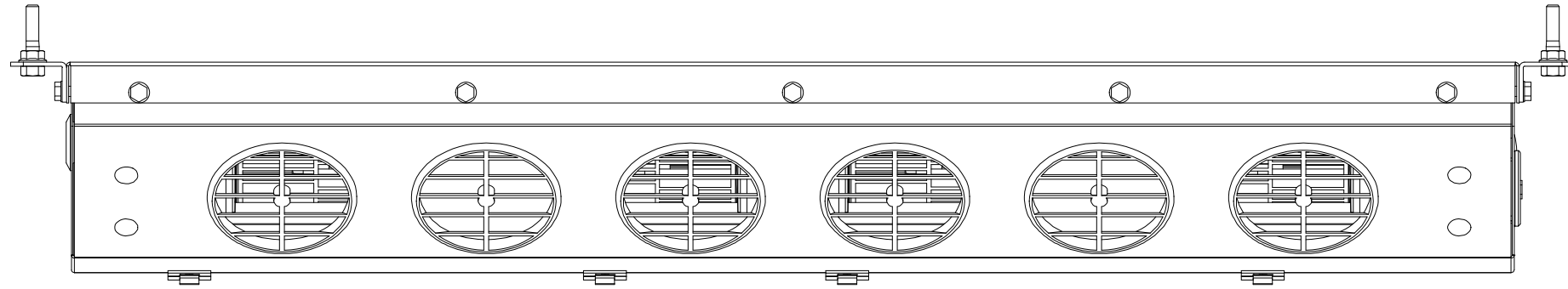
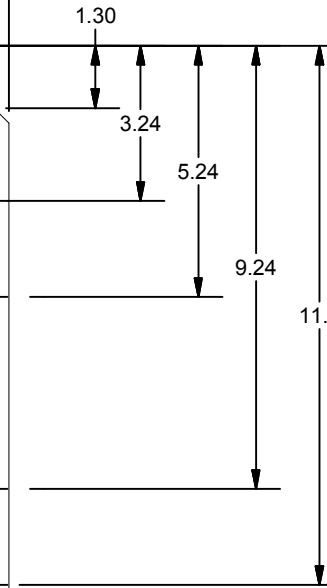



# 315-CR FOOTPRINT AND MOUNTING INFORMATION



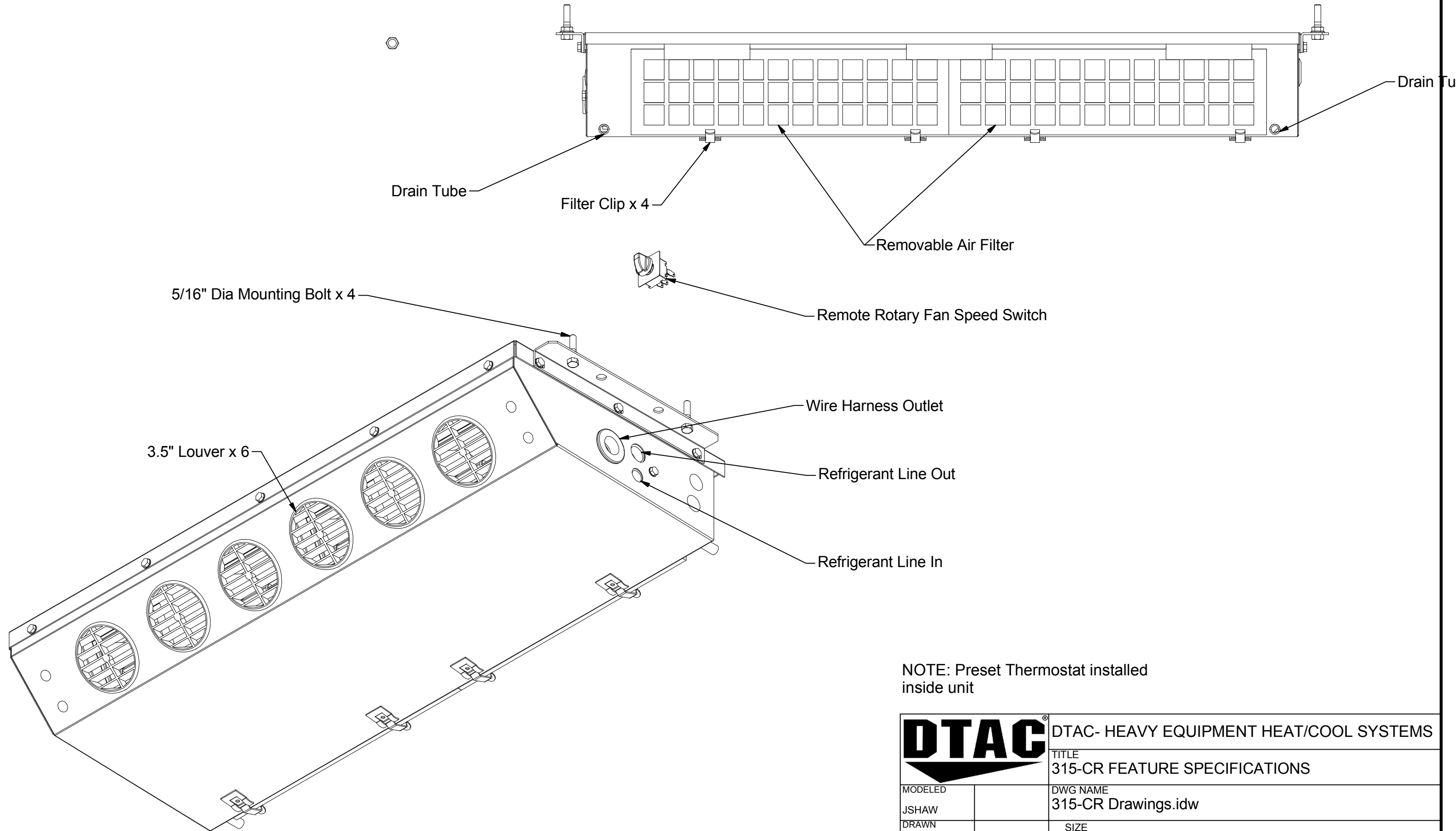
## Mounting Hole Spacing




Mounting Specifications	
Quantity	Description
4	5/16-18x1-1/2 HEX CAP
4	5/16 WHIZ NUT
8	1/2" DIA HOLE- NO THREADS

 <b>DTAC</b> <sup>®</sup>		DTAC- HEAVY EQUIPMENT HEAT/COOL SYSTEMS	
		TITLE 315-CR FOOTPRINT AND MOUNTING INFORMATION	
MODELED JSHAW		DWG NAME 315-CR Drawings.idw	
DRAWN jhamaker	8/4/2011	SIZE B	NOTE: ALL UNITS IN INCHES
			SHEET 1 OF 4

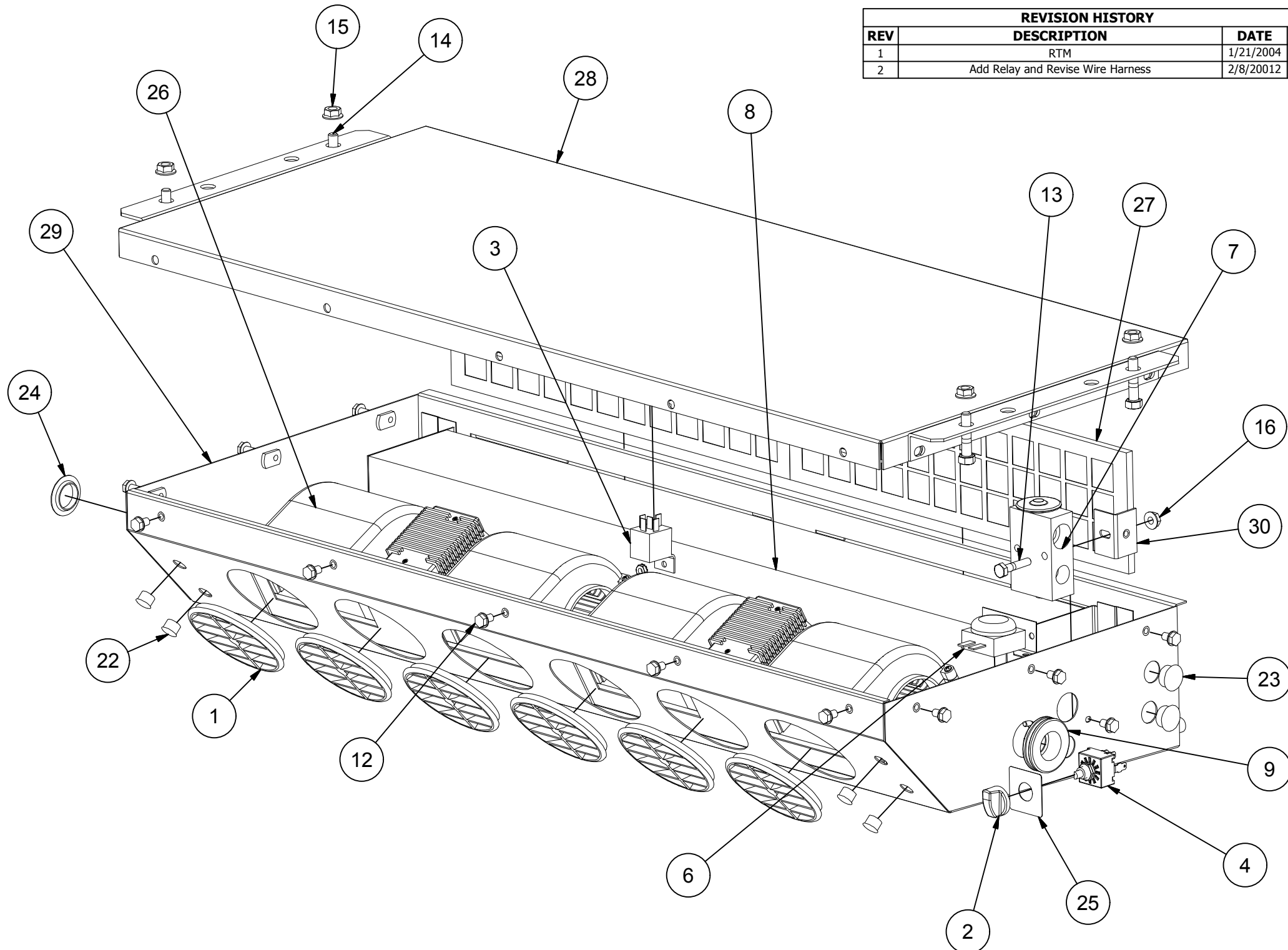
# 315-CR FEATURE SPECIFICATIONS



NOTE: Preset Thermostat installed inside unit

		DTAC- HEAVY EQUIPMENT HEAT/COOL SYSTEMS	
		TITLE 315-CR FEATURE SPECIFICATIONS	
MODELED JSHAW		DWG NAME 315-CR Drawings.idw	
DRAWN jhamaker	8/4/2011	SIZE B	NOTE: ALL UNITS IN INCHES

# 315-CR PARTS BREAKDOWN AND UNIT SPECIFICATIONS



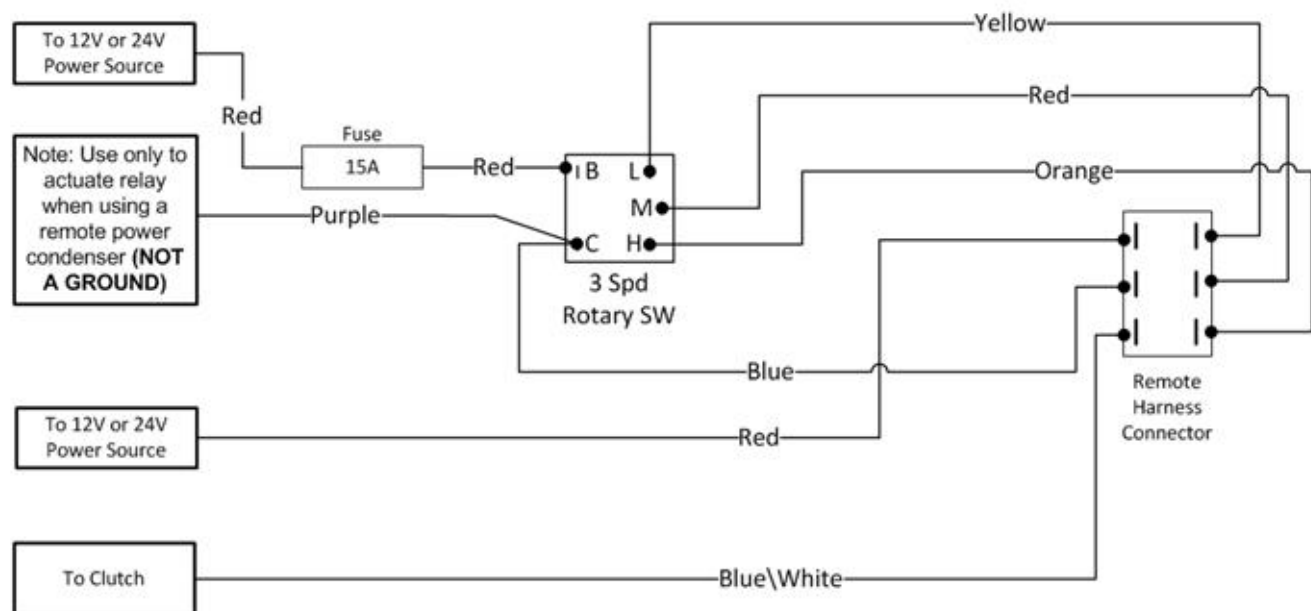
REVISION HISTORY			
REV	DESCRIPTION	DATE	ID
1	RTM	1/21/2004	
2	Add Relay and Revise Wire Harness	2/8/20012	28

Parts Breakdown				
ITEM	QTY	DTAC NO.	DESCRIPTION	NOTE
1	6	02-16061	3-1/2" Louver	
2	1	03-00165	Knob	
3	1	03-01702 or 03-01704	12V Relay 24V Relay	
4	1	03-13006	Rotary 3-Speed Switch	
5	1	03-13029	40 Amp Circuit Breaker	1
6	1	03-14013	Preset Thermostat	
7	1	04-15004	Block Expansion Valve	
8	1	07-00316	Cool Only Evap Coil	
9	1	09-00621	One Inch Grommet	
10	2	09-04012	#8 O-Ring	
11	15 ft	10-20012	Drain Hose, 1/2"	1
12	12	12-00003	1/4-20 X 3/8 Bolt	
13	1	12-00021	1/4-20 x 1.25 Hex Bolt	
14	4	12-00023	5/16-18 - 1.5	
15	4	12-00054	Whz Nut 5/16-18	
16	1	12-00057	1/4-20 Whiz Nut	
17	2	12-00123	Kazoo Drain Restrictor	1
18	1	12-00315R	External Remote Wire Harness	1
19	1	12-00315RS	Internal Wire Harness (Remote)	1
20	1	12-01874	1/2" Plastic Drain Tee	1
21	2	12-01875	1/2" Plastic Drain Elbow	1
22	4	12-02643	1/2" Button Plug	
23	2	12-02683	3/4" Button Plug	
24	1	12-02783	1" Button Plug	
25	1	12-50421	Face Plate - Air Increase	
26	2	30-51580 or 30-51581	12V Blower Assembly or 24V Blower Assembly	
27	2	31-50000	Filter 315	
28	1	31-50001	Lid	
29	1	31-50002	Housing	
30	1	50-50500	Expansion Valve Mnt Brkt	
31	-	Note 1	Part not shown	

UNIT SPECIFICATIONS						
BTU'S COOL	BTU'S HEAT	AIR FLOW	WEIGHT	MOTOR	CURRENT DRAW	DTAC NO.
35,000	-	410 CFM	48 LBS	2-12V	24 AMPS @ 13.6 VDC	315-12CR
"	-	"	"	2-24V	14 AMPS @ 27 VDC	315-24CR

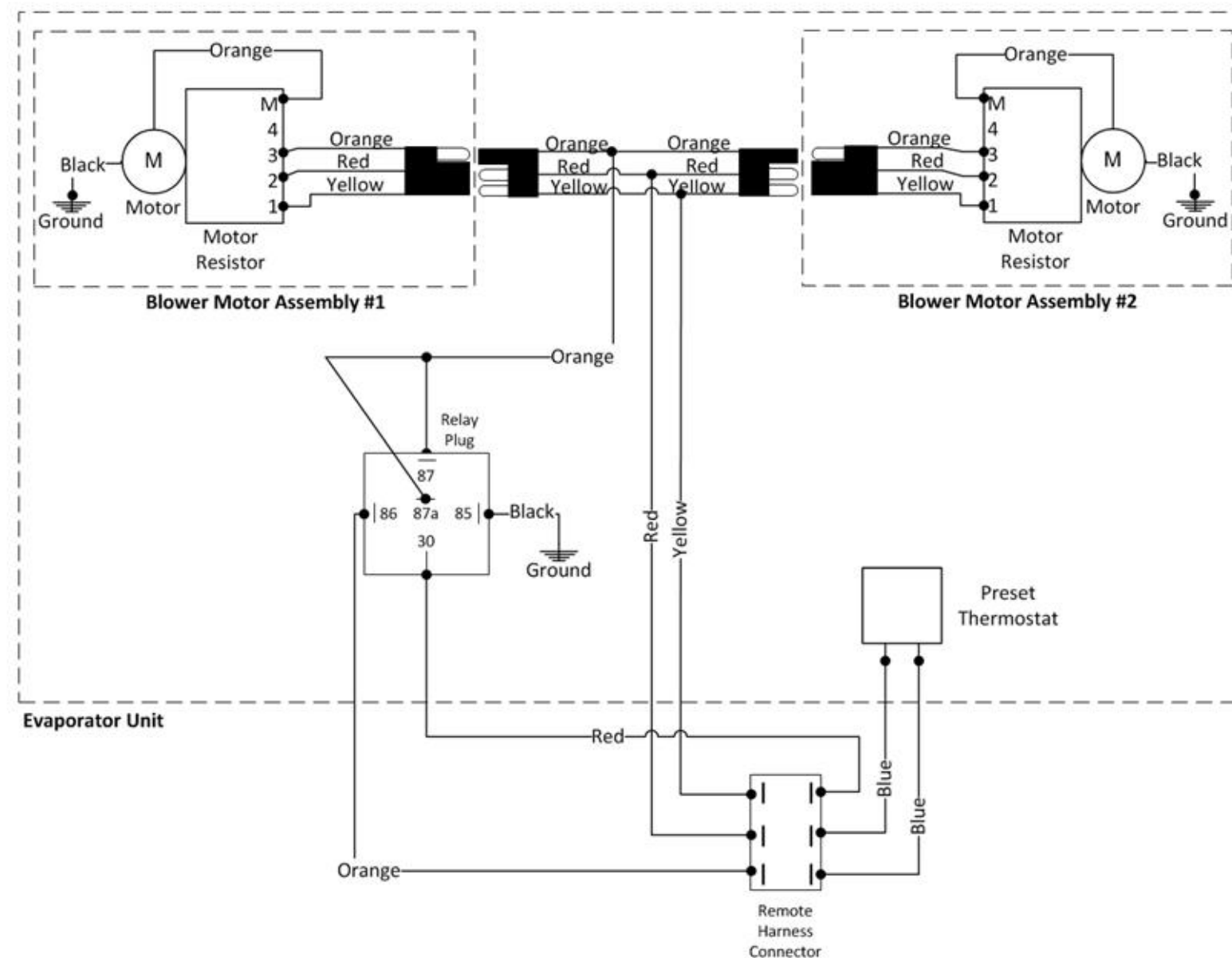
		DTAC- HEAVY EQUIPMENT HEAT/COOL SYSTEMS	
		TITLE 315-CR PARTS BREAKDOWN AND UNIT SPECIFICATIONS	
MODELED JSHAW		DWG NAME 315-CR Drawings.idw	
DRAWN jhamaker	8/4/2011	SIZE B	NOTE: ALL UNITS IN INCHES

## 315-CR Series – Cool/Remote External Wire Diagram



NOTE:  
One 24" piece of Red 10ga wire included to connect battery and circuit breaker (optional)

## 315-CR Series Internal Wire Diagram



Manufacturer of Heavy Equipment Heat/Cool Systems  
5130 Edgefield Ln, TX 76065 USA  
Phone 1-800-527-9477 Fax 1-800-299-5972  
www.dtac.com

12-00315R Rev2  
02.09.12



Manufacturer of Heavy Equipment Heat/Cool Systems  
5130 Edgefield Ln, TX 76065 USA  
Phone 1-800-527-9477 Fax 1-800-299-5972  
www.dtac.com

12-00315RS rev2  
02.09.12

SIZE  
B

SHEET 4 OF 4