



EVAPORATORS

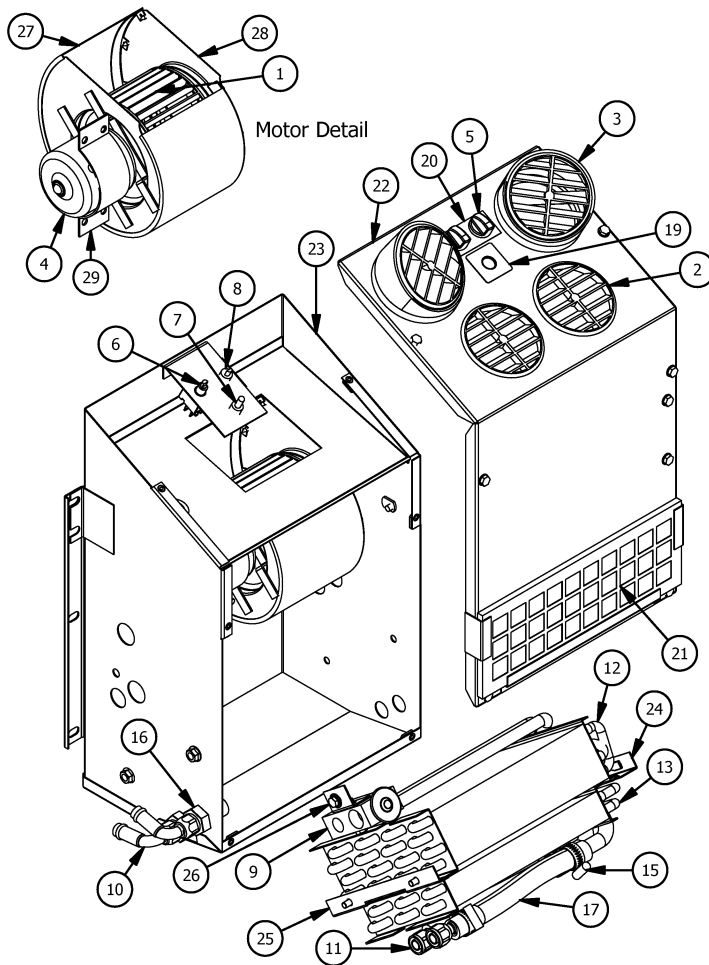
500-HC Series

Heat/Cool, Wall Mount or Between the Seat



FEATURES

- Available 12 or 24 Volt
- Three Speed Blower Motor
- Adjustable Thermostat
- Filtered Intake Air
- Easy Servicing by Removing Front Panel
- Mounting Flange Welded to Case
- Steel Case with Black Powder Coat Finish



500-HC Parts List Rev.1				
ITEM	QTY	DTAC NO.	DESCRIPTION	NOTE
1	1	02-16039	Blower Wheel CCW 701	
2	2	02-16061	3-1/2" Louver	
3	2	02-16073	3.5" Angled Louver	
4	1	02-18005 02-18105	12V 3SP Single Shaft Motor 24V 3SP Single Shaft Motor	
5	2	03-00165	Knob	
6	1	03-13006	Rotary 3-Speed Switch	
7	1	03-13020	Toggle Switch	
8	1	03-14002	Rotary Thermostat	
9	1	04-15004	Block Expansion Valve	
10	2	05-00301	90 Degree Heater Fitting	
11	2	05-50818	Heater Fitting	
12	1	07-00500	Evaporator Coil	
13	1	07-00504	Heater Coil	
15	4	09-04000	Hose Clamp	
16	2	09-50004	#8 MIO Bulkhead w Jam Nut	
17	2	10-00058	5/8" Heater Hose	
18	1	12-00504	Wire Harness	1
19	1	12-50420	Face Plate - Heat/Cool	
20	1	12-50739	Faceplate	
21	1	50-00005	Filter 500	
22	1	50-40000	Lid	
23	1	50-40001	Bottom Housing	
24	1	50-40002	Coil Brkt, LG	
25	1	50-40003	Coil Brkt, SM	
26	1	50-50500	Expansion Valve Mnt Brkt	
27	1	50-50600	Blower Housing	
28	1	50-50601	Venturi	
29	1	50-50719	Motor Strap	
67	1	Note 1	Item Not Shown	

BTU'S HEAT	BTU'S COOL	AIR FLOW	HEIGHT	WIDTH	DEPTH	WEIGHT	MOTOR	CURRENT DRAW	DTAC NO.
15,000	20,500	300 CFM	11"	11.81"	8.25"	28 LBS	1-12V	13.5 AMPS @ 13.5 VDC	500-12HC
"	"	"	"	"	"	"	1-24V	7 AMPS @ 26.8 VDC	500-24HC