



EVAPORATORS

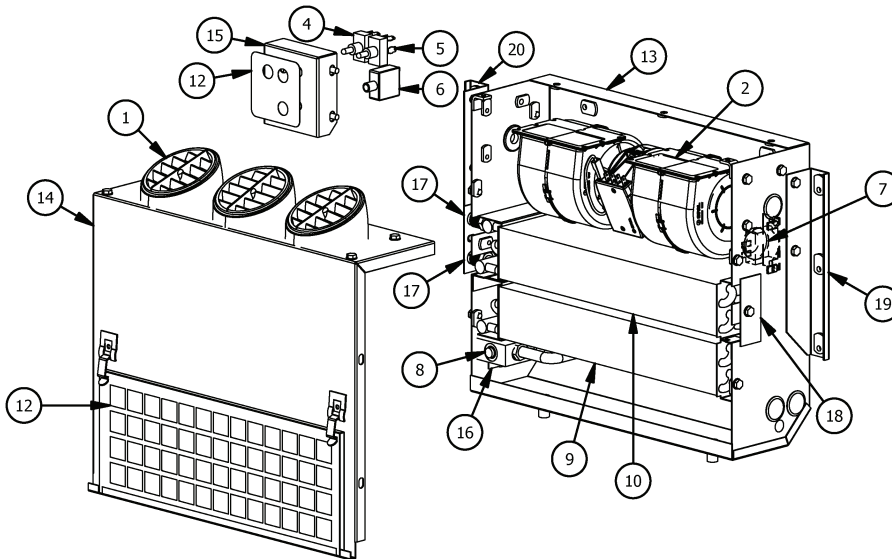
505-HC Series

Heat/Cool, Wall Mount



FEATURES

- Available 12 or 24 Volt
- Three Speed Blower Motor
- Filtered Intake Air
- Easy Servicing by Removing Front Panel
- Mounting Flange Welded to Case
- Steel Case with Black Powder Coat Finish



EVAPORATORS

| 505-HC Parts List Rev.1 | | | | | 505-HC Parts List Rev.1 | | | | |
|-------------------------|-----|------------|---------------------------|------|-------------------------|-----|----------|---------------------|------|
| ITEM | QTY | DTAC NO. | DESCRIPTION | NOTE | ITEM | QTY | DTAC NO. | DESCRIPTION | NOTE |
| 1 | 3 | 02-16073 | 3.5 in Angled Louver | | 11 | 1 | 12-00505 | Wire Harness | 1 |
| 2 | 1 | 02-17503 | 12V Blower Motor Assembly | | 12 | 1 | 40-00003 | Intake Filter | |
| | | 02-17523 | 24V Blower Motor Assembly | | 13 | 1 | 50-50000 | Housing | |
| 3 | 1 | 03-01702 | 12V Relay | 1 | 14 | 1 | 50-50001 | Lid | |
| | | 03-01704 | 24V Relay | | 15 | 1 | 50-50003 | Switch Panel | |
| 4 | 1 | 03-13017 | Toggle SW 6 -Term | | 16 | 1 | 50-50004 | Block Valve Bracket | |
| 5 | 1 | 03-13018 | Toggle SW 4 -Term | | 17 | 1 | 50-50005 | Coil End Plate | |
| 6 | 1 | 03-13039 | Circuit Breaker | | 18 | 1 | 50-50006 | End Plate | |
| 7 | 1 | 03-14013 | Preset Thermostat | | 19 | 1 | 50-50007 | Mount Brkt - Right | |
| 8 | 1 | 04-15004 | Block Expansion Valve | | 20 | 1 | 50-50008 | Mount Brkt - Left | |
| 9 | 1 | 07-00505EV | Evaporator Coil | | | | | | |
| 10 | 1 | 07-00505H | Heater Coil | | | | | | |

| BTU'S HEAT | BTU'S COOL | AIR FLOW | HEIGHT | WIDTH | DEPTH | WEIGHT | MOTOR | CURRENT DRAW | DTAC NO. |
|------------|------------|----------|--------|-------|-------|--------|-------|-------------------|----------|
| 22,000 | 15,200 | 300 CFM | 16.7" | 17.5" | 5.7" | 30 LBS | 1-12V | 9 Amps @ 13.5 VDC | 505-12HC |
| " | " | " | " | " | " | " | 1-24V | 4.5 Amps @ 27 VDC | 505-24HC |