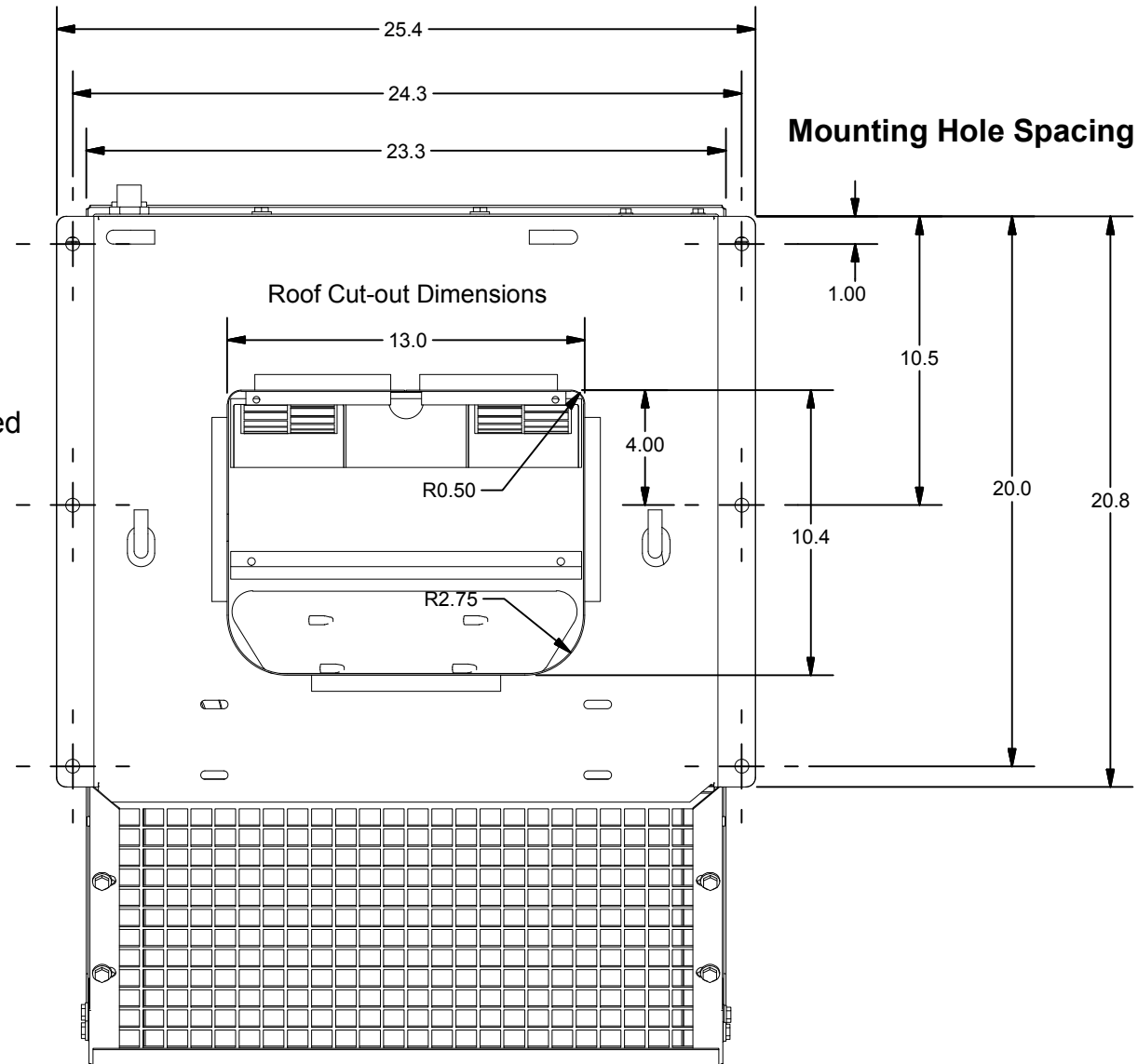
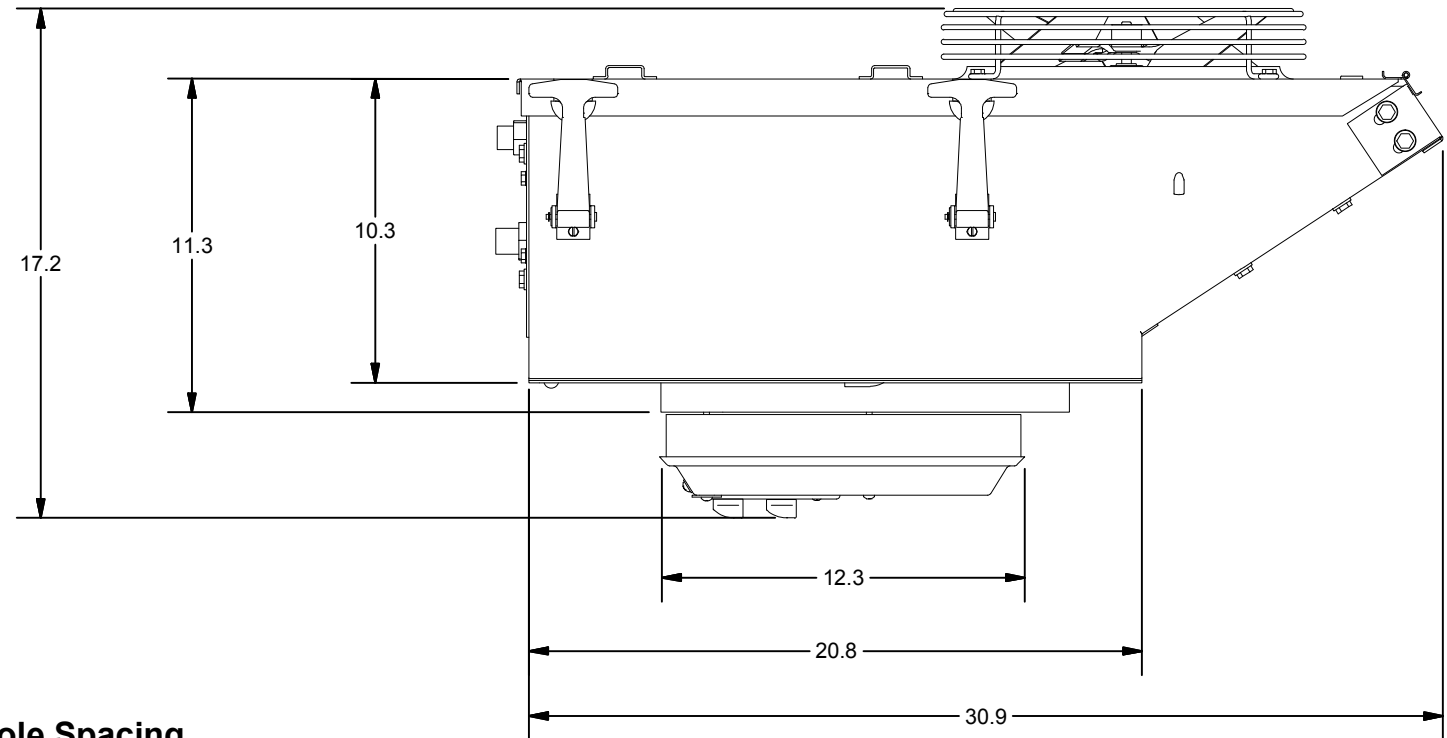
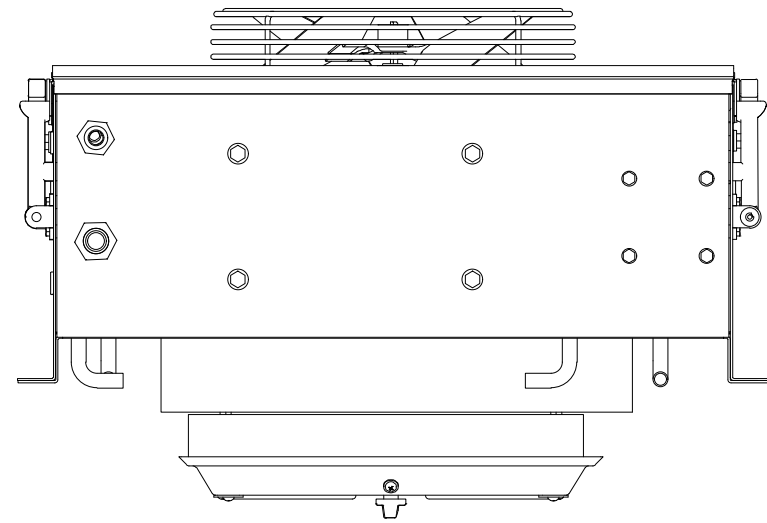


701 FOOTPRINT AND MOUNTING INFORMATION



Mounting Specifications	
Quantity	Description
6	1/2" DIA HOLE- NO THREADS



DTAC- HEAVY EQUIPMENT HEAT/COOL SYSTEMS

TITLE
701 FOOTPRINT AND MOUNTING INFORMATION

MODELED

JSHAW

DRAWN

jhamaker

DWG NAME

701 Drawings.idw

SIZE

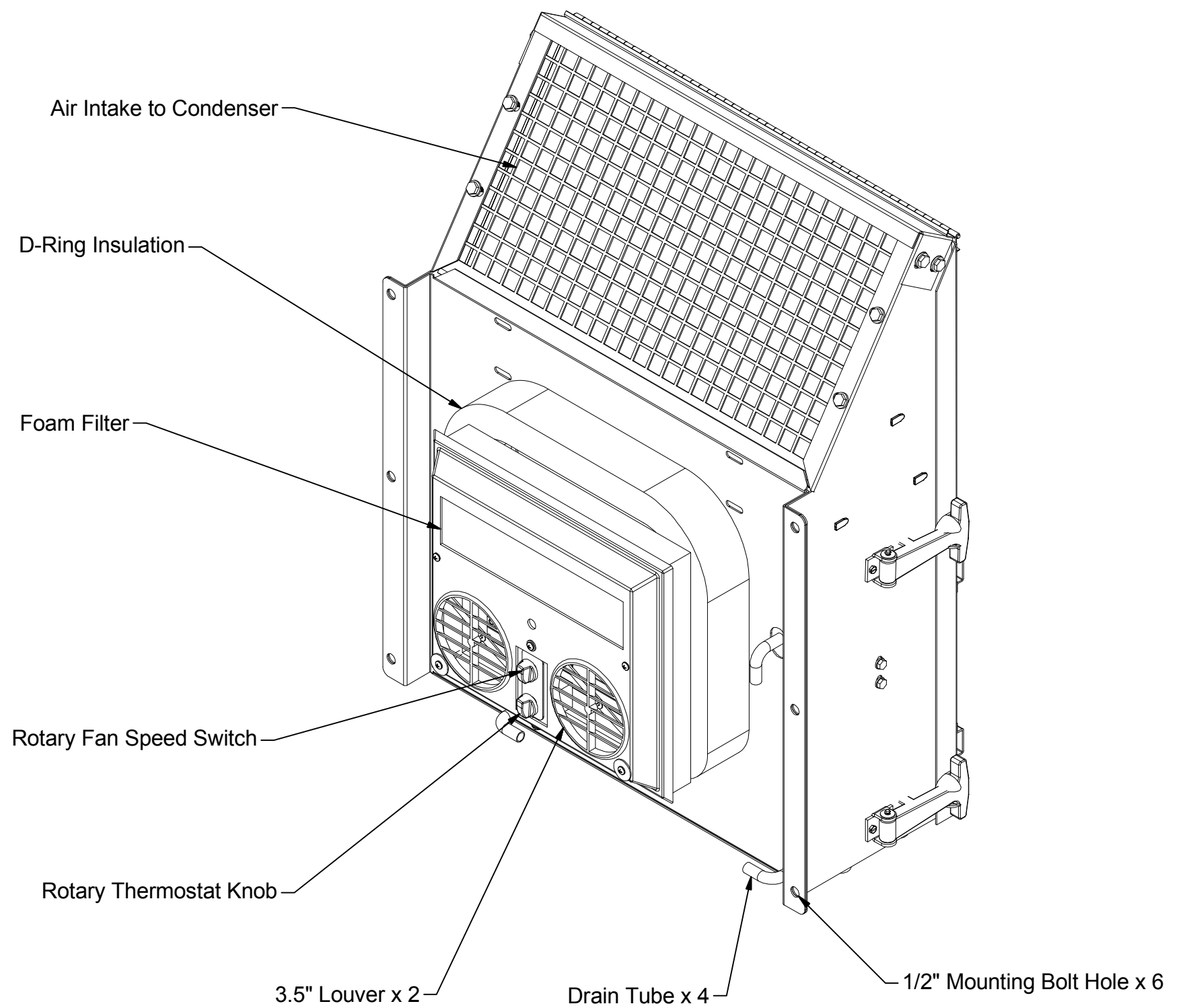
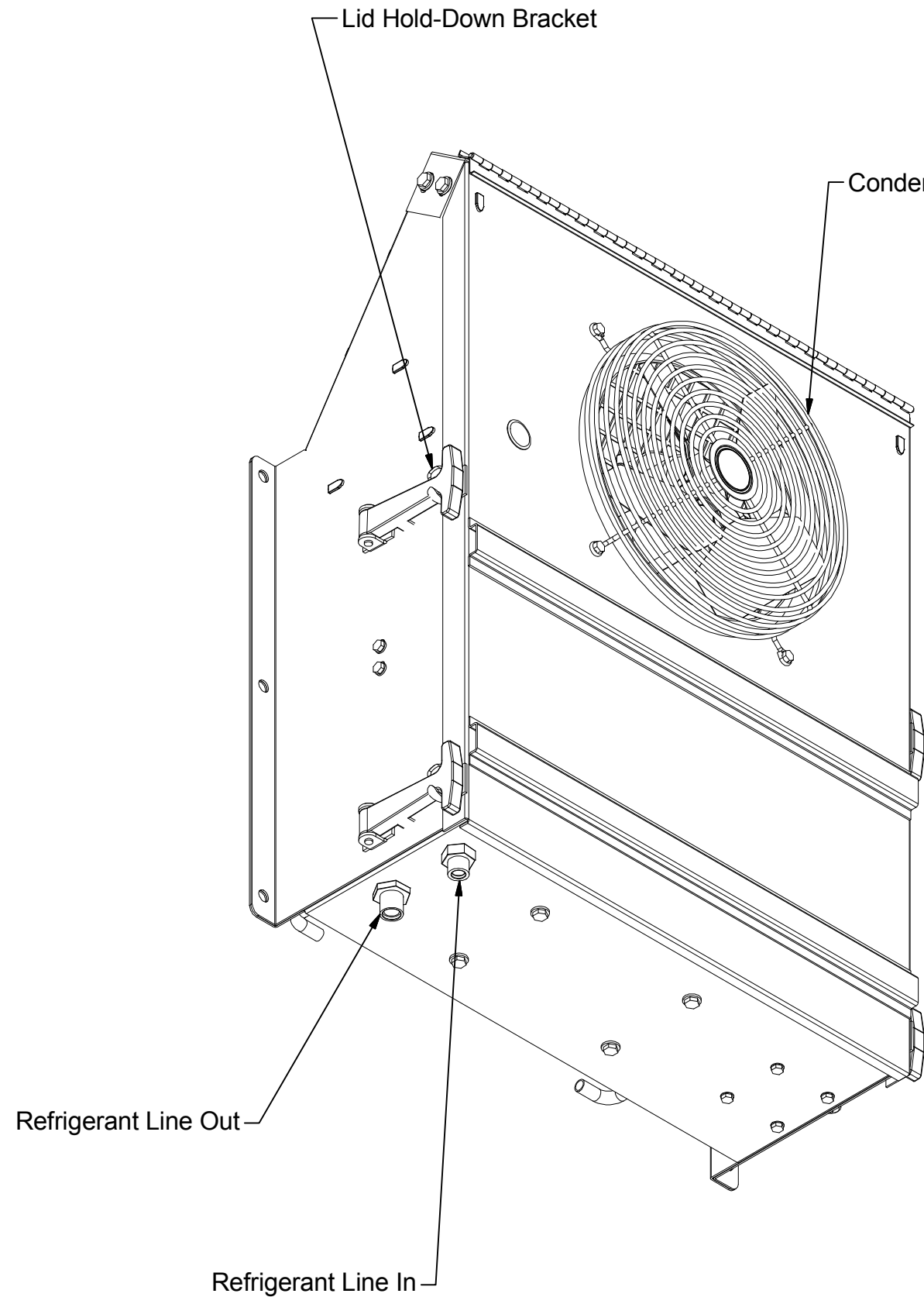
B


4/26/2016

NOTE: ALL UNITS IN INCHES

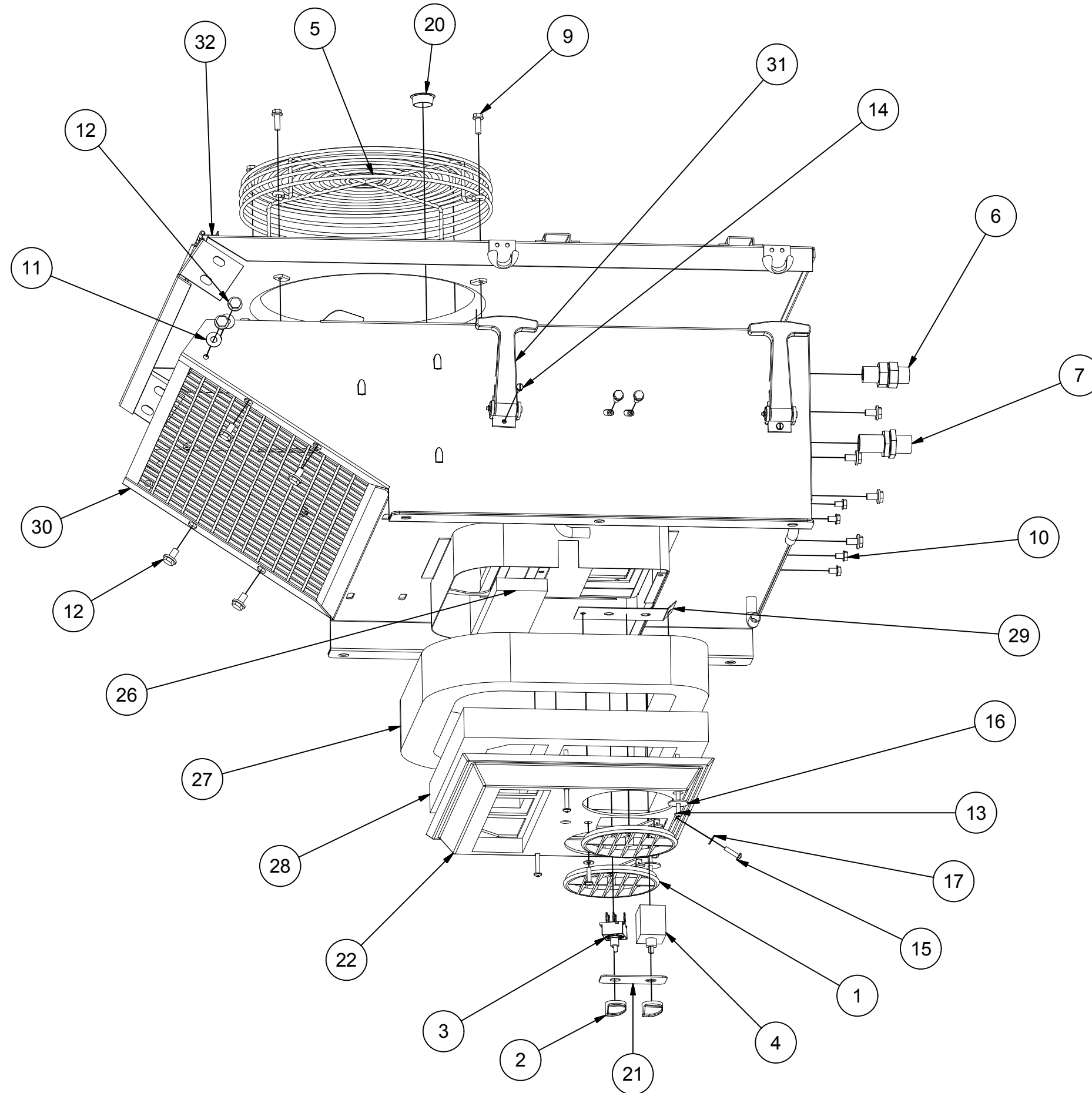
SHEET 1 OF 5

701 FEATURE SPECIFICATIONS



		DTAC- HEAVY EQUIPMENT HEAT/COOL SYSTEMS	
		TITLE 701 FEATURE SPECIFICATIONS	
MODELED		DWG NAME	
JSHAW		701 Drawings.idw	
DRAWN		SIZE	
jhamaker	4/26/2016	B	NOTE: ALL UNITS IN INCHES

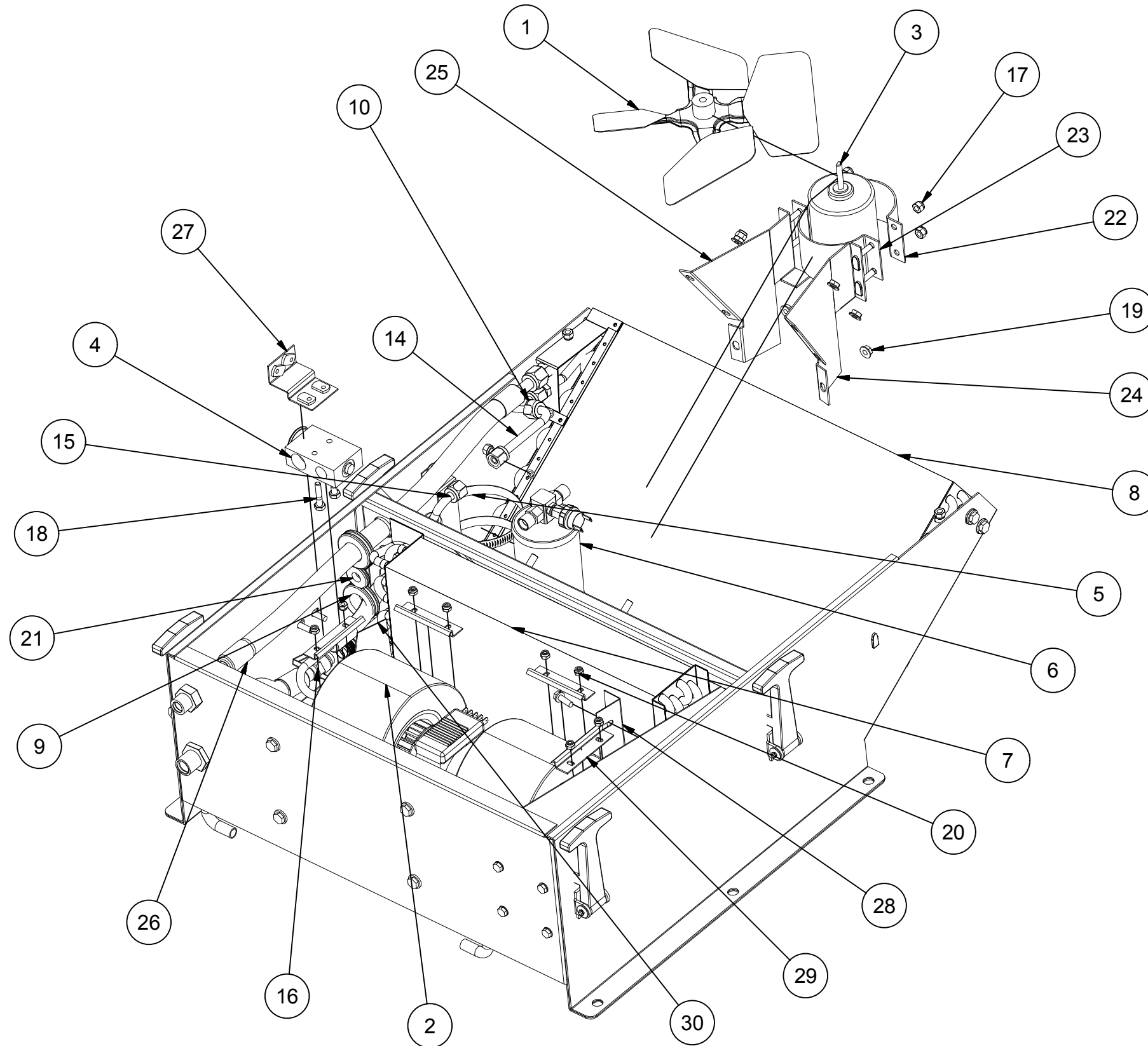
701 PARTS BREAKDOWN 1



Parts Breakdown 1- Exterior Parts				
ITEM	QTY	DTAC NO.	DESCRIPTION	NOTE
1	2	02-16065	Louver	
2	2	03-00165	Knob	
3	1	03-13006	Rotary 3-Speed Switch	
4	1	03-14003	Rotary Thermostat	
5	1	07-36008	Grille	
6	1	09-50004	#8 MIO Bulkhead w Jam Nut	
7	1	09-50005	#10 MIO Bulkhead w Jam Nut	
8	1	10-20012	Drain Hose	1
9	10	12-00002	1/4-20 X 3/4 Whiz Flange Bolt	
10	4	12-00003	1/4-20 X 3/8 Bolt	
11	4	12-00044	1/4 Flat Washer	
12	12	12-00045	5/16-18 X 1/2 Whiz Flange Bolt	
13	4	12-00047	Pan Head, 10-32 - 3	
14	8	12-00049	Slotted Hex Head Machine Screw	
15	2	12-00050	Pan Head, 10-32 - .75	
16	2	12-00101	Washer	
17	2	12-00104	10-24 Flatwasher	
18	2	12-00123SP	Drain Kazoo	1
19	1	12-01874	1/2" Plastic Tee	1
20	1	12-02783	1" Button Plug	
21	1	12-50419	Faceplate	
22	1	70-00001	Plenum	
23	1	70-00004	Template	1
24	1	70-00005	Adhesive Tube	1
25	1	70-00016	Wire Harness	1
26	1	70-50321	Foam Filter	
27	1	70-50323	D-Ring Insulation	
28	1	70-50324	Foam Insulation	
29	1	70-51585	Switch Panel	
30	1	70-51594	Bottom Housing, 701	
31	4	70-51595	Hood Latch	
32	1	70-51599	701 Lid	
31	-	Note 1	Part not shown	

DTAC		DTAC- HEAVY EQUIPMENT HEAT/COOL SYSTEMS	
MODELED		TITLE	
JSHAW		701 PARTS BREAKDOWN 1	
DRAWN		DWG NAME	
jhamaker		701 Drawings.idw	
4/26/2016		SIZE	
		B	
		NOTE: ALL UNITS IN INCHES	
		SHEET 3 OF 5	

701 PARTS BREAKDOWN 2 AND UNIT SPECIFICATIONS

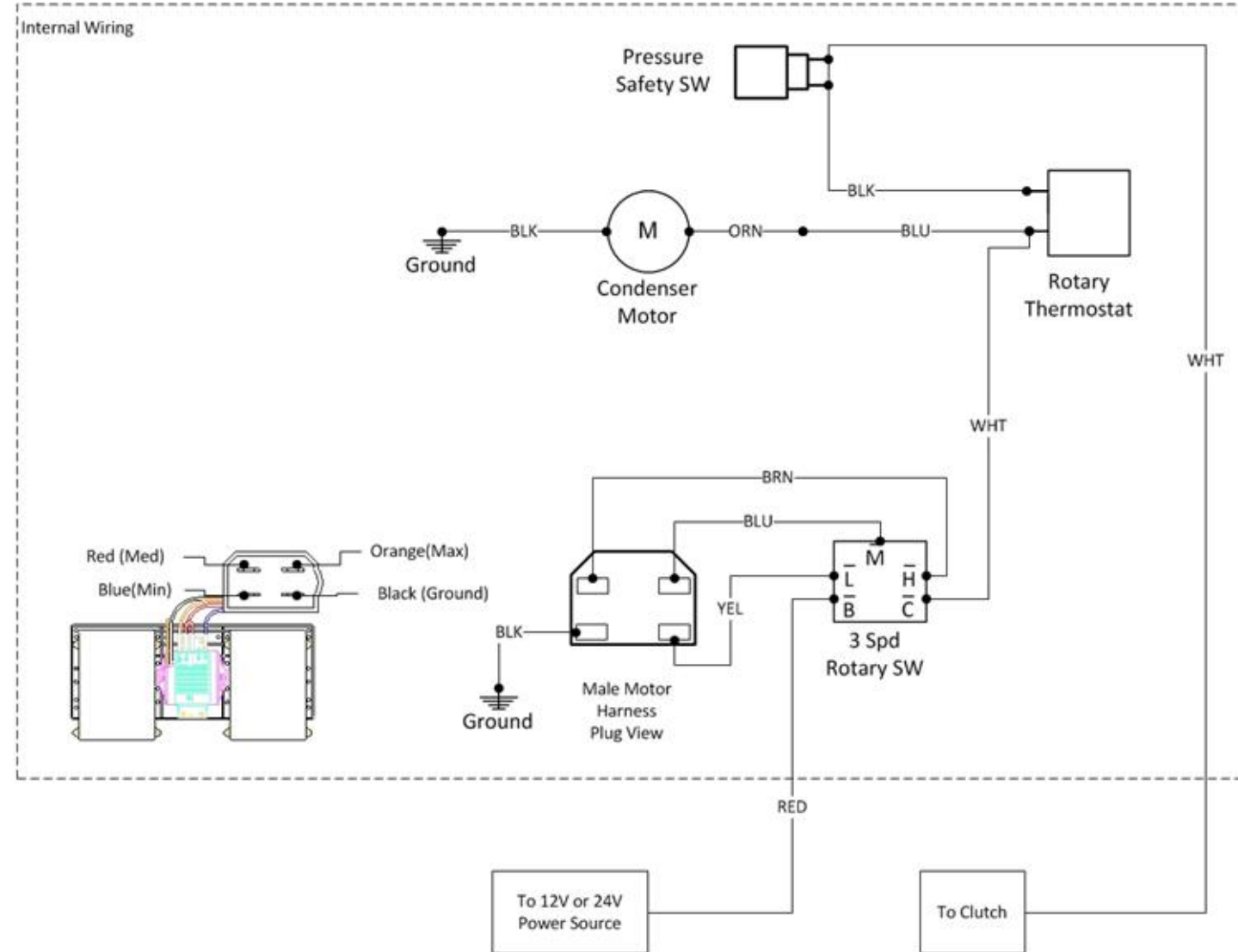


Parts Breakdown 2- Interior Parts				
ITEM	QTY	DTAC NO.	DESCRIPTION	NOTE
1	1	02-16008	Fan Blade	
2	1	02-17408 or 02-17509	12V Blower Assembly or 24V Blower Assembly	
3	1	02-48005 or 02-48105	Condenser Motor, 12V or Condenser Motor, 24V	
4	1	04-15004	Block Expansion Valve	
5	1	06-10107	Drier Brkt	
6	1	06-12067	Drier	
7	1	07-00700	Evap Coil	
8	1	07-00701	Cond Coil	
9	2	09-00621	One Inch Grommet	
10	1	09-02676BL	#6 FM to Male Adapter	
11	5	09-04011	#6 O-Ring	1
12	4	09-04012	#8 O-Ring	1
13	2	09-04013	#10 O-Ring	1
14	1	09-38276	No.6 Spec Fitting	
15	1	10-10700	No. 6 Hose Assy	
16	1	10-59297X	No. 10 Hose Assy	
17	9	12-00001	1/4 - 20 Nylon Nut	
18	2	12-00021	1/4-20 x 1.25 Hex Bolt	
19	8	12-00057	1/4-20 Whiz Nut	
20	9	12-00061	10-24 Nylock Nut	
21	1	12-00116	One Inch Grommet	
22	1	12-00130	Motor Mount Top	
23	1	40-00005	Motor Mount Bottom	
24	1	70-00006	Motor Mount Left	
25	1	70-00007	Cond Brkt-Right	
26	1	70-00102	No. 8 Hose Assy	
27	1	70-51587	Block Vlv Brkt	
28	1	70-51589	Coil Brkt	
29	4	70-51590	Blower Retainer Bracket	
30	1	70-51591	Drain Pan 701	
31	-	Note 1	Part not shown	

UNIT SPECIFICATIONS						
BTU'S COOL	BTU'S HEAT	AIR FLOW	WEIGHT	MOTOR	CURRENT DRAW	DTAC NO.
23,500	-	345 CFM	92 LBS	1-12V	27 AMPS @ 13.5 VDC	701-12
"	-	"	"	1-24V	14 AMPS @ 26.8 VDC	701-24

DTAC	DTAC- HEAVY EQUIPMENT HEAT/COOL SYSTEMS		
	TITLE 701 PARTS BREAKDOWN 2 AND UNIT SPECIFICATIONS		
MODELED JSHAW	DWG NAME 701 Drawings.idw		
DRAWN jhamaker	4/26/2016	SIZE B	NOTE: ALL UNITS IN INCHES

701 Series Wiring Diagram



Note: Using Unimotor evaporator blower motor



Manufacturer of Heavy Equipment Heat/Cool Systems
5130 Edgefield Ln, TX 76065 USA
Phone 1-800-527-9477 Fax 1-800-299-5972
www.dtac.com

70-00016
06.07.12

SIZE
B

SHEET 5 OF 5