



EVAPORATORS

800-C & HC Series

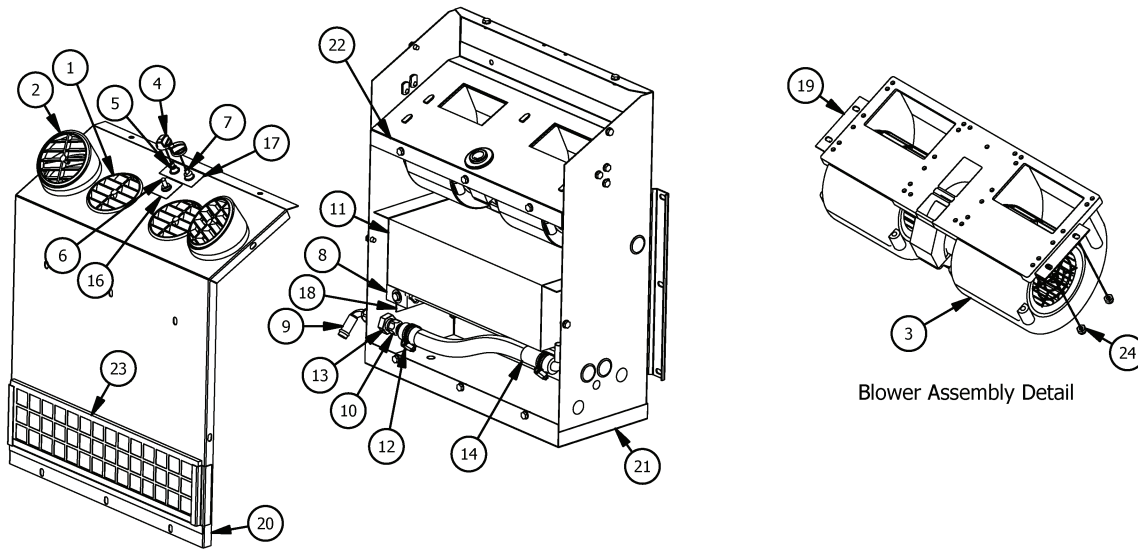
Heat/Cool, Wall Mount

EVAPORATORS



FEATURES

- **New Upgraded Blower Assembly**
- Available 12 or 24 Volt
- Three Speed Blower Motor
- Adjustable Thermostat
- Easy Servicing by Removing Front Panel
- Mounting Flange Welded to Case
- Access to All Internal Parts Without Removal of Unit
- Steel Case with Black Powder Coat Finish



800-C & HC Parts List Rev.1					800-C & HC Parts List Rev.1				
ITEM	QTY	DTAC NO.	DESCRIPTION	NOTE	ITEM	QTY	DTAC NO.	DESCRIPTION	NOTE
1	2	02-16061	3.5 in Louver		14	2	10-00058	5/8" Heater Hose	2
2	2	02-16073	3.5" Angled Louver		15	1	12-00801	Wire Harness 800	1
3	1	02-17505	12V Blower Assembly		16	1	12-50420	Face Plate - Heat/Cool	2
		02-17510	24V Blower Assembly		17	1	12-50739	Faceplate	
4	2	03-00165	Knob		18	1	50-50500	Expansion Valve Mnt Brkt	
5	1	03-13006	Rotary 3-Speed Switch		19	2	70-51590	Blower Retainer Bracket	
6	1	03-13020	Toggle Switch	2	20	1	80-00007	Lid	
7	1	03-14002	Rotary Thermostat		21	1	80-00008	Rear Housing	
8	1	04-15004	Block Expansion Valve		22	1	80-00015A	Blower Asm Plate	
9	2	05-00301	90 Degree Heater Fitting	2	23	1	80-00017	Intake Filter, 800,315	
10	2	05-50818	Heater Fitting	2	24	1	Note 1	Item Not Shown	
11	1	07-00913	Heat/Cool Coil	2	25	1	Note 2	Used in HC only	
		07-00914	Cool Only Coil						
12	4	09-04000	Hose Clamp #6/#8	2					
13	2	09-50004	#8 MIO Bulkhead w Jam Nut	2					

BTU'S HEAT	BTU'S COOL	AIR FLOW	HEIGHT	WIDTH	DEPTH	WEIGHT	MOTOR	CURRENT DRAW	DTAC NO.
26,000	26,000	460 CFM	22"	18"	7.5"	30 LBS	1-12V	13.5 AMPS @ 13.5 VDC	800-12HC
"	"	"	"	"	"	"	1-24V	8 AMPS @ 27 VDC	800-24HC
--	30,000	460 CFM	22"	18"	7.5"	30 LBS	1-12V	13.5 AMPS @ 13.5 VDC	800-12C
--	"	"	"	"	"	"	1-24V	8 AMPS @ 27 VDC	800-24C