



EVAPORATORS

822 & 823 Series HC Series

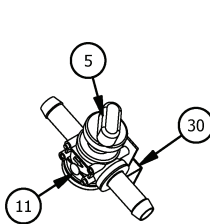
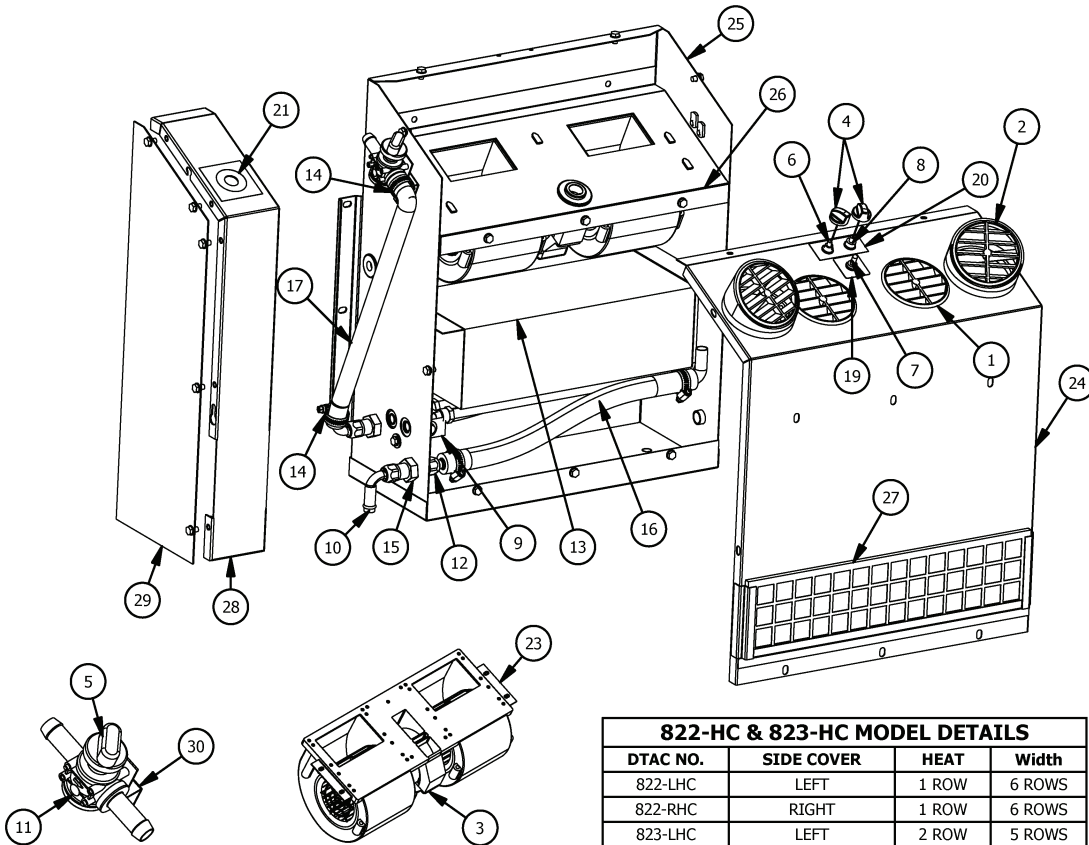
Heat/Cool, Wall Mount w/ Water Valve



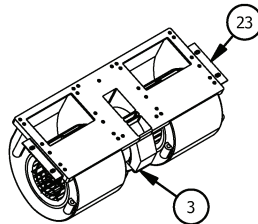
FEATURES

- **New Upgraded Blower Motor**
- Available 12 or 24 Volt
- Adjustable Water Valve & Cover Can be Mounted on Left or Right Side
- Three Speed Blower Motor
- Adjustable Thermostat
- Easy Servicing by Removing Front Panel
- Mounting Flange Welded to Case
- Access to All Internal Parts Without Removal of Unit
- Steel Case with Black Powder Coat Finish

EVAPORATORS



Water Valve Detail



Blower Assembly Detail

822-HC & 823-HC MODEL DETAILS			
DTAC NO.	SIDE COVER	HEAT	Width
822-LHC	LEFT	1 ROW	6 ROWS
822-RHC	RIGHT	1 ROW	6 ROWS
823-LHC	LEFT	2 ROW	5 ROWS
823-RHC	RIGHT	2 ROW	5 ROWS

BTU'S HEAT	BTU'S COOL	AIR FLOW	HEIGHT	WIDTH	DEPTH	WEIGHT	MOTOR	CURRENT DRAW	DTAC NO.
26,000	26,000	460 CFM	22"	21.4"	7.5"	35 LBS	1-12V	13.5 AMPS @ 13.5 VDC	822-12LHC
"	"	"	"	"	"	"	1-12V	13.5 AMPS @ 13.5 VDC	822-12RHC
"	"	"	"	"	"	"	1-24V	8 AMPS @ 27 VDC	822-24LHC
"	"	"	"	"	"	"	1-24V	8 AMPS @ 27 VDC	822-24RHC
36,000	24,000	"	"	"	"	"	1-12V	13.5 AMPS @ 13.5 VDC	823-12LHC
"	"	"	"	"	"	"	1-12V	13.5 AMPS @ 13.5 VDC	823-12RHC
"	"	"	"	"	"	"	1-24V	8 AMPS @ 27 VDC	823-24LHC
"	"	"	"	"	"	"	1-24V	8 AMPS @ 27 VDC	823-24RHC

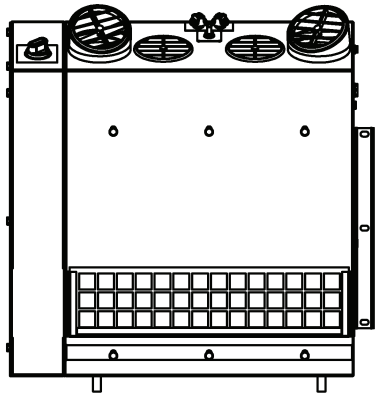


EVAPORATORS

822 & 823 HC Series Continued

Heat/Cool, Wall Mount w/ Water Valve

EVAPORATORS



Left Hand Configuration Shown.

Available in Left and Right Hand Configurations

822-HC & 823-HC Parts List Rev.1				
ITEM	QTY	DTAC NO.	DESCRIPTION	NOTE
1	2	02-16061	3.5 in Louver	
2	2	02-16073	3.5" Angled Louver	
3	1	02-17505	12V Blower Assembly	
		02-17510	24V Blower Assembly	
4	2	03-00165	Knob	
5	1	03-00167	Knob	
6	1	03-13006	Rotary 3-Speed Switch	
7	1	03-13020	Toggle Switch	
8	1	03-14002	Rotary Thermostat	
9	1	04-15004	Block Expansion Valve	
10	2	05-00301	90 Degree Heater Fitting	
11	1	05-04258	Water Valve	
12	2	05-50818	Heater Fitting	
13	1	07-00912	Heat/Cool Coil - 823 Series	
		07-00913	Heat/Cool Coil - 822 Series	
14	6	09-04000	Hose Clamp #6/#8	
15	2	09-50004	#8 MIO Bulkhead w Jam Nut	
16	2	10-00058	5/8" Heater Hose	
17	1	10-80404	Heater Hose 90 Deg	
18	1	12-00801	Wire Harness 800	1
19	1	12-50420	Face Plate - Heat/Cool	
20	1	12-50739	Faceplate	
21	1	12-50740	Decal	
22	1	50-50500	Expansion Valve Mnt Brkt	1
23	2	70-51590	Blower Retainer Bracket	
24	1	80-00007	Lid	
25	1	80-00008	Rear Housing	
26	1	80-00015A	Blower Asm Plate	
27	1	80-00017	Intake Filter, 800,315	
28	1	82-20000	822 Side Cover	
29	1	82-20001	822 Cover Plate	
30	1	82-20004	822 Water Valve Brkt	
31	1	Note 1	Item Not Shown	