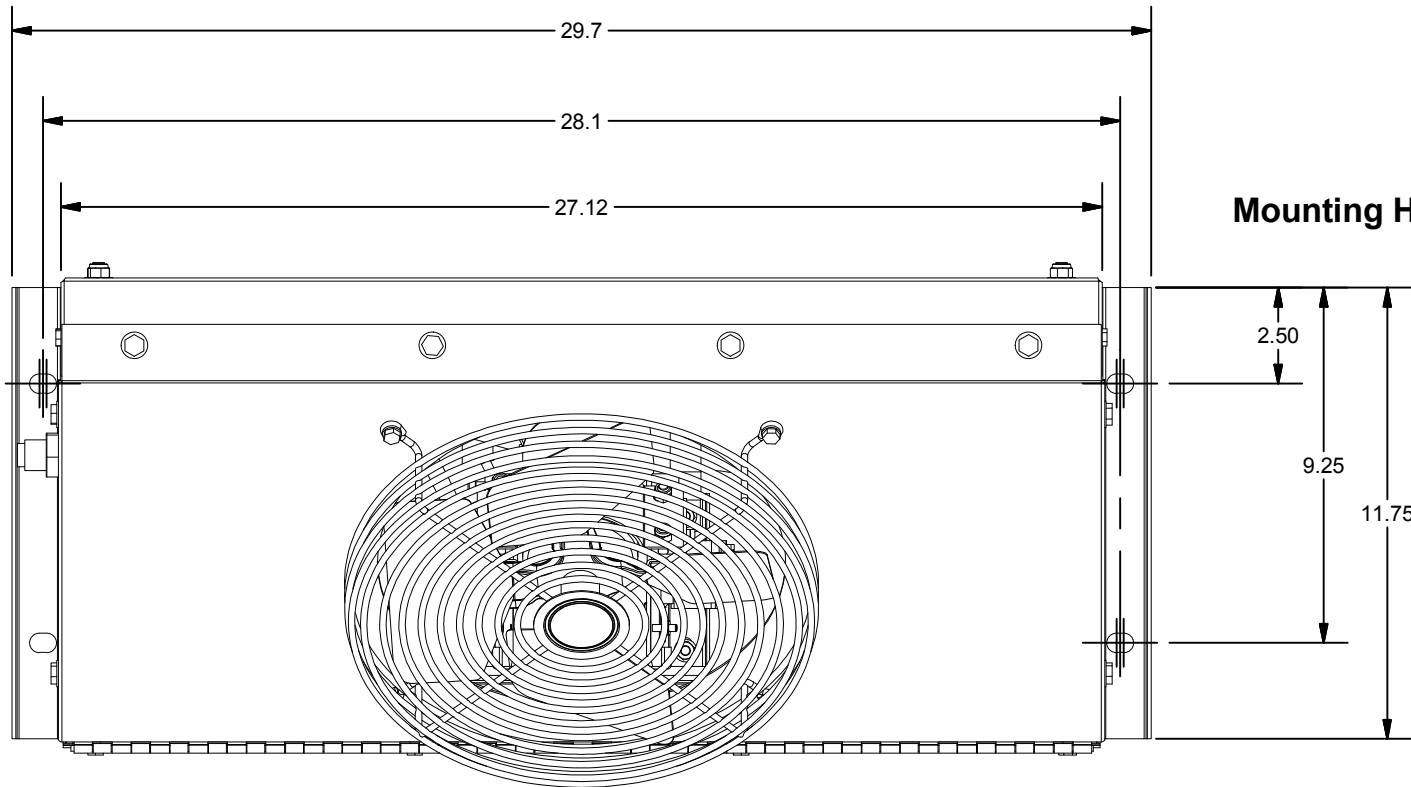
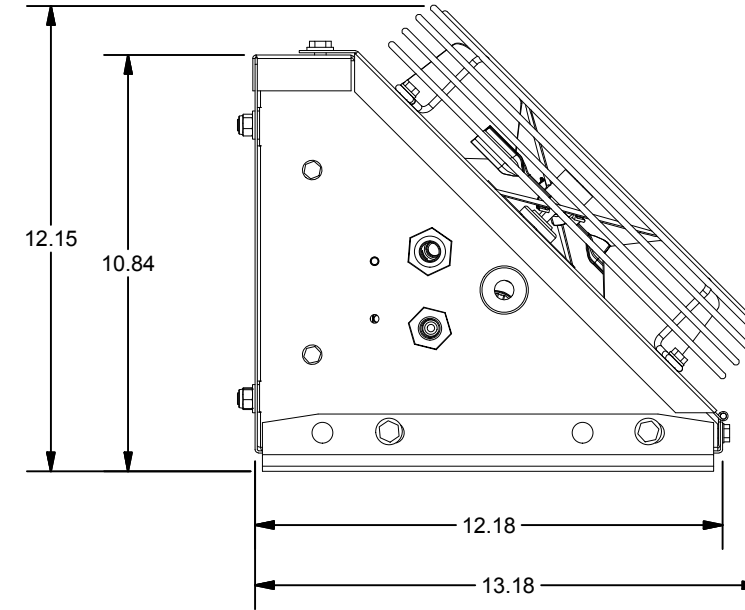
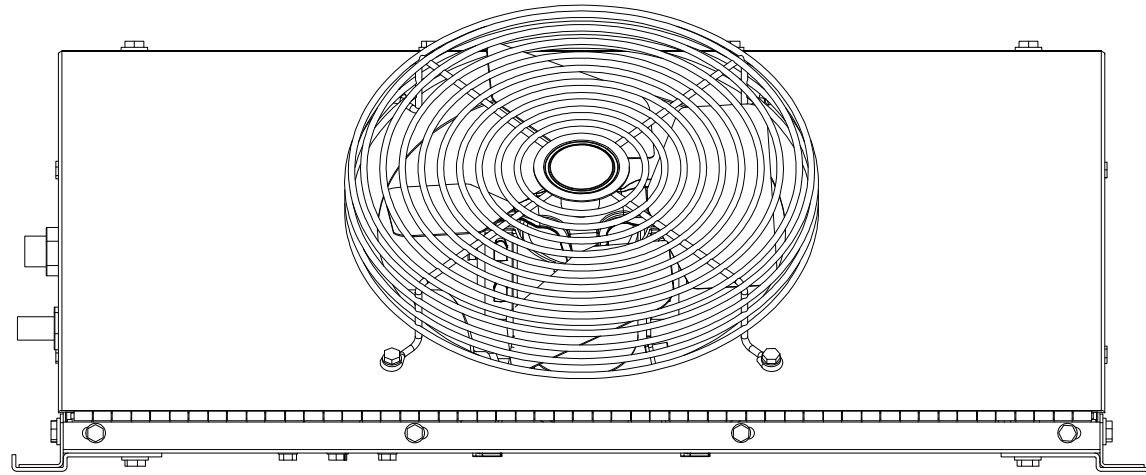


07-36002-A FOOTPRINT AND MOUNTING INFORMATION



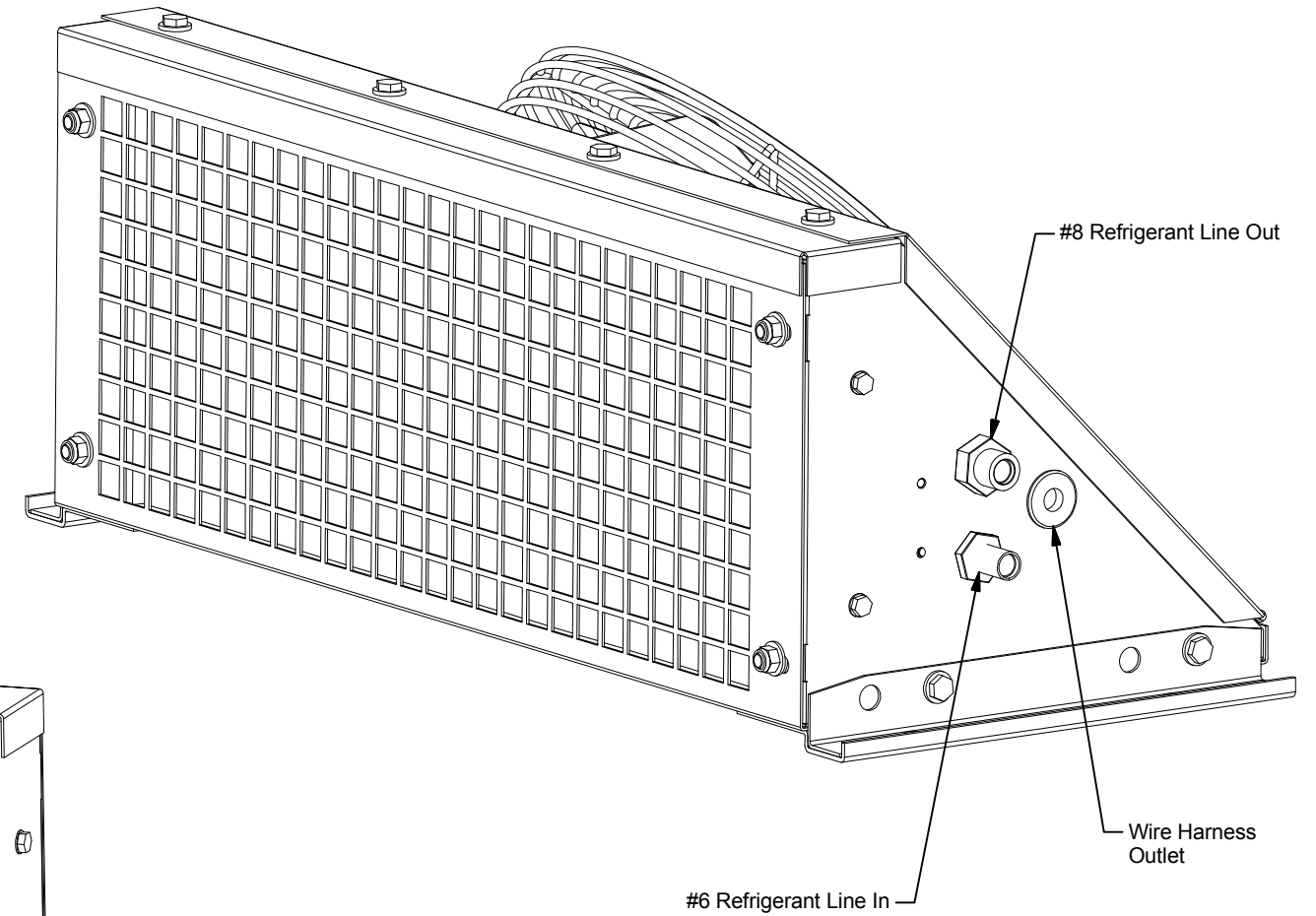
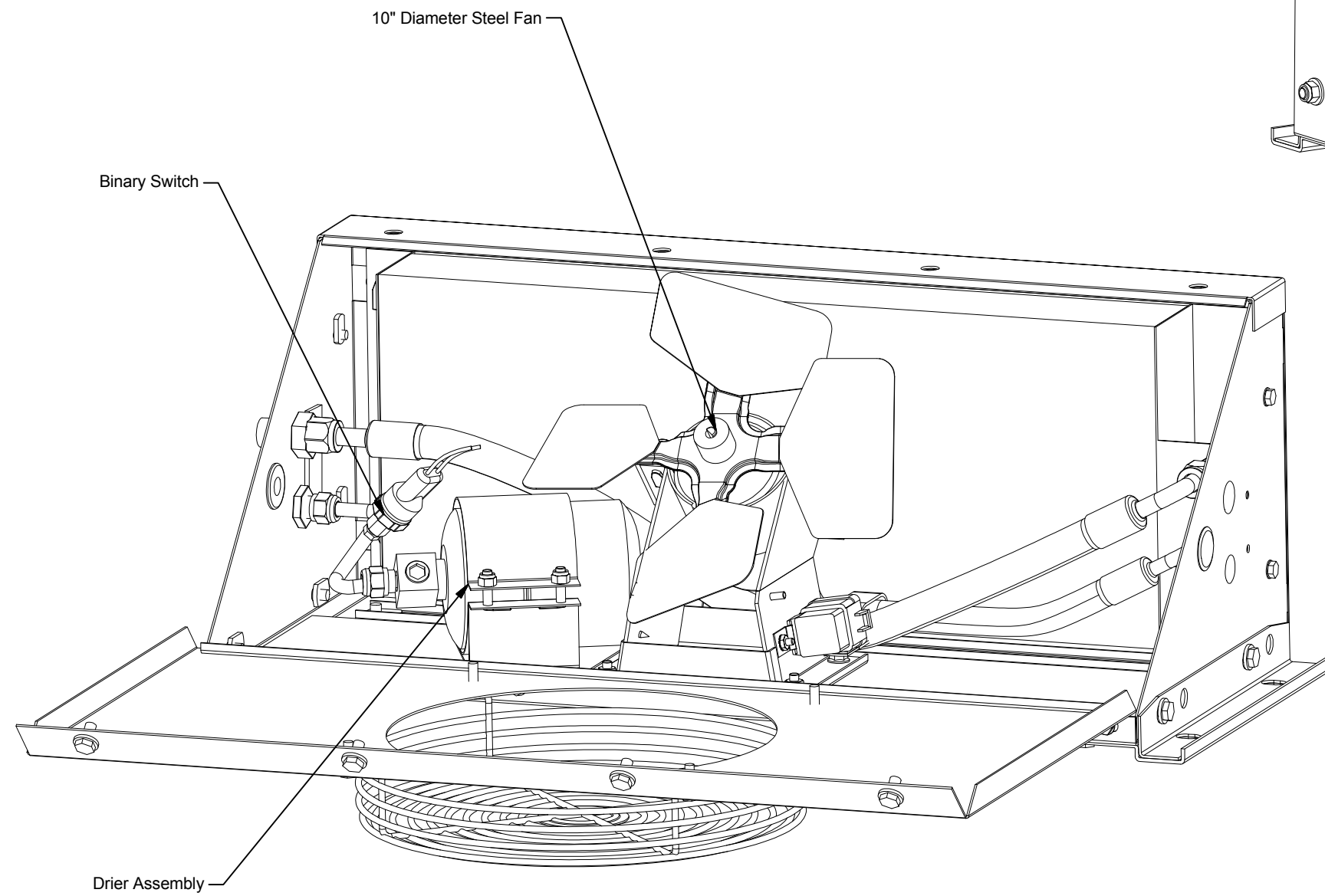
Mounting Hole Spacing


Mounting Specifications	
Quantity	Description
4	1/2" DIA HOLE- NO THREADS

DTAC [®]		DTAC- HEAVY EQUIPMENT HEAT/COOL SYSTEMS	
		TITLE 07-36002-A FOOTPRINT AND MOUNTING INFORMATION	
MODELED JSHAW		DWG NAME 07-36002-A Drawings.idw	
DRAWN justin	8/9/2016	SIZE B	NOTE: ALL UNITS IN INCHES

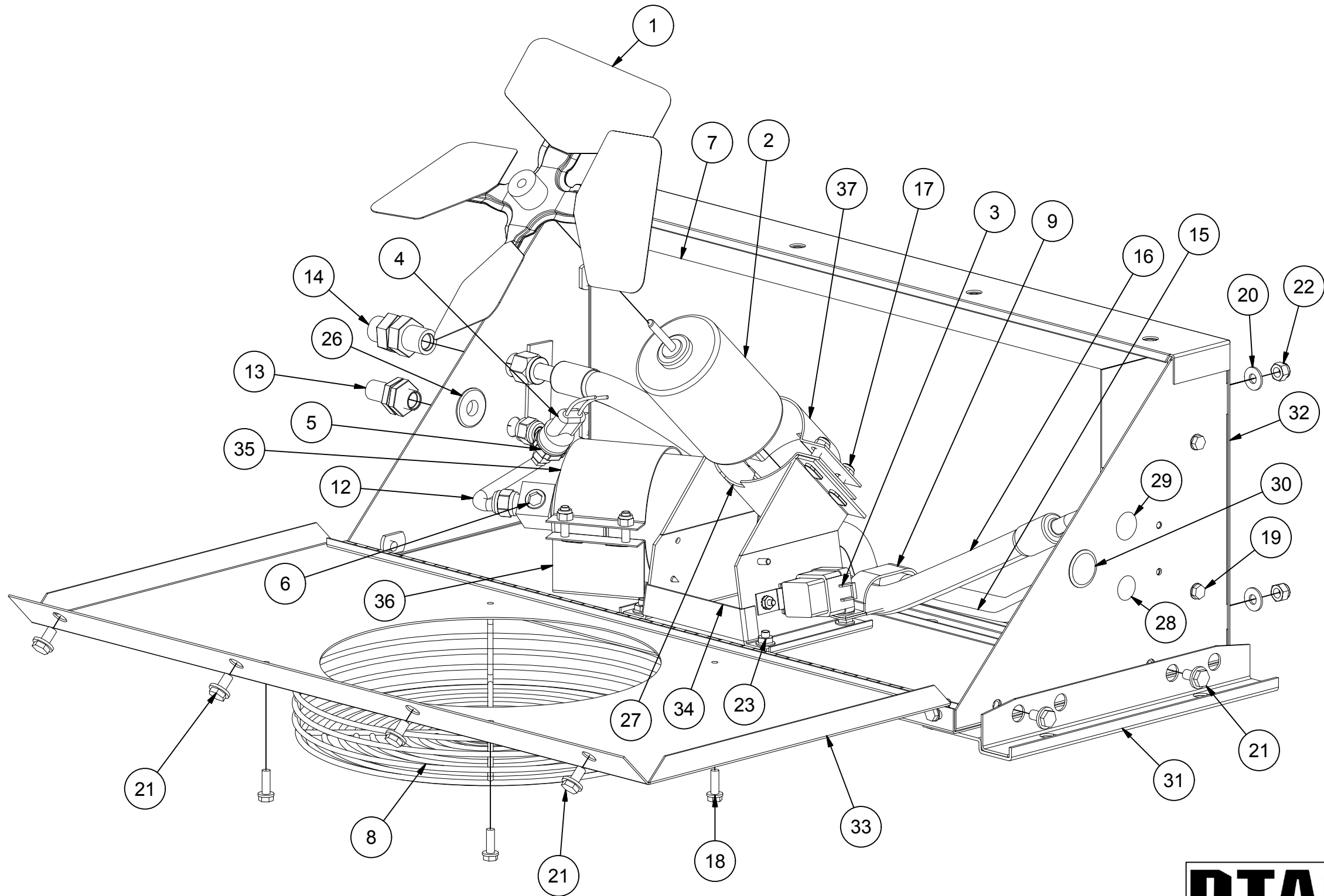
07-36002-A FEATURE SPECIFICATIONS

***07-36002-A is same as 07-36002 but "A" version includes water proof relay.



		DTAC- HEAVY EQUIPMENT HEAT/COOL SYSTEMS	
		TITLE 07-36002-A FEATURE SPECIFICATIONS	
MODELED		DWG NAME 07-36002-A Drawings.idw	
JSHAW		SIZE B	NOTE: ALL UNITS IN INCHES
DRAWN	8/9/2016		
justin			SHEET 2 OF 4

07-36002-A PARTS BREAKDOWN AND UNIT SPECIFICATIONS



07-36002-A Parts List Rev.1				
ITEM	QTY	PART NUMBER	DESCRIPTION	NOTE
1	1	02-16008	Fan Blade	
2	1	02-48005	12V Cond. Motor	
		02-48105	24V Cond. Motor	
3	1	03-01712	12V, 5 Term Water Proof Relay	
		02-01724	24V, 5 Term Water Proof Relay	
4	1	03-13036	Binary Boot	
5	1	03-34070	Binary Pressure Switch	
6	1	06-12040	Rec Drier, 78000, 36002	
7	1	07-35001	Condenser Coil	
8	1	07-36008	Grille	
9	2	09-04004	Double Hose Clamp- Steel	
10	4	09-04011	#6 O-Ring	1
11	2	09-04012	#8 O-Ring	1
12	1	09-37595	Fitting- Drier to Outlet, 36002	
13	1	09-50003	#6 MIO Bulkhead w Jam Nut	
14	1	09-50004	#8 MIO Bulkhead w Jam Nut	
15	1	10-36007	#6 Hose Assy	
16	1	10-36008	#8 Hose Assy.	
17	9	12-00001	1/4 - 20 Nylon Nut	
18	4	12-00002	1/4-20 X 3/4 Whiz Flange Bolt	
19	12	12-00003	1/4-20 X 3/8 Bolt	
20	8	12-00044	1/4 Flat Washer	
21	12	12-00045	5/16-18 X 1/2 Whiz Flange Bolt	
22	4	12-00053	5/16-18 Nylock Nut	
23	6	12-00057	1/4-20 Whiz Nut	
24	1	12-00086FK	Harness Conv. to W/P Relay	1
25	1	12-00095	Relay Plug Harness	1
26	1	12-00116	One Inch Grommet	
27	1	12-00130	Top Motor Mount	
28	1	12-02663	5/8" Button Plug	
29	1	12-02683	3/4" Button Plug	
30	1	12-02783	1" Button Plug	
31	2	36-36003	Mounting Brkt, 36000	
32	1	36-36004	Bottom Housing 36000	
33	1	36-36005	Housing, Lid 36000	
34	1	36-36008	Motor Mount Base	
35	1	36-36009	Drier Bracket Top	
36	1	36-36011	Drier Brkt Base	
37	1	40-00005	Top Motor Mount	
38	1	Note 1	Item Not Shown	

UNIT SPECIFICATIONS

BTU'S COOL	AIR FLOW	WEIGHT	MOTOR	CURRENT DRAW	DTAC NO.
33,000	740 CFM	60 LBS	1-12V	12.6 AMPS @ 13.6 VDC	07-36002-12A
"	"	"	1-24V	6.4 AMPS @ 26.8 VDC	07-36002-24A



DTAC- HEAVY EQUIPMENT HEAT/COOL SYSTEMS

TITLE
07-36002-A PARTS BREAKDOWN AND UNIT SPECIFICATIONS

MODELED

JSHAW

DRAWN

justin

DWG NAME

07-36002-A Drawings.idw

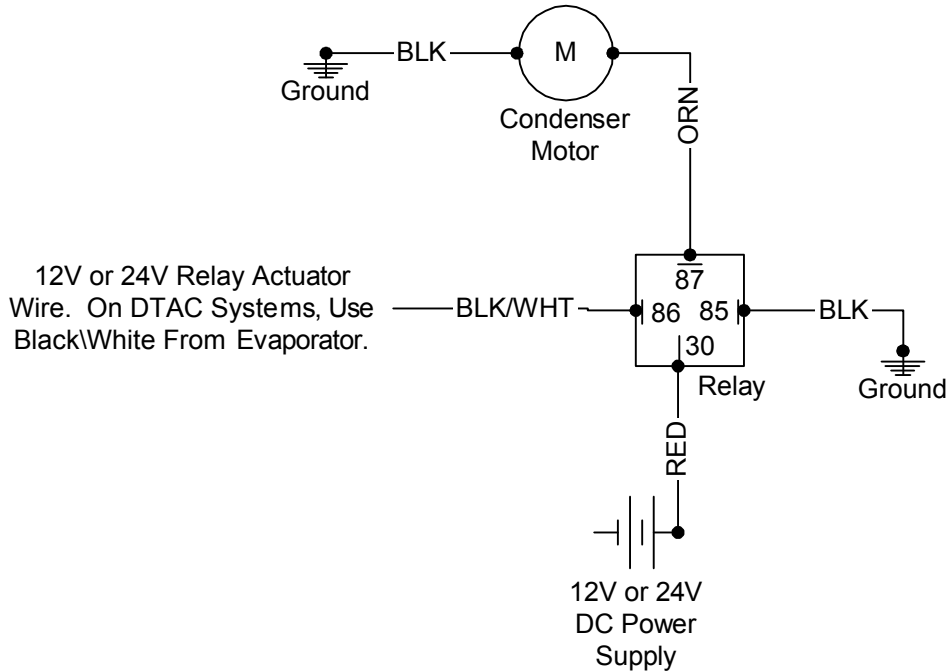
SIZE

B

NOTE: ALL UNITS IN INCHES

SHEET 3 OF 4

07-36002 Series Wiring Diagram



Wire Diagram for Internal Binary Switch on 07-36002 Model Condensers

